

USG  
Ceiling  
Solutions

# ACOUSTICAL CEILING PANELS & ACOUSTICAL SUSPENSION SYSTEMS CATALOG | Q4 2022

**USG**  
IT'S YOUR WORLD. BUILD IT.®

**USG CEILINGS®**  
**USG DONN® BRAND**



Connecting you to valuable USG product and service resources outside this catalog.

# DIGITAL RESOURCE INDEX



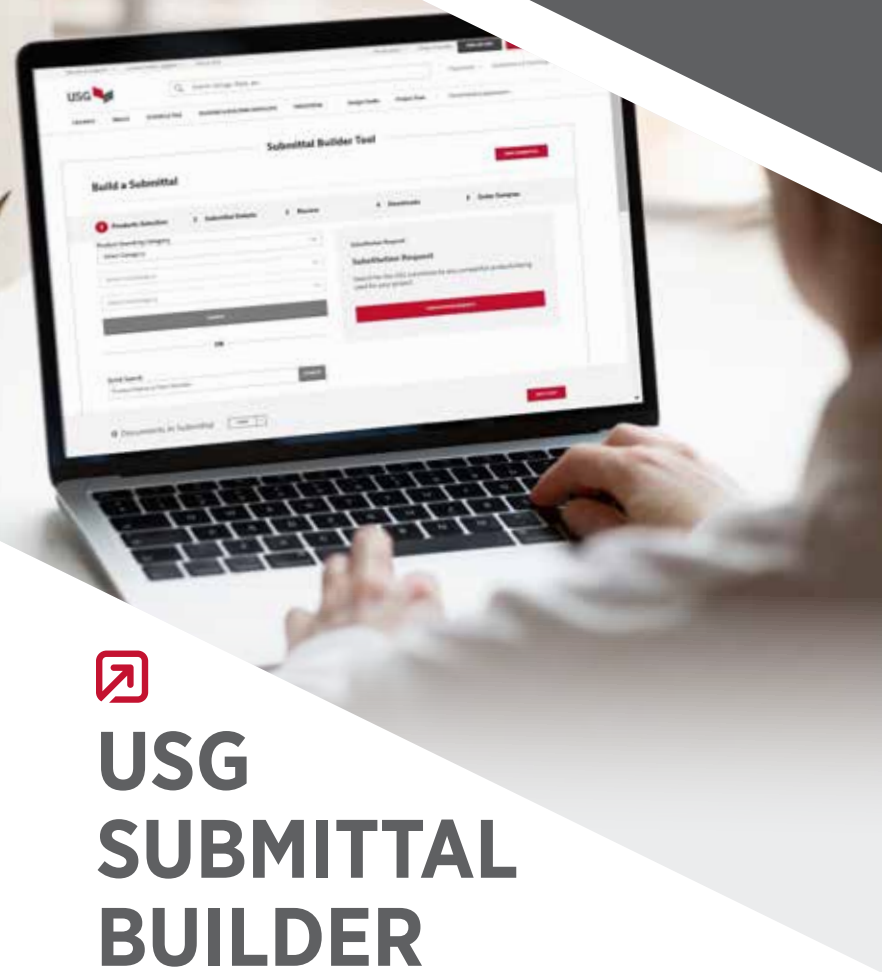
Click on any product in this index to take you directly to that page.

## TABLE OF CONTENTS

USG is the global leader in the manufacturing of ceiling suspension systems and a recognized innovator in the development of acoustical and gypsum panels as well as specialty ceiling systems. We believe that USG Ceiling products should not only bring visions to life, but they should also enhance and inspire those visions while reducing the building industry's impact on the environment.

USG Ceiling Solutions offers an extensive line of acoustical panels, suspension systems, integrated ceiling systems and specialty ceiling systems, and all USG Ceiling products are built to provide design freedom, easy installation and outstanding performance. USG. It's Your World. Build It.™

	Page		Page
<b>USG Acoustical Ceiling Panels</b>	4	USG Acoustic SF™ Acoustical Panels	50
	6	USG Aspen™ Basic Acoustical Panels	52
	8	USG Astro® Acoustical Panels	54
	10	USG Clean Room™ Acoustical Panels	56
	12	USG Eclipse™/Eclipse™ High-NRC Acoustical Panels	58
	14	USG Eclipse™ Illusion™ Acoustical Panels	60
	16	USG "F" Fissured™ Basic Acoustical Panels	62
	18	USG Fissured™ Basic Acoustical Panels	64
	20	USG Frost™ Basic Acoustical Panels	66
	22	USG Frost™/USG Frost™ High-NRC/High-CAC Acoustical Panels	68
	24	USG Glacier™ Basic Acoustical Panels	70
	26	USG Halcyon™/Halcyon™ ECO Acoustical Panels	72
	30	USG Halcyon™ Healthcare	74
	32	USG Halcyon™ Planks And Large Size Acoustical Panels	76
	34	USG Ceilings® Kitchen Lay-In Panel	78
	36	USG Mars™ Acoustical Panels	80
	38	USG Mars™ Healthcare Acoustical Panels	82
	42	USG Mars™ High-NRC/High-CAC Acoustical Panels	84
	46	USG Mars™ Planks/USG Mars™ High-NRC Planks	86
<b>USG Suspension Systems</b>	90	USG Donn® Brand DX®/DXL™ Acoustical Suspension System	112
	92	USG Donn® Brand DX®/DXL™ Concealed Acoustical Suspension System	114
	94	USG Donn® Brand DXW™ Acoustical Suspension System	116
	96	USG Donn® Brand Centricitee™ DXT™/DXLT™ Acoustical Suspension System	118
	98	USG Donn® Brand Fineline® DXF™/DXLF™ Acoustical Suspension System	120
	102	USG Donn® Brand Fineline® 1/8 DXFF™ Acoustical Suspension System	122
	104	USG Donn® Brand Identitee® DXI™ Acoustical Suspension System	124
	108	USG Donn® Brand AX™/AXCE™ Acoustical Suspension System	126
	110	USG Donn® Brand CE™ Acoustical Suspension System	130
			132
		134	
<b>Additional Resources</b>	148	Balanced Acoustics	
	150	USG Acoustical Data	
	152	Acoustical Panel Packaging Data	
	162	Suspension System Packaging Data	
	167	USG Ceiling Solutions Color Program	
	170	System Interface	



## USG SUBMITTAL BUILDER

Your digital advantage to submittal preparation; USG Submittal Builder provides unprecedented access and control of document preparation.

- Quick and easy location of products and related documents
- Perform a competitor comparison directly in the submittal tool
- Combine all related documents into a single .pdf
- Add text, highlight text, draw on and save all these annotations onto the final .pdf
- With one click, move to a pre-populated shopping cart to order samples for all products used in the submittal



### QUICK LINK TO DIGITAL TOOLS

- Contact a Rep
- Technical Support
- Comparison Tool
- Order a Sample
- E-University
- Ceilings Materials Estimators

### ONLINE TOOLS

- Design Studio
- Revit
- Ceiling Technix™ Revit Plugin
- Autodesk
- Gypsum Handbook
- Performance Applications
- Installation Guide

### ACOUSTICAL REFERENCE TOOLS

- Acoustics Matters
- Virtual Acoustic Experience
- Acoustics 101

### SEISMIC CEILINGS RESOURCES

- Seismic Principles
- Standard Applications Guides
- USG Seismic Ceiling Systems

### SUSTAINABILITY REFERENCE TOOLS

- USG Sustainability Tool
- ECOBLEUPRINT®
- Ceiling Recycling Program
- USG 2030 Sustainability Goals



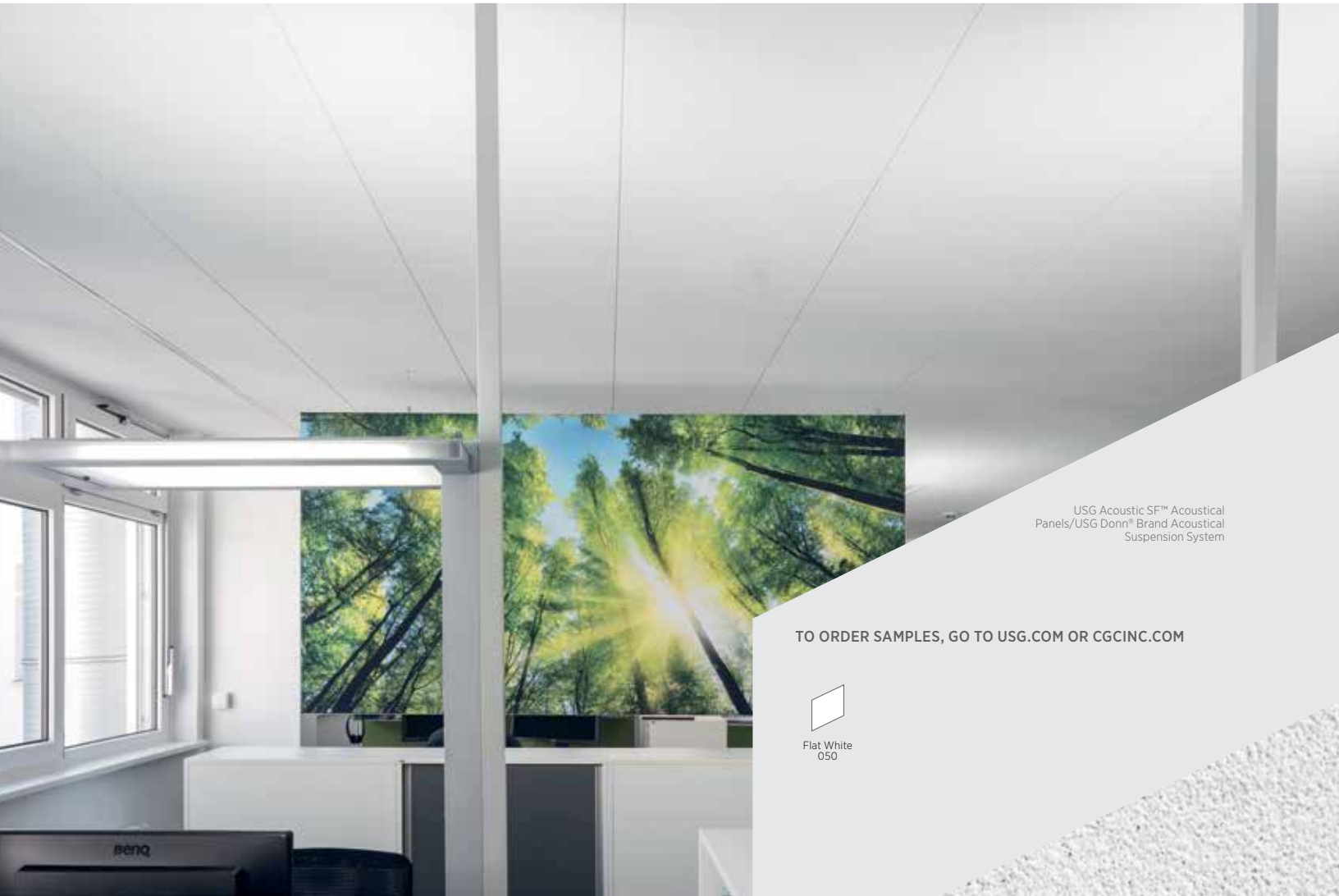
For complete collection of USG Ceilings® products view the USG Ceiling Solutions Catalog (SC2000) on [usg.com/CeilingsCatalog](http://usg.com/CeilingsCatalog)

# TILE & GRID

USG Mars™ Acoustical Panels and Donn® Brand Centricitee™ DXT™/  
DXLT™ 9/16" Acoustical Suspension System  
Lowell Justice Center in Lowell, MA  
Architect: Finegold Alexander Architects, Photo: ©Anton Grassi

# USG ACOUSTIC SF™ ACOUSTICAL PANELS

## CLIMAPLUS™ PERFORMANCE



USG Acoustic SF™ Acoustical Panels/USG Donn™ Brand Acoustical Suspension System

TO ORDER SAMPLES, GO TO [USG.COM](http://USG.COM) OR [CGCINC.COM](http://CGCINC.COM)



Fine-Textured Panel

### FEATURES AND BENEFITS

- Smooth, white finish.
- Monolithic appearance with 1/4" reveal.
- Downward access makes panels ideal for use on jobs with minimal plenum height.
- Excellent sound blocking (CAC).
- ClimaPlus 30-year limited system warranty against visible sag, mold and mildew.

### APPLICATIONS

- Offices and conference rooms
- Areas with limited plenum space
- Renovations (use with existing 15/16" grid)

### SUBSTRATE

- Wet-formed mineral fiber

### USG ACOUSTIC SF™ PANELS

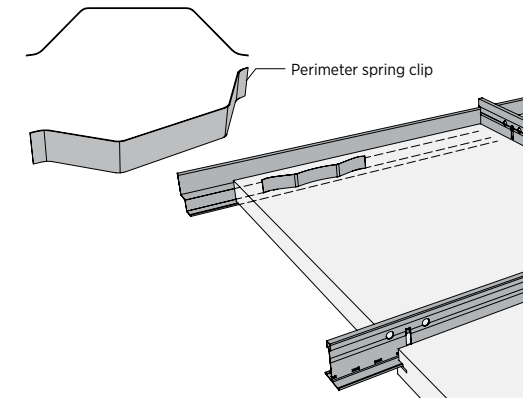
### GRID PROFILE OPTIONS

**A**  
**USGDX®**  
**Semi-Concealed**



### PERIMETER SPRING CLIPS

The perimeter cut tiles are installed and held in place using a perimeter spring clip to ensure they do not move. The spring clip presses the opposite edge of the tile tightly against the grid system ensuring no tile movement at the perimeter.



### PHYSICAL DATA/ FOOTNOTES

#### Product literature

Data sheet: SC3262  
Installation Guide: SC5353

**ASTM E1264 classification**  
Type IV, Form 2, Pattern E

**ASTM E84 and CAN/ULC S102 surface-burning characteristics**  
Class A

Flame spread: 25 or less  
Smoke developed: 50 or less

**Online tools**  
[usgdesignstudio.com](http://usgdesignstudio.com) or  
[cgcdesignstudio.com](http://cgcdesignstudio.com)

#### Weight

1.75 lb./sq. ft.

**Thermal resistance**  
R-1.8

**Maximum backloading**  
See *USG 30-Year Limited System Warranty Commercial Applications (SC2102)*.

#### Maintenance

Can be cleaned easily with a soft brush or vacuum.  
To clean panel, use a clean, white cloth with water or a mild detergent and wipe surface.

#### Notes

1. NRC calculated per ASTM C423, tested per ISO 354.
2. The CAC is estimated from ISO 10848-2 test data. The ISO 10848-2 test method is similar to ASTM E1414 and yields comparable results.
3. LR values are shown as averages.
4. LEED v4/4.1 EQ Low-Emitting Materials contribution requires additional verification by an external lab or third party testing entity.

**Notice**  
The information in this document is subject to change without notice. CGC Inc. or USG Corp. assumes no responsibility for any errors that may inadvertently appear in this document.

SC3262/rev. 6-22  
© 2022 USG Corporation and/or its affiliates. All rights reserved.  
Printed in USA

## USG ACOUSTIC SF™ ACOUSTICAL PANELS

### CLIMAPLUS™ PERFORMANCE

ORDER SAMPLES/LITERATURE  
USG: [usg.com](http://usg.com) or [samplrit@usg.com](mailto:samplrit@usg.com)  
CGC: [contact@salesrepresentative.com](mailto:contact@salesrepresentative.com)

TECHNICAL SERVICES  
800 USG.4YOU (874-4968)

FOR MOST UP-TO-DATE  
TECHNICAL INFORMATION  
AND LEED REPORT TOOL  
[usgdesignstudio.com](http://usgdesignstudio.com)  
[cgcdesignstudio.com](http://cgcdesignstudio.com)



Edge	Panel Size	Fire Rating	Item No.	NRC <sup>1</sup>	CAC Min. <sup>2</sup>	LR <sup>3</sup>	Color	Grid Options	VOC Emissions	Panel Cost
SFAR  Long side  Short side	2'x2'x1"	Class A 	659853	0.70 	35 	0.88 	White	A 	Low 	\$\$\$ 

#### Low Emissions (VOC)<sup>4</sup>

Tested at an internally owned ISO certified lab to meet CA Dept. of Public Health's (CDPH) Standard Method v1.2-2017 (CA Section 01350).

#### ClimaPlus™ Warranty Performance

ClimaPlus™ Performance Ceilings have environmental limitations of 60-104°F (16-40°C) up to 95% RH. Panels shall not show visible sag when installed in a USG Donn® Suspension System, for full details see USG Ceilings Warranty (SC2102).

Manufactured by  
Knauf AMF GmbH & Co. KG  
Elsenthal-Siedlung 15  
94481 Grafenau, Germany

The trademarks ACOUSTIC SF, USG, CGC, CLIMAPLUS, DONN, DX, IT'S YOUR WORLD, BUILD IT, the USG/CGC logo, the design elements and colors, and related marks are trademarks of USG Corporation or its affiliates.

Safety First! Follow good safety/industrial hygiene practices during installation. Wear appropriate personal protective equipment. Read SDS and literature before specification and installation.



# USG ASPEN™ BASIC ACOUSTICAL PANELS



USG Aspen™ Basic Acoustical Panels/  
USG Donn® Brand DX® Acoustical  
Suspension System

TO ORDER SAMPLES, GO TO [USG.COM](http://USG.COM) OR [CGCINC.COM](http://CGCINC.COM)



Medium-Textured Panel

## FEATURES AND BENEFITS

- Random, naturally sculptured appearance offers upscale look without upscale cost.
- Sizes and performance meet most design criteria.
- Suitable for general applications.
- USDA Certified Biobased Product.<sup>4</sup>

## APPLICATIONS

- Schools
- General offices
- Retail stores

## SUBSTRATE

- Wet-formed mineral fiber



PRODUCT CERTIFIED  
FOR LOW CHEMICAL  
EMISSIONS:  
ULCOM/CGG  
UL2818

## USG ASPEN™ BASIC PANELS

## USG ASPEN™ BASIC ILLUSION™ TWO/24 PANELS

## FACE-CUT PATTERNS

## GRID PROFILE OPTIONS

## PHYSICAL DATA/ FOOTNOTES

**Notice**  
The information in this document is subject to change without notice. CGC Inc. or USG Corp. assumes no responsibility for any errors that may inadvertently appear in this document.

**SC1809/rev. 6-22**  
© 2022 USG Corporation and/or its affiliates. All rights reserved. Printed in USA

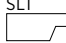
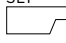
# USG ASPEN™ BASIC ACOUSTICAL PANELS

**ORDER SAMPLES/LITERATURE**  
USG: [usg.com](mailto:usg.com) or [samplrit@usg.com](mailto:samplrit@usg.com)  
CGC: contact Sales Representative

**FOR MOST UP-TO-DATE TECHNICAL INFORMATION AND LEED REPORT TOOL**  
[usgdesignstudio.com](http://usgdesignstudio.com)  
[cgcdesignstudio.com](http://cgcdesignstudio.com)

**TECHNICAL SERVICES**  
800 USG.4YOU (874-4968)



Edge	Panel Size	Fire Rating	Item No.	UL Classified			Color	Grid Options	VOC Emissions	Recycled Content <sup>1</sup>	Panel Cost
				NRC	CAC Min.	LR <sup>2</sup>					
SLT 	2'x2'x3/4"	Class A	650	0.55	35	0.87	White	A	Low	41%	\$\$
	2'x4'x3/4"	Class A	651	0.55	35	0.87	White	A	Low	41%	\$\$
SLT <sup>3</sup> 	2'x4'x3/4"	Class A	652	0.55	35	0.87	White	A	Low	41%	\$\$

## USG Aspen™ Basic Illusion™ Two/24

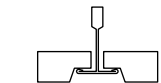


The look of 2'x2' panels

## Low Emissions (VOC)

Third party (GREENGUARD Gold) certified for low-emitting performance, meets California Department of Public Health's (CDPH) Standard Method v1.2 - 2017 (CA Section 01350). 'Certificates of Compliance' for Low VOC Emissions are available at [spot.ul.com](http://spot.ul.com).

## A USG DX®



## Product literature

Data sheet: SC1809

## ASTM E1264 classification

USG Aspen™ Basic: Type III, Form 2,  
Pattern CDFI  
USG Aspen™ Basic Illusion™: Type III, Form 2,  
Pattern CDFIK

## ASTM E84 and CAN/ULC S102

**surface-burning characteristics**  
Class A  
Flame spread: 25 or less  
Smoke developed: 50 or less

## Online tools

[usgdesignstudio.com](http://usgdesignstudio.com) or [cgcdesignstudio.com](http://cgcdesignstudio.com)

## Thermal resistance

R-1.7 (3/4" panels)

## Weight

0.92 lb./sq. ft. (Class A)  
0.92 lb./sq. ft. (Illusion)

## Maximum backloading

See *USG 30-Year Limited System Warranty Commercial Applications (SC2102)*.

## Maintenance

Can be cleaned easily with a soft brush or vacuum.

## Metric sizes available

Contact sales for minimum quantities and lead times.

## Notes

1. For details, see USG Sustainability tool at [usgdesignstudio.com](http://usgdesignstudio.com) or [cgcdesignstudio.com](http://cgcdesignstudio.com).
2. LR values are shown as averages.
3. Panels have a 15/16" routing.
4. This product has achieved both BioPreferred initiatives: Federal Procurement Preference and Certified Product Labeling. See the complete listing of all USG ceiling panels on [biopreferred.gov](http://biopreferred.gov) website.

Manufactured by  
USG Interiors, LLC  
550 West Adams Street  
Chicago, IL 60661

The trademarks USG, CGC, ASPEN, DONN, DX, ILLUSION, IT'S YOUR WORLD, BUILD IT, the USG/CGC logo, the design elements and colors, and related marks are trademarks of USG Corporation or its affiliates.

Safety First! Follow good safety/industrial hygiene practices during installation. Wear appropriate personal protective equipment. Read SDS and literature before specification and installation.



# USG ASTRO® ACOUSTICAL PANELS

CLIMAPLUS™ PERFORMANCE



USG Astro® Acoustical Panels with ClimaPlus™ Performance/USG Donn® Brand Centricitee™ DXT™ Acoustical Suspension System

TO ORDER SAMPLES, GO TO USG.COM OR CGCINC.COM



Flat White 050

## FEATURES AND BENEFITS

- Fine-textured, unperforated and nonfissured appearance offers highly desired aesthetic.
- ClimaPlus™ 30-year limited system warranty against visible sag, mold and mildew.
- Optional Firecode® product designed to meet life-safety codes.

## APPLICATIONS

- Schools
- Hospitals
- Healthcare facilities
- General offices
- Municipal buildings

## SUBSTRATE

- Wet-formed mineral fiber

Fine-Textured Panel



PRODUCT CERTIFIED FOR LOW CHEMICAL EMISSIONS:  
ULCOM/CGG  
UL2818

## USG ASTRO® PANELS

## USG ASTRO® ILLUSION™ TWO/24 PANELS

## GRID PROFILE OPTIONS

## PHYSICAL DATA/ FOOTNOTES

**Notice**  
The information in this document is subject to change without notice. CGC Inc. or USG Corp. assumes no responsibility for any errors that may inadvertently appear in this document.

SC2321/rev. 6-22  
© 2022 USG Corporation and/or its affiliates. All rights reserved. Printed in USA

# USG ASTRO® ACOUSTICAL PANELS

CLIMAPLUS™ PERFORMANCE

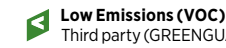


ORDER SAMPLES/LITERATURE  
USG: usg.com or sampllit@usg.com  
CGC: contact Sales Representative

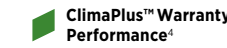
TECHNICAL SERVICES  
800 USG.4YOU (874-4968)

FOR MOST UP-TO-DATE  
TECHNICAL INFORMATION  
AND LEED REPORT TOOL  
usgdesignstudio.com  
cgcdesignstudio.com

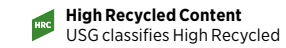
Edge	Panel Size	Fire Rating <sup>2</sup>	Item No.	UL Classified			Color	Grid Options	VOC Emissions	Anti-Mold & Mildew/Sag Resistance	Recycled Content <sup>1</sup>	Panel Cost
				NRC	CAC Min.	LR <sup>3</sup>						
SQ	2'x2'x5/8"	Class A	8221	0.55	35	0.86	White	A,C,D	Low	68%	\$\$	
	2'x2'x3/4"	Class A	8122	0.50	35	0.86	White	B,E	Low	69%	\$\$	
	2'x4'x5/8"	Class A	8241	0.55	35	0.86	White	A,C	Low	68%	\$\$	
SLT	2'x2'x5/8"	Class A	8223	0.55	35	0.86	White	F	Low	68%	\$\$	
	2'x2'x3/4"	Class A	8322	0.50	35	0.86	White	G	Low	69%	\$\$	
	2'x4'x5/8"	Class A	8243	0.55	35	0.86	White	F	Low	68%	\$\$	
FLB	2'x2'x5/8"	Class A	8227	0.55	35	0.86	White	H,J,K,M	Low	68%	\$\$	
	2'x2'x3/4"	Class A	8722	0.50	35	0.86	White	I,L	Low	69%	\$\$	
	2'x4'x5/8"	Class A	8247	0.55	35	0.86	White	H,J,K,M	Low	68%	\$\$	
SLT <sup>5</sup>	2'x4'x3/4"	Class A	8742	0.55	35	0.86	White	F	Low	69%	\$\$	
ILT <sup>6</sup>	2'x4'x3/4"	Class A	8744	0.55	35	0.86	White	N	Low	69%	\$\$	



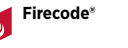
**Low Emissions (VOC)**  
Third party (GREENGUARD Gold) certified for low-emitting performance, meets California Department of Public Health's (CDPH) Standard Method v1.2 - 2017 (CA Section 01350). 'Certificates of Compliance' for Low VOC Emissions are available on usg.com and at spot.ul.com.



**ClimaPlus™ Warranty Performance**  
Contains a broad-spectrum antimicrobial additive on the face and back of the panel that provides resistance against the growth of mold and mildew. Includes sag-resistance performance.



**High Recycled Content**  
USG classifies High Recycled Content as greater than 50%. Total recycled content is based on product composition of postconsumer and preconsumer (postindustrial) recycled content per FTC guidelines.



**Firecode®**  
Optional product designed to meet life-safety codes.

A USG DX®	B USG DXL™	C USG DXW™	D USG Centricitee™ DXT™	E USG Centricitee™ DXLT™	F USG DX®	G USG DXL™	H USG Centricitee™ DXT™	I USG Centricitee™ DXLT™
J USG Fineline® DXF™	K USG Fineline® 1/8 DXFF™	L USG Fineline® DXLF™	M USG Identitee® DXI™	N USG Centricitee™ DXT™				

**Product literature**  
Data sheet: SC2321

**ASTM E1264 classification**  
USG Astro®: Type III, Form 1 and 2, Pattern G;  
USG Astro® Illusion™: Type III, Form 1, Pattern GK

**ASTM E84 and CAN/ULC S102 surface-burning characteristics**  
Class A  
Flame spread: 25 or less  
Smoke developed: 50 or less

**UL Type**  
Astro-FR

**Online tools**  
usgdesignstudio.com or cgcdesignstudio.com

**Weight**  
0.80 lb./sq. ft. (Class A)  
1.04 lb./sq. ft. (Firecode®)

**Thermal resistance**  
R-2.0 (Class A 5/8")  
R-2.4 (Class A 3/4")  
R-2.4 (Firecode® 3/4")

**Maximum backloading**  
See USG 30-Year Limited System Warranty Commercial Applications (SC2102).

**Maintenance**  
Can be cleaned easily with a soft brush or vacuum.

**Texture**  
Because the manufacturing process for USG Astro® ceiling panels can potentially create subtle texture variations, we recommend ordering and installing this product by production lot number.

**Metric sizes available**  
Contact sales for minimum quantities and lead times.

- Notes**
1. For details, see USG Sustainability tool at usgdesignstudio.com or cgcdesignstudio.com.
  2. Fire-rated items: see UL design details.
  3. LR values are shown as averages.
  4. For details, see USG 30-Year Limited System Warranty Commercial Applications (SC2102).
  5. Panels have a 15/16" routing.
  6. Panels have a 9/16" routing.
  7. Maximum 2'x2' with SQ Edge panels.

Manufactured by USG Interiors, LLC 550 West Adams Street Chicago, IL 60661

The trademarks USG, CGC, ASTRO, CENTRICITEE, CLIMAPLUS, DONN, DX, DXF, DXFF, DXI, DXL, DXLF, DXLT, DXT, DXW, FINELINE, FIRECODE, IDENTITEE, ILLUSION, IT'S YOUR WORLD, BUILD IT, the USG/CGC logo, the design elements and colors, and related marks are trademarks of USG Corporation or its affiliates.

Safety First! Follow good safety/industrial hygiene practices during installation. Wear appropriate personal protective equipment. Read SDS and literature before specification and installation.



# USG CLEAN ROOM™ ACOUSTICAL PANELS

CLIMAPLUS™ PERFORMANCE



USG Clean Room™ Class 10M-100M Acoustical Panels with ClimaPlus™ Performance/USG Donn® Brand DXLA™ Acoustical Suspension System

TO ORDER SAMPLES, GO TO USG.COM OR CGCINC.COM



Smooth-Textured Panel, Class 100

Smooth-Textured Perforated Panel, Class 10M-100M



USG CLEAN ROOM™ CLASS 100 (ISO 5) PANELS

USG CLEAN ROOM™ CLASS 10M-100M (ISO 7) PANELS<sup>7</sup>

## GRID PROFILE OPTIONS

## PHYSICAL DATA

**Notice**  
The information in this document is subject to change without notice. CGC Inc. or USG Corp. assumes no responsibility for any errors that may inadvertently appear in this document.

SC1811/rev. 6-22  
© 2022 USG Corporation and/or its affiliates. All rights reserved. Printed in USA

# USG CLEAN ROOM™ ACOUSTICAL PANELS

CLIMAPLUS™ PERFORMANCE

ORDER SAMPLES/LITERATURE  
USG: usg.com or samplit@usg.com  
CGC: contact Sales Representative

TECHNICAL SERVICES  
800 USG.4YOU (874-4968)

FOR MOST UP-TO-DATE  
TECHNICAL INFORMATION  
AND LEED REPORT TOOL  
usgdesignstudio.com  
cgcdesignstudio.com



UL Classified										
Edge <sup>5</sup>	Panel Size	Fire Rating <sup>2</sup>	Item No.	NRC <sup>4</sup>	CAC Min.	LR <sup>3</sup>	Color	Grid Options	Recycled Content <sup>1</sup>	Panel Cost
SQ	2'x2'x5/8" Unperforated		56099	—	35	0.79	White	A,B,C,D,E	55%	\$\$\$
	2'x4'x5/8" Unperforated		56091	—	35	0.79	White	A,B,C,D,E	55%	\$\$\$
SQ	2'x2'x5/8" Perforated		56060	0.55	35	0.79	White	A,B,C,D,E	55%	\$\$\$
	2'x4'x5/8" Perforated		56090	0.55	35	0.79	White	A,B,C,D,E	55%	\$\$\$

### Low Emissions (VOC)

Third party (GREENGUARD Gold) certified for low-emitting performance, meets California Department of Public Health's (CDPH) Standard Method v1.2 - 2017 (CA Section 01350). 'Certificates of Compliance' for Low VOC Emissions are available on usg.com and at spot.ul.com.

### High Recycled Content

USG classifies High Recycled Content as greater than 50%. Total recycled content is based on product composition of postconsumer and preconsumer (postindustrial) recycled content per FTC guidelines.

### Firecode<sup>®</sup>

A USG DXL™	B USG DXLA™	C USG ZXLA™	D USG AX™	E <sup>5</sup> USG CE™

### Product literature

Data sheet: SC1811

**ASTM E1264 classification**  
Class 100: Type X, Pattern GI  
Class 10M-100M: Type X, Pattern CGI

**ASTM E84 and CAN/ULC S102 surface-burning characteristics**  
Class A  
Flame spread: 25 or less  
Smoke developed: 50 or less

**UL Type**  
M

**Weight**  
1.1 lb./sq. ft. (Class 100 panels)  
1.2 lb./sq. ft. (Class 10M-100M panels)

### Online tools

usgdesignstudio.com or cgcdesignstudio.com

**Thermal resistance**  
R-1.6

**Maximum backloading**  
See USG 30-Year Limited System Warranty Commercial Applications (SC2102).

**Maintenance**  
Can be cleaned easily with a damp sponge, mild detergent and water. Do not use acetate, ammonia, or highly concentrated chlorine, bromide or other harsh chemicals.

**Metric sizes available**  
Contact sales for minimum quantities and lead times.

### Notes

- For details, see USG Sustainability tool at usgdesignstudio.com or cgcdesignstudio.com.
- Fire-rated items: see UL design details.
- LR values are shown as averages.
- NRC rating for USG Clean Room™ ClimaPlus™ Class 100 panels is 0.10. USG does not consider a ceiling panel to be acoustically rated if NRC is less than 0.50.
- Field-cut edges of USG Clean Room™ panels may be sealed with white latex paint.
- Clean Room-rated applications require a suspension system with gasketed tee flanges such as USG Donn® Brand CE™.
- Not intended for kitchen/food prep applications. Use unperforated product (Class 100)—item numbers 56099 and 56091.
- This product has achieved both BioPreferred initiatives: Federal Procurement Preference and Certified Product Labeling. See the complete listing of all USG ceiling panels on biopreferred.gov website.

Manufactured by USG Interiors, LLC 550 West Adams Street Chicago, IL 60661

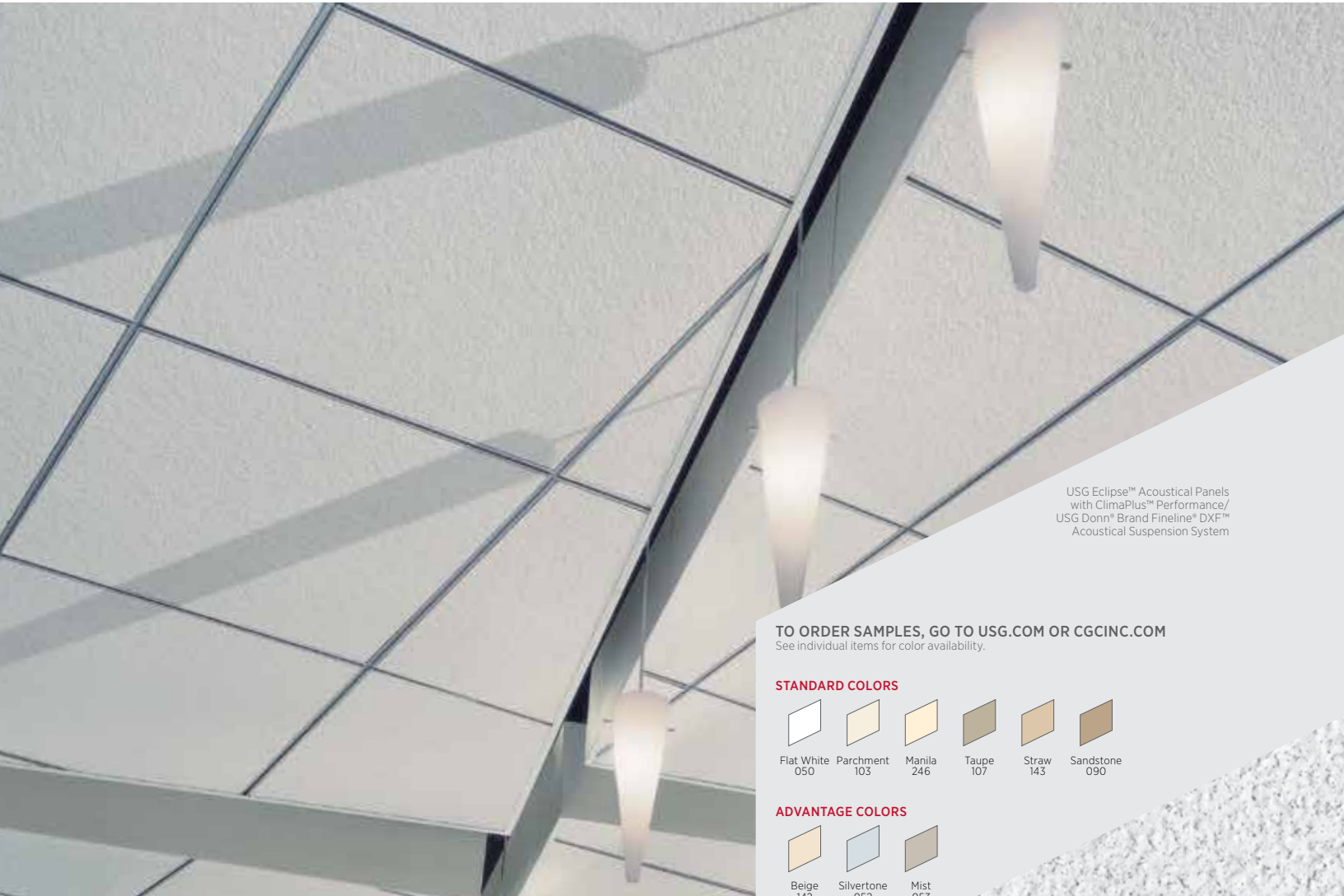
The trademarks USG, CGC, AX, CE, CLEAN ROOM, CLIMAPLUS, DONN, DXL, DXLA, FIRECODE, ZXLA, IT'S YOUR WORLD, BUILD IT, the USG/CGC logo, the design elements and colors, and related marks are trademarks of USG Corporation or its affiliates.

Safety First! Follow good safety/industrial hygiene practices during installation. Wear appropriate personal protective equipment. Read SDS and literature before specification and installation.



# USG ECLIPSE™/ECLIPSE™ HIGH-NRC ACOUSTICAL PANELS

CLIMAPLUS™ PERFORMANCE



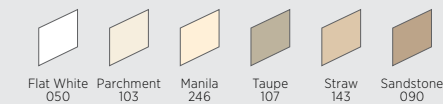
## USG ECLIPSE™ PANELS

## USG ECLIPSE™ HIGH-NRC PANELS

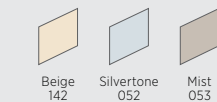
USG Eclipse™ Acoustical Panels with ClimaPlus™ Performance/USG Donn® Brand Fineline® DXF™ Acoustical Suspension System

TO ORDER SAMPLES, GO TO [USG.COM](http://USG.COM) OR [CGCINC.COM](http://CGCINC.COM)  
See individual items for color availability.

### STANDARD COLORS



### ADVANTAGE COLORS



Fine-Textured Panel

### FEATURES AND BENEFITS

- Elegant, fine-textured visual.
- Excellent noise reduction (up to NRC-0.75).
- Balanced Acoustics. High-NRC and High-CAC.
- ClimaPlus™ 30-year limited system warranty against visible sag, mold and mildew.
- USG Eclipse™ Acoustical Panels is part of the Ecoblueprint™ portfolio – meeting today's sustainability standards. For sustainability documentation go to [USG.com](http://USG.com) or [CGCInc.com](http://CGCInc.com).

### APPLICATIONS

- Offices
- Conference areas
- Healthcare (HIPAA requirements)
- Retail stores

### SUBSTRATE

- Wet-formed mineral fiber

**Notice**  
The information in this document is subject to change without notice. CGC Inc. or USG Corp. assumes no responsibility for any errors that may inadvertently appear in this document.

**SC1812/rev. 6-22**  
© 2022 USG Corporation and/or its affiliates. All rights reserved. Printed in USA

# USG ECLIPSE™/ECLIPSE™ HIGH-NRC ACOUSTICAL PANELS

CLIMAPLUS™ PERFORMANCE



ORDER SAMPLES/LITERATURE  
USG: [usg.com](mailto:usg.com) or [samplit@usg.com](mailto:samplit@usg.com)  
CGC: [contact.Sales.Representative](mailto:contact.Sales.Representative)

FOR MOST UP-TO-DATE TECHNICAL INFORMATION AND LEED REPORT TOOL  
[usgdesignstudio.com](http://usgdesignstudio.com)  
[cgcdesignstudio.com](http://cgcdesignstudio.com)



Edge	Panel Size	Fire Rating	Item No.	UL Classified		LR <sup>2</sup>	Color <sup>4</sup>	Grid Options	VOC Emissions	Anti-Mold & Mildew	Recycled Content <sup>1</sup>	Panel Cost
				NRC	CAC							
SQ	2'x2'x3/4"	Class A	76575	0.70	35	0.86	White	A, B, C	Low	Green	79%	\$\$
	2'x4'x3/4"			0.70	35	0.86	White	A, B	Low	Green	79%	\$\$
SLT	2'x2'x3/4"	Class A	76775	0.70	35	0.86	White/Colors	D	Low	Green	79%	\$\$
	600x600x19			0.70	35	0.86	White	D	Low	Green	79%	\$\$
FL	2'x2'x3/4"	Class A	76975	0.70	35	0.86	White/Colors	E, F, G, H	Low	Green	79%	\$\$
	600x600x19			0.70	35	0.86	White	E, F, G, H	Low	Green	79%	\$\$
SQ	2'x2'x7/8"	Class A	76520	0.75	35	0.86	White	A, B, C	Low	Green	80%	\$\$\$
	2'x4'x7/8"			0.75	35	0.86	White	A, B	Low	Green	80%	\$\$\$
SLT	2'x2'x7/8"	Class A	76522	0.75	35	0.86	White	D	Low	Green	80%	\$\$\$
	2'x4'x7/8"			0.75	35	0.86	White	D	Low	Green	80%	\$\$\$
FL	2'x2'x7/8"	Class A	76524	0.75	35	0.86	White	E, F, G, H	Low	Green	80%	\$\$\$
	2'x4'x7/8"			0.75	35	0.86	White	E, F, G, H	Low	Green	80%	\$\$\$

**Low Emissions**  
Third party (GREENGUARD Gold) certified for low-emitting performance, meets California Department of Public Health's (CDPH) Standard Method v1.2 - 2017 (CA Section 01350). 'Certificates of Compliance' for Low VOC Emissions are available on [usg.com](http://usg.com) and at [spot.ul.com](http://spot.ul.com).

**ClimaPlus™ Warranty Performance<sup>3</sup>**  
Contains a broad-spectrum antimicrobial additive on the face and back of the panel that provides resistance against the growth of mold and mildew. Includes sag-resistance performance.

**High Recycled Content**  
USG classifies High Recycled Content as greater than 50%. Total recycled content is based on product composition of postconsumer and preconsumer (postindustrial) recycled content per FTC guidelines.

### GRID PROFILE OPTIONS

A USG DX®	B USG DXW™	C <sup>5</sup> USG Centricitee™ DXT™	D USG DX®	E USG Centricitee™ DXT™	F USG Fineline® DXF™	G USG Fineline® 1/8 DXFF™	H USG Identitee™ DXI™

### PHYSICAL DATA

<b>Product literature</b> Data sheet: SC1812	<b>Imperial weight</b> 1.10-1.19 lb./sq. ft. (Class A panels and tile)	<b>Online tools</b> <a href="http://usgdesignstudio.com">usgdesignstudio.com</a> or <a href="http://cgcdesignstudio.com">cgcdesignstudio.com</a>	<b>Notes</b> 1. For details, see USG Sustainability tool at <a href="http://usgdesignstudio.com">usgdesignstudio.com</a> or <a href="http://cgcdesignstudio.com">cgcdesignstudio.com</a> . 2. LR values shown as averages.
<b>ASTM E1264 classification</b> Type III, Form 1, Pattern EI	<b>Metric weight</b> 5.07 kg/m <sup>2</sup> (Class A panels)	<b>Maintenance</b> Can be cleaned easily with a soft brush or vacuum.	3. For details, see <i>USG 30-Year Limited System Warranty Commercial Applications (SC2102)</i> .
<b>ASTM E84 and CAN/ULC S102 surface-burning characteristics</b> Class A Flame spread: 25 or less Smoke developed: 50 or less	<b>Thermal resistance</b> R-2.0 (Class A)	<b>Metric sizes available</b> Contact sales for minimum quantities and lead times.	4. See Colors selector for more information. Metric: white only.
	<b>Maximum backloading</b> See <i>USG 30-Year Limited System Warranty Commercial Applications (SC2102)</i> .		5. Maximum 2'x2' with SQ edge panels.

Manufactured by USG Interiors, LLC 550 West Adams Street Chicago, IL 60661

The trademarks USG, CGC, CENTRICITEE, CLIMAPLUS, DONN, DX, DXF, DXFF, DXI, DXLF, DXLT, DXT, DXW, ECLIPSE, FINELINE, IDENTITEE, IT'S YOUR WORLD, BUILD IT, the USG/CGC logo, the design elements and colors, and related marks are trademarks of USG Corporation or its affiliates.

Safety First! Follow good safety/industrial hygiene practices during installation. Wear appropriate personal protective equipment. Read SDS and literature before specification and installation.

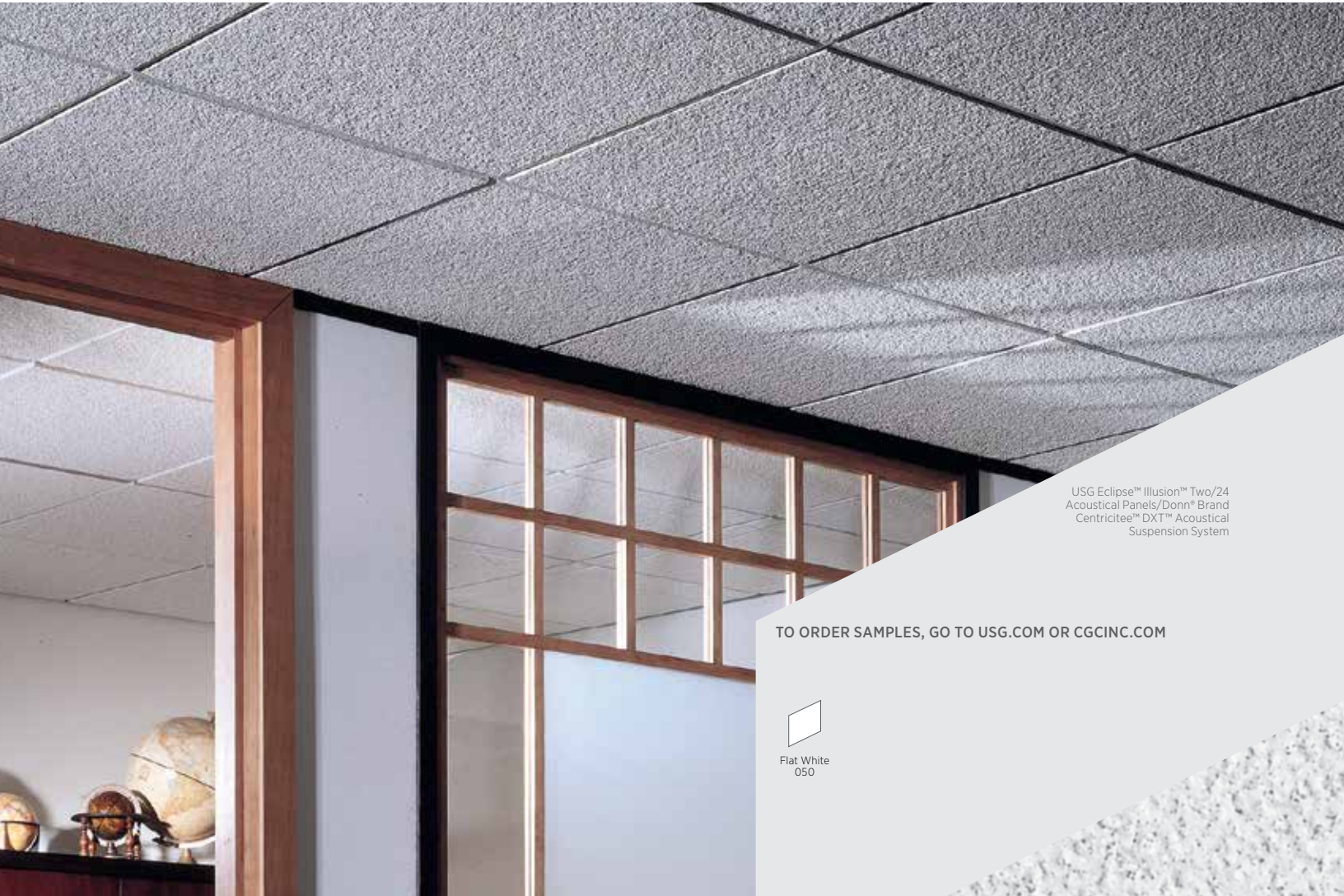


Acoustical Ceiling Panels



# USG ECLIPSE™ ILLUSION™ ACOUSTICAL PANELS

CLIMAPLUS™ PERFORMANCE



USG Eclipse™ Illusion™ Two/24 Acoustical Panels/Donn™ Brand Centricitee™ DXT™ Acoustical Suspension System

TO ORDER SAMPLES, GO TO USG.COM OR CGCINC.COM



Flat White 050

Fine-Textured Panel



## FEATURES AND BENEFITS

- A variety of face scores creates the illusion of a smaller-scaled ceiling system without compromising accessibility.
- Solid NRC performance of up to 0.70 meets general office acoustical needs for sound absorption.
- ClimaPlus™ 30-year limited system warranty against visible sag, mold and mildew.
- USG Eclipse™ Illusion™ Acoustical Panels are part of the Ecoblueprint™ portfolio — meeting today's sustainability standards. For sustainability documentation go to USG.com or CGCInc.com.

## APPLICATIONS

- Boutiques
- Schools
- Reception lobbies
- Transportation terminals

## SUBSTRATE

- Wet-formed mineral fiber



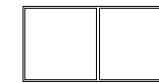
PRODUCT CERTIFIED FOR LOW CHEMICAL EMISSIONS: UL COM/CGG UL 2819

USG ECLIPSE™ ILLUSION™ TWO/24 PANELS

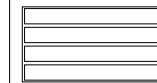
USG ECLIPSE™ ILLUSION™ FOUR/48 PANELS

## PATTERNS

USG Eclipse™ Illusion™ Two/24  
The look of 2'x2' panels

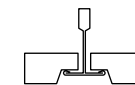


USG Eclipse™ Illusion™ Four/48  
The look of 48"x6" linear strips

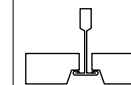


## GRID PROFILE OPTIONS

A  
USG DX™



B  
USG Centricitee™ DXT™



## PHYSICAL DATA

**Product literature**  
Data sheet: SC1846

**ASTM E1264 classification**  
Type III, Form 1, Pattern EIK (USG Eclipse™ Illusion™)

**ASTM E84 and CAN/ULC S102 surface-burning characteristics**  
Class A  
Flame spread: 25 or less  
Smoke developed: 50 or less

**Weight**  
1.10 lb./sq. ft.

**Online tools**  
usgdesignstudio.com or cgcdesignstudio.com

**Thermal resistance**  
R-2.0

**Maximum backloading**  
See USG 30-Year Limited System Warranty Commercial Applications (SC2102).

**Maintenance**  
Can be cleaned easily with a soft brush or vacuum.

**Metric sizes available**  
Contact sales for minimum quantities and lead times.

**Notes**  
1. For details, see USG Sustainability tool at usgdesignstudio.com or cgcdesignstudio.com.

2. LR values are shown as averages.  
3. Panels have a 15/16" routing.

4. Panels have a 9/16" routing.  
5. Panel face and back surfaces treated with a proprietary, broad-spectrum antimicrobial additive that inhibits and retards the growth of mold/mildew. For details, see USG 30-Year Limited System Warranty Commercial Applications (SC2102).

**Notice**  
The information in this document is subject to change without notice. CGC Inc. or USG Corp. assumes no responsibility for any errors that may inadvertently appear in this document.

SC1846/rev. 6-22  
© 2022 USG Corporation and/or its affiliates. All rights reserved. Printed in USA

## USG ECLIPSE™ ILLUSION™ ACOUSTICAL PANELS

CLIMAPLUS™ PERFORMANCE



ORDER SAMPLES/LITERATURE  
USG: usg.com or samplrit@usg.com  
CGC: contact Sales Representative

TECHNICAL SERVICES  
800 USG.4YOU (874-4968)

FOR MOST UP-TO-DATE  
TECHNICAL INFORMATION  
AND LEED REPORT TOOL  
usgdesignstudio.com  
cgcdesignstudio.com



Edge	Panel Size	Fire Rating	Item No.	UL Classified		LR <sup>2</sup>	Color	Grid Options	VOC Emissions	Anti-Mold & Mildew	Recycled Content <sup>1</sup>	Panel Cost
				NRC	CAC Min.							
SLT <sup>3</sup>	2'x4'x3/4"	Class A	78785	0.70	35	0.84	White	A	Low	✓	80%	\$\$
ILT <sup>4</sup>	2'x4'x3/4"	Class A	78085	0.70	35	0.84	White	B	Low	✓	80%	\$\$
SLT <sup>3</sup>	2'x4'x3/4"	Class A	78711	0.70	35	0.84	White	A	Low	✓	80%	\$\$
ILT <sup>4</sup>	2'x4'x3/4"	Class A	78011	0.70	35	0.84	White	B	Low	✓	80%	\$\$

**Low Emissions (VOC)**  
Third party (GREENGUARD Gold) certified for low-emitting performance, meets California Department of Public Health's (CDPH) Standard Method v1.2 - 2017 (CA Section 01350). 'Certificates of Compliance' for Low VOC Emissions are available on usg.com and at spot.ul.com.

**ClimaPlus™ Warranty Performance<sup>5</sup>**  
Contains a broad-spectrum antimicrobial additive on the face and back of the panel that provides resistance against the growth of mold and mildew. Includes sag-resistance performance.

**High Recycled Content**  
USG classifies High Recycled Content as greater than 50%. Total recycled content is based on product composition of postconsumer and preconsumer (postindustrial) recycled content per FTC guidelines.

Manufactured by USG Interiors, LLC 550 West Adams Street Chicago, IL 60661

The trademarks USG, CGC, CENTRICITEE, CLIMAPLUS, DONN, DX, DXT, ECLIPSE, IDENTITEE, ILLUSION, IT'S YOUR WORLD, BUILD IT, the USG/CGC logo, the design elements and colors, and related marks are trademarks of USG Corporation or its affiliates.

Safety First! Follow good safety/industrial hygiene practices during installation. Wear appropriate personal protective equipment. Read SDS and literature before specification and installation.



# USG "F" FISSURED™ BASIC ACOUSTICAL PANELS



USG "F" Fissured™ Basic Acoustical Panels/USG Donn® Brand Centricitee™ DXT™ Acoustical Suspension System



USG "F" FISSURED™ BASIC PANELS

## GRID PROFILE OPTIONS

TO ORDER SAMPLES, GO TO USG.COM OR CGCINC.COM



Flat White 050



Limited color options available. See Ceiling Solutions Color Program for details.

Medium-Textured Panel

## PHYSICAL DATA/ FOOTNOTES

**Notice**  
The information in this document is subject to change without notice. CGC Inc. or USG Corp. assumes no responsibility for any errors that may inadvertently appear in this document.

SC1816/rev. 6-22  
© 2022 USG Corporation and/or its affiliates. All rights reserved. Printed in USA

# USG "F" FISSURED™ BASIC ACOUSTICAL PANELS

ORDER SAMPLES/LITERATURE  
USG: usg.com or samplit@usg.com  
CGC: contact Sales Representative

TECHNICAL SERVICES  
800 USG.4YOU (874-4968)

FOR MOST UP-TO-DATE TECHNICAL INFORMATION AND LEED REPORT TOOL  
usgdesignstudio.com  
cgcdesignstudio.com



Edge	Panel Size	Fire Rating	Item No.	UL Classified			Color	Grid Options	VOC Emissions	Abuse Resistant	Recycled Content¹	Panel Cost
				NRC	CAC Min.	LR²						
SQ	2'x2'x3/4" Paper-Back	Class A	131	0.70	35	0.79	White	A,B,C	Low	Abuse Resistant	66%	\$\$\$
	2'x4'x3/4" Paper-Back	Class A	135	0.70	35	0.79	White	A,B	Low	Abuse Resistant	66%	\$\$\$
SL	2'x2'x3/4" Paper-Back	Class A	132	0.70	35	0.79	White	D	Low	Abuse Resistant	66%	\$\$\$
	2'x4'x3/4" Paper-Back	Class A	136	0.70	35	0.79	White	D	Low	Abuse Resistant	66%	\$\$\$
FL	2'x2'x3/4" Paper-Back	Class A	133	0.70	35	0.79	White	E,F,G,H	Low	Abuse Resistant	66%	\$\$\$

### Low Emissions (VOC)

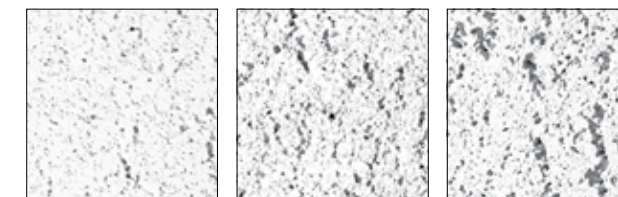
Third party (GREENGUARD Gold) certified for low-emitting performance, meets California Department of Public Health's (CDPH) Standard Method v1.2 - 2017 (CA Section 01350). Certificates of Compliance for Low VOC Emissions are available on usg.com and at spot.ul.com.

### High Recycled Content

USG classifies High Recycled Content as greater than 50%. Total recycled content is based on product composition of postconsumer and preconsumer (postindustrial) recycled content per FTC guidelines.

### Abuse Resistant

A USG DX*	B USG DXW™	C² USG Centricitee™ DXT™	D USG DX*	E USG Centricitee™ DXT™	F USG Fineline® DXF™	G USG Fineline® 1/8 DXFF™	H USG Identitee® DXI™



Composite of USG "F" Fissured™ Basic ceiling products shows range to be expected in a production lot and possibly in the same panel or tile. Ranges are random and cannot be specified. Texture appearance will vary based on ceiling height, installation methods and natural variations of the product.

**Product literature**  
Data sheet: SC1816

**ASTM E1264 classification**  
Type III, Form 4, Pattern D

**ASTM E84 and CAN/ULC S102 surface-burning characteristics**  
Class A  
Flame spread: 25 or less  
Smoke developed: 50 or less

**Weight**  
1.70 lb./sq. ft.

**Online tools**  
usgdesignstudio.com or cgcdesignstudio.com

**Thermal resistance**  
R-1.7

**Maximum backloading**  
See USG 30-Year Limited System Warranty Commercial Applications (SC2102).

**Maintenance**  
Can be cleaned easily with a soft brush or vacuum.

**Texture**  
The manufacturing process for cast ceiling panels creates natural, subtle texture variations, which is a distinguishing feature of these products. Because of potential variances between production dates, we recommend ordering and installing cast products by production lot number.

### Notes

- For details, see USG Sustainability tool at usgdesignstudio.com or cgcdesignstudio.com.
- LR values are shown as averages.
- Maximum 2'x2' with SQ edge panels.
- This product has achieved both BioPreferred initiatives: Federal Procurement Preference and Certified Product Labeling. See the complete listing of all USG ceiling panels on biopreferred.gov website.
- Select custom color panels are available in limited sizes and edge profiles. Minimum order quantities apply. Please contact your local sales representative for availability, pricing, minimum order quantities and lead times.

## FEATURES AND BENEFITS

- Balanced Acoustics. NRC and CAC.
- Cast product with durable surface that resists scrapes commonly caused by accessing the ceiling plenum.
- VOC emissions meet CA Specification 01350.
- USDA Certified Biobased Product.<sup>4</sup>
- USG "F" Fissured™ Basic Acoustical Panels are part of the Ecoblueprint™ portfolio — meeting today's sustainability standards. For sustainability documentation go to USG.com or CGCInc.com.

## APPLICATIONS

- Administrative offices
- Schools
- Financial institutions
- Religious buildings

## SUBSTRATE

- Cast mineral fiber

Manufactured by USG Interiors, LLC 550 West Adams Street Chicago, IL 60661

The trademarks USG, CGC, CENTRICITEE, DONN, DX, DXF, DXFF, DXI, DXT, DXW, "F" FISSURED, FINELINE, IDENTITEE, IT'S YOUR WORLD, BUILD IT., the USG/CGC logo, the design elements and colors, and related marks are trademarks of USG Corporation or its affiliates.

Safety First! Follow good safety/industrial hygiene practices during installation. Wear appropriate personal protective equipment. Read SDS and literature before specification and installation.



# USG FISSURED™ BASIC ACOUSTICAL PANELS



USG Fissured™ Basic Acoustical Panels/USG Donn® Brand DX® Acoustical Suspension System



## USG FISSURED™ BASIC PANELS

### GRID PROFILE OPTIONS

### PHYSICAL DATA/ FOOTNOTES

TO ORDER SAMPLES, GO TO [USG.COM](http://USG.COM) OR [CGCINC.COM](http://CGCINC.COM)



Medium-Textured Panel



### FEATURES AND BENEFITS

- Economical, all-purpose ceiling pattern available in various panel sizes.
- Optional Firecode® product designed to meet life-safety codes.

### APPLICATIONS

- Administrative offices
- Corridors
- Mass merchandisers
- Convenience stores

### SUBSTRATE

- Wet-formed mineral fiber

**Notice**  
The information in this document is subject to change without notice. CGC Inc. or USG Corp. assumes no responsibility for any errors that may inadvertently appear in this document.

SC1815/rev. 6-22  
© 2022 USG Corporation and/or its affiliates. All rights reserved. Printed in USA

# USG FISSURED™ BASIC ACOUSTICAL PANELS

ORDER SAMPLES/LITERATURE  
USG: [usg.com](http://usg.com) or [sampllit@usg.com](mailto:sampllit@usg.com)  
CGC: contact Sales Representative  
TECHNICAL SERVICES  
800 USG.4YOU (874-4968)

FOR MOST UP-TO-DATE  
TECHNICAL INFORMATION  
AND LEED REPORT TOOL  
[usgdesignstudio.com](http://usgdesignstudio.com)  
[cgcdesignstudio.com](http://cgcdesignstudio.com)



Edge	Panel Size	Fire Rating <sup>2</sup>	Item No.	UL Classified			Color	Grid Options	VOC Emissions	Recycled Content <sup>1</sup>	Panel Cost
				NRC	CAC Min.	LR <sup>3</sup>					
SQ 	2'x2'x5/8"	Class A	560	0.55	33	0.81	White	A,C,D	Low	24-25%	\$
	2'x2'x5/8"		585	0.55	35	0.81	White	B,E	Low	48-49%	\$
	2'x4'x5/8"	Class A	562	0.55	35	0.81	White	A,C	Low	24-25%	\$
	2'x4'x5/8"		586	0.55	35	0.81	White	B	Low	48-49%	\$
SLT 	2'x2'x5/8"	Class A	506	0.55	33	0.81	White	F	Low	24-25%	\$
	2'x4'x5/8"	Class A	507	0.55	35	0.81	White	F	Low	24-25%	\$

### Low Emissions (VOC)

Third party (GREENGUARD Gold) certified for low-emitting performance, meets California Department of Public Health's (CDPH) Standard Method v1.2 - 2017 (CA Section 01350). 'Certificates of Compliance' for Low VOC Emissions are available on [usg.com](http://usg.com) and at [spot.ul.com](http://spot.ul.com).

### High Recycled Content

USG classifies High Recycled Content as greater than 50%. Total recycled content is based on product composition of postconsumer and preconsumer (postindustrial) recycled content per FTC guidelines.

### Firecode®

A USG DX®	B USG DXL™	C USG DXW™	D* USG Centricitee™ DX™	E* USG Centricitee™ DXLT™	F USG DX®

**Product literature**  
Data sheet: SC1815

### ASTM E1264 classification

Type III, Form 2, Pattern CD

### ASTM E84 and CAN/ULC S102

surface-burning characteristics

Class A

Flame spread: 25 or less

Smoke developed: 50 or less

UL Type

FR-2

FR-83

### Online tools

[usgdesignstudio.com](http://usgdesignstudio.com) or [cgcdesignstudio.com](http://cgcdesignstudio.com)

### Weight

0.62-0.64 lb./sq. ft. (Class A)

1.09-1.11 lb./sq. ft. (Firecode®)

### Thermal resistance

R-1.4 (Class A)

R-1.6 (Firecode®)

### Maximum backloading

See *USG 30-Year Limited System Warranty Commercial Applications* (SC2102).

### Maintenance

Can be cleaned easily with a soft brush or vacuum.

### Metric sizes available

Contact sales for minimum quantities and lead times.

### Notes

1. For details, see USG Sustainability tool at [usgdesignstudio.com](http://usgdesignstudio.com) or [cgcdesignstudio.com](http://cgcdesignstudio.com).

2. Fire-rated items: see UL design details.

3. LR values are shown as averages.

4. Maximum 2'x2' with SQ edge panels.

Manufactured by  
USG Interiors, LLC  
550 West Adams Street  
Chicago, IL 60661

The trademarks USG, CGC, CENTRICITEE, DONN, DX, DXL, DXLT, DXT, DXW, FIRECODE, FISSURED, IT'S YOUR WORLD. BUILD IT., the USG/CGC logo, the design elements and colors, and related marks are trademarks of USG Corporation or its affiliates.

Safety First! Follow good safety/industrial hygiene practices during installation. Wear appropriate personal protective equipment. Read SDS and literature before specification and installation.



# USG FROST™ BASIC ACOUSTICAL PANELS



USG Frost™ Basic Acoustical Panels/USG Donn® Brand Fineline® DXF™ Acoustical Suspension System

TO ORDER SAMPLES, GO TO USG.COM OR CGCINC.COM



Flat White 050



Limited color options available. See Ceiling Solutions Color Program for details.

Fine-Textured Panel

## FEATURES AND BENEFITS

- Balanced Acoustics. NRC and CAC.
- Excellent combination of noise reduction (NRC-0.70) and sound attenuation (CAC-40).
- VOC emissions meet CA Specification 01350.
- USDA Certified Biobased Product.<sup>4</sup>
- Damage-resistant panels with impact resistance (ASTM C367) and integral color help to reduce the overall cost of ownership.
- USG Frost™ Basic Acoustical Panels are part of the Ecoblueprint™ portfolio — meeting today's sustainability standards. For sustainability documentation go to USG.com or CGCInc.com.

## APPLICATIONS

- Healthcare (HIPAA requirements)
- Open or closed offices
- Media centers
- Libraries
- Schools (ANSI S12.60 classroom guidelines)

## SUBSTRATE

- Cast mineral fiber



PRODUCT CERTIFIED FOR LOW CHEMICAL EMISSIONS: ULCOM/CG UL2818

## USG FROST™ BASIC PANELS

## GRID PROFILE OPTIONS

## PHYSICAL DATA/ FOOTNOTES

**Notice**  
The information in this document is subject to change without notice. CGC Inc. or USG Corp. assumes no responsibility for any errors that may inadvertently appear in this document.

SC1817/rev. 6-22  
© 2022 USG Corporation and/or its affiliates. All rights reserved. Printed in U.S.A.

# USG FROST™ BASIC ACOUSTICAL PANELS

ORDER SAMPLES/LITERATURE  
USG: usg.com or samplrit@usg.com  
CGC: contact Sales Representative

TECHNICAL SERVICES  
800 USG.4YOU (874-4968)

FOR MOST UP-TO-DATE TECHNICAL INFORMATION AND LEED REPORT TOOL  
usgdesignstudio.com  
cgcdesignstudio.com



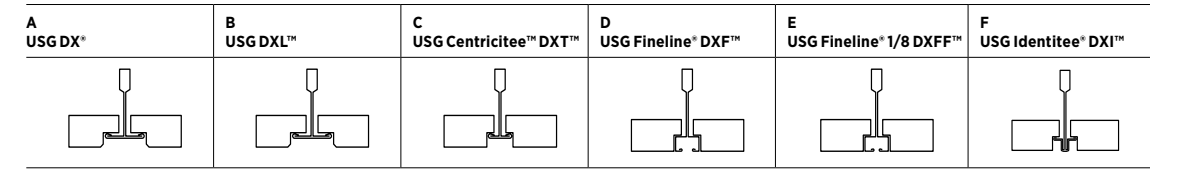
Edge	Panel Size	Fire Rating <sup>2</sup>	Item No.	UL Classified			Color	Grid Options	VOC Emissions	Abuse Resistant	Recycled Content <sup>1</sup>	Panel Cost
				NRC	CAC Min.	LR <sup>3</sup>						
SLB	2'x2'x7/8" Foil-Back	Class A	440	0.70	40	0.84	White	A	Low	Abuse Resistant	69%	\$\$\$
	2'x2'x3/4" Paper-Back	Class A	415	0.55	35	0.84	White	B	Low	Abuse Resistant	71%	\$\$\$
	2'x4'x3/4" Paper-Back	Class A	450	0.70	38	0.84	White	A	Low	Abuse Resistant	69%	\$\$\$
FL	2'x4'x3/4" Paper-Back	Class A	460	0.70	38	0.84	White	C,D,E,F	Low	Abuse Resistant	69%	\$\$\$

**Low Emissions (VOC)**  
Third party (GREENGUARD Gold) certified for low-emitting performance, meets California Department of Public Health's (CDPH) Standard Method v1.2 - 2017 (CA Section 01350). 'Certificates of Compliance' for Low VOC Emissions are available on usg.com and at spot.ul.com.

**High Recycled Content**  
USG classifies High Recycled Content as greater than 50%. Total recycled content is based on product composition of postconsumer and preconsumer (postindustrial) recycled content per FTC guidelines.

**Firecode®**  
USG classifies High Recycled Content as greater than 50%. Total recycled content is based on product composition of postconsumer and preconsumer (postindustrial) recycled content per FTC guidelines.

**Abuse Resistant**



**Product literature**  
Data sheet: SC1817

**ASTM E1264 classification**  
Type III, Form 4, Pattern E

**ASTM E84 and CAN/ULC S102 surface-burning characteristics**  
Class A  
Flame spread: 25 or less  
Smoke developed: 50 or less

**UL Type**  
AP, AP-1, AP-2, AP-3

**Weight**  
1.51-1.72 lb./sq. ft.

**Online tools**  
usgdesignstudio.com or cgcdesignstudio.com

**Thermal resistance**  
R-1.7 (Class A)  
R-1.1 (Firecode®)

**Maximum backloading**  
See USG 30-Year Limited System Warranty Commercial Applications (SC2102).

**Maintenance**  
Can be cleaned easily with a soft brush or vacuum.

**Impact resistance**  
ASTM C367—tested to min. 190 lb./sq. ft. for 1/4" depression by a 2" steel ball.

**Texture**  
The manufacturing process for cast ceiling panels creates natural, subtle texture variations, which is a distinguishing feature of these products. Because of potential variances between production dates, we recommend ordering and installing cast products by production lot number.

**Environmental conditions**  
All USG limited warranties are subject to use under normal conditions. Abnormal conditions include exposure to chemical fumes, vibrations, moisture from conditions such as leaks or condensation, excessive humidity due to shutoff of HVAC system, or excessive dirt or dust buildup.

**Notes**

1. For details, see USG Sustainability tool at usgdesignstudio.com or cgcdesignstudio.com.
2. Fire-rated items: see UL design details.
3. LR values are shown as averages.
4. This product has achieved both BioPreferred initiatives: Federal Procurement Preference and Certified Product Labeling. See the complete listing of all USG ceiling panels on biopreferred.gov website.
5. Select custom color panels are available in limited sizes and edge profiles. Minimum order quantities apply. Please contact your local sales representative for availability, pricing, minimum order quantities and lead times.

Manufactured by USG Interiors, LLC 550 West Adams Street Chicago, IL 60661

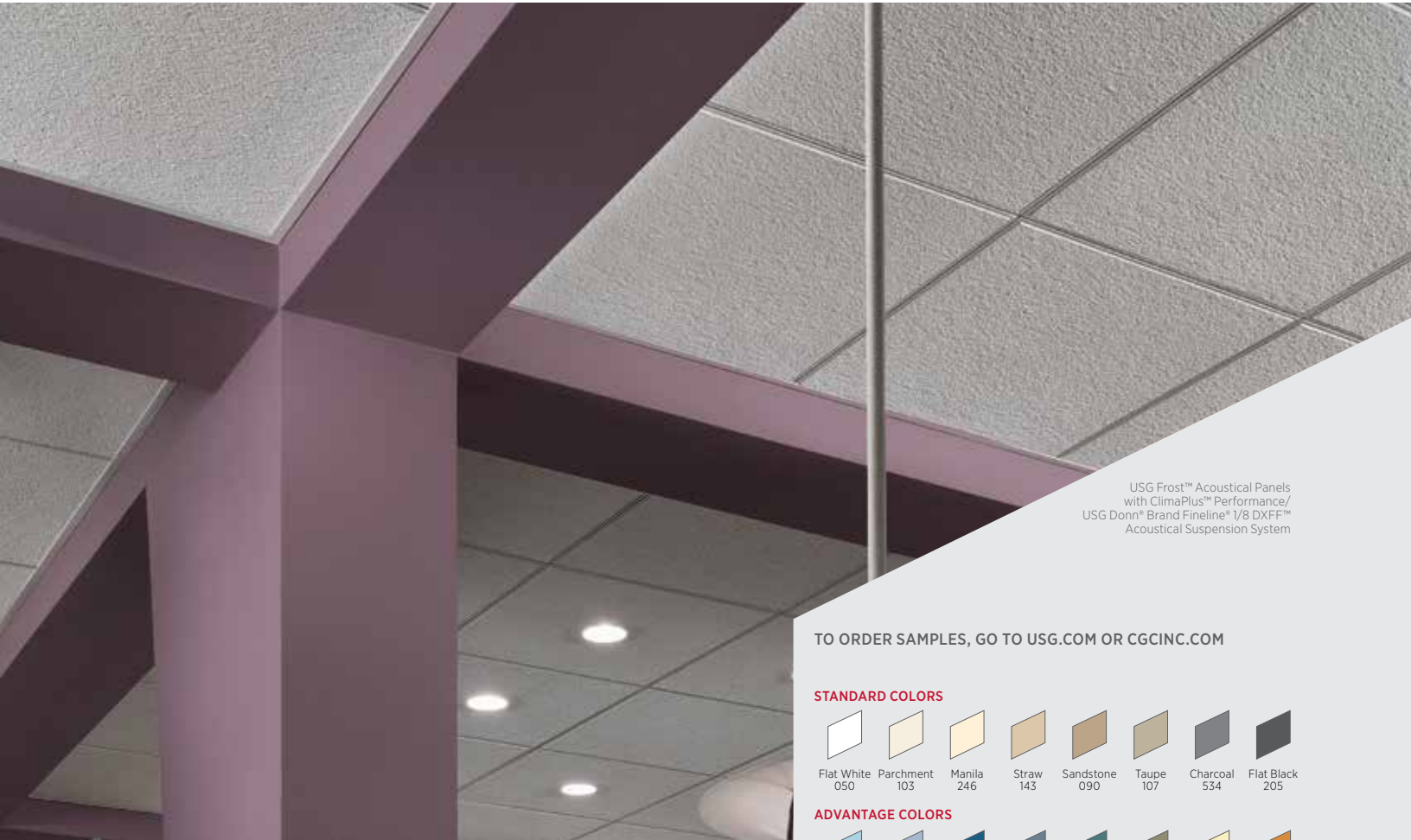
The trademarks USG, CGC, CENTRICITEE, DONN, DX, DXF, DXFF, DXI, DXL, DXT, FINELINE, FIRECODE, FROST, IDENTITEE, IT'S YOUR WORLD, BUILD IT, the USG/CGC logo, the design elements and colors, and related marks are trademarks of USG Corporation or its affiliates.

Safety First! Follow good safety/industrial hygiene practices during installation. Wear appropriate personal protective equipment. Read SDS and literature before specification and installation.



# USG FROST™/USG FROST™ HIGH-NRC/ HIGH-CAC ACOUSTICAL PANELS

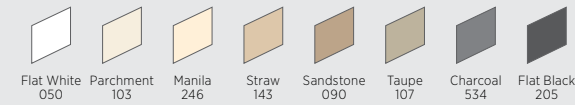
CLIMAPLUS™ PERFORMANCE



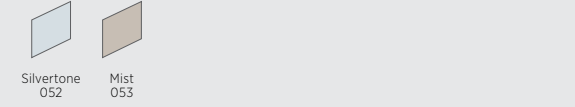
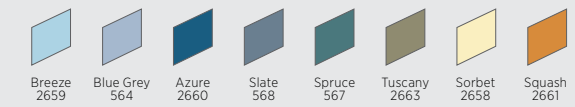
USG Frost™ Acoustical Panels with ClimaPlus™ Performance/USG Donn® Brand Fineline™ 1/8 DXFF™ Acoustical Suspension System

TO ORDER SAMPLES, GO TO [USG.COM](http://USG.COM) OR [CGCINC.COM](http://CGCINC.COM)

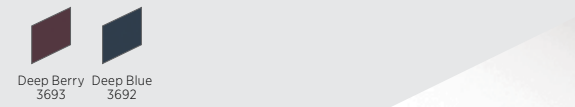
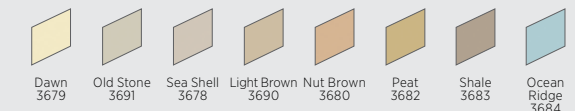
### STANDARD COLORS



### ADVANTAGE COLORS



### PREMIUM COLORS



### FEATURES AND BENEFITS

- Balanced Acoustics. High-NRC and High-CAC.
- Excellent combination of noise reduction (up to NRC-0.80) and sound attenuation (up to CAC-40) for use in mixed (open-plan/closed-plan) office design.
- VOC emissions meet CA Specification 01350.
- USDA Certified Biobased Product.<sup>6</sup>
- High light-reflective finish (up to LR-0.89) reduces light fixtures and energy use.
- Damage-resistant panels with impact resistance (ASTM C367) and integral color help to reduce the overall cost of ownership.
- ClimaPlus™ 30-year limited system warranty against visible sag, mold and mildew.
- USG Frost™/USG Frost™ High-NRC/High-CAC Acoustical Panels are part of the Ecoblueprint™ portfolio — meeting today's sustainability standards. For sustainability documentation go to [USG.com](http://USG.com) or [CGCinc.com](http://CGCinc.com).

### APPLICATIONS

- Healthcare (HIPAA requirements)
- Schools (ANSI S12.60 classroom guidelines)
- Government projects (ACOE performance requirements)
- Mixed office design
- Closed- or open-plan offices
- Media centers/libraries

### SUBSTRATE

- Cast mineral fiber



### USG FROST™ PANELS

### USG FROST™ HIGH-NRC/ HIGH-CAC PANELS

### USG FROST™ HIGH-LR PANELS

### GRID PROFILE OPTIONS

### PHYSICAL DATA/ FOOTNOTES

**Notice**  
The information in this document is subject to change without notice. CGC Inc. or USG Corp. assumes no responsibility for any errors that may inadvertently appear in this document.

**SC1968/rev. 6-22**  
© 2022 USG Corporation and/or its affiliates. All rights reserved. Printed in U.S.A.

# USG FROST™/USG FROST™ HIGH-NRC/ HIGH-CAC ACOUSTICAL PANELS

CLIMAPLUS™ PERFORMANCE



ORDER SAMPLES/LITERATURE  
USG: [usg.com](mailto:usg.com) or [samplit@usg.com](mailto:samplit@usg.com)  
CGC: [contact.Sales.Representative](mailto:contact.Sales.Representative)

TECHNICAL SERVICES  
800 USG.4YOU (874-4968)

FOR MOST UP-TO-DATE  
TECHNICAL INFORMATION  
AND LEED REPORT TOOL  
[usgdesignstudio.com](http://usgdesignstudio.com)  
[cgcdesignstudio.com](http://cgcdesignstudio.com)



ECOBLEUPRINT

### UL Classified

Edge	Panel Size	Fire Rating	Item No.	NRC	CAC Min.²	LR³	Color⁴	Grid Options	VOC Emissions	Anti-Mold & Mildew	Abuse Resistant	Recycled Content¹	Panel Cost
SLB	2'x2'x3/4" Paper-Back	Class A	414	0.70	36	0.84	White Standard Advantage Premium	A	Low			69%	\$\$\$
FL	2'x2'x3/4" Paper-Back	Class A	418	0.70	38/40	0.84	White Standard Advantage Premium	B,C,D,E	Low			69%	\$\$\$
FLB	2'x2'x3/4" Paper-Back	Class A	419	0.70	38/40	0.84	White Standard Advantage Premium	F,G,H,I	Low			69%	\$\$\$
SLB	2'x2'x7/8" Paper-Back	Class A	484	0.80	38	0.89	White	A	Low			69%	\$\$\$
FL	2'x2'x7/8" Paper-Back	Class A	488	0.80	38/40	0.89	White	B,C,D,E	Low			69%	\$\$\$
FLB	2'x2'x7/8" Paper-Back	Class A	489	0.80	38/40	0.89	White	F,G,H,I	Low			69%	\$\$\$
SLB	2'x2'x3/4" Paper-Back	Class A	490	0.75	35	0.89	White	A	Low			69%	\$\$\$
FLB	2'x2'x3/4" Paper-Back	Class A	491	0.75	35	0.89	White	F,G,H,I	Low			69%	\$\$\$

### Low Emissions (VOC)

Third party (GREENGUARD Gold) certified for low-emitting performance, meets California Department of Public Health's (CDPH) Standard Method v1.2 - 2017 (CA Section 01350). 'Certificates of Compliance' for Low VOC Emissions are available on [usg.com](http://usg.com) and at [spot.ul.com](http://spot.ul.com).

### ClimaPlus™ Warranty Performance⁵

Contains a broad-spectrum antimicrobial additive on the face and back of the panel that provides resistance against the growth of mold and mildew. Includes sag-resistance performance.

### High Recycled Content

USG classifies High Recycled Content as greater than 50%. Total recycled content is based on product composition of postconsumer and preconsumer (postindustrial) recycled content per FTC guidelines.

### Abuse Resistant

A USG DX®	B USG Centricitee™ DXT™	C USG Fineline® DXF™	D USG Fineline® 1/8 DXFF™	E USG Identitee® DXI™	F USG Centricitee™ DXT™	G USG Fineline® DXF™	H USG Fineline® 1/8 DXFF™	I USG Identitee® DXI™

**Product literature**  
Data sheet: SC1968

**ASTM E1264 classification**  
Type III, Form 4, Pattern E

**ASTM E84 and CAN/ULC S102 surface-burning characteristics**  
Class A  
Flame spread: 25 or less  
Smoke developed: 50 or less

**Weight**  
1.51-1.86 lb./sq. ft.

**Thermal resistance**  
R-1.7

**Online tools**  
[usgdesignstudio.com](http://usgdesignstudio.com) or [cgcdesignstudio.com](http://cgcdesignstudio.com)

**Maximum backloading**  
See *USG 30-Year Limited System Warranty Commercial Applications* (SC2102).

**Maintenance**  
Can be cleaned easily with a soft brush or vacuum.

**Texture**  
The manufacturing process for cast ceiling panels creates natural, subtle texture variations, which is a distinguishing feature of these products. Because of potential variances between production dates, we recommend ordering and installing cast products by production lot number.

### Notes

1. For details, see USG Sustainability tool at [usgdesignstudio.com](http://usgdesignstudio.com) or [cgcdesignstudio.com](http://cgcdesignstudio.com).
2. Item Nos. 418, 419, 488 and 489 achieve 40 CAC when installed with USG Donn® Brand Fineline® or Fineline 1/8 suspension system.
3. LR values are shown as averages.
4. See Colors selector for more information.
5. For details, see *USG 30-Year Limited System Warranty Commercial Applications* (SC2102).
6. This product has achieved both BioPreferred initiatives: Federal Procurement Preference and Certified Product Labeling. See the complete listing of all USG ceiling panels on [biopreferred.gov](http://biopreferred.gov) website.
7. Select custom color panels are available in limited sizes and edge profiles. Minimum order quantities apply. Please contact your local sales representative for availability, pricing, minimum order quantities and lead times.

Manufactured by USG Interiors, LLC 550 West Adams Street Chicago, IL 60661

The trademarks USG, CGC, CENTRICITEE, CLIMAPLUS, DONN, DX, DXF, DXFF, DXI, DXL, DXT, FINELINE, FROST, IDENTITEE, IT'S YOUR WORLD, BUILD IT, the USG/CGC logo, the design elements and colors, and related marks are trademarks of USG Corporation or its affiliates

Safety First! Follow good safety/industrial hygiene practices during installation. Wear appropriate personal protective equipment. Read SDS and literature before specification and installation.



# USG GLACIER™ BASIC ACOUSTICAL PANELS



USG Glacier™ Basic Acoustical Panels/USG Donn® Brand Fineline® 1/8 DXFF™ Acoustical Suspension System



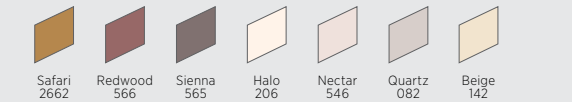
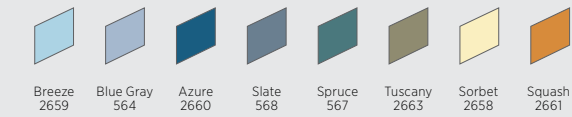
## USG GLACIER™ BASIC PANELS

TO ORDER SAMPLES, GO TO [USG.COM](http://USG.COM) OR [CGCINC.COM](http://CGCINC.COM)

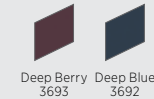
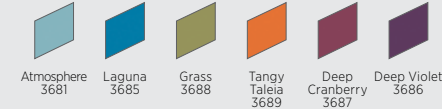
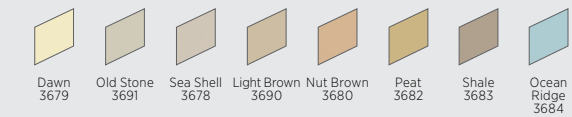
### STANDARD COLORS



### ADVANTAGE COLORS



### PREMIUM COLORS



Limited color options available. See Ceiling Solutions Color Program for details.

### FEATURES AND BENEFITS

- Heavily textured cast product with durable surface that resists scrapes commonly caused by accessing the ceiling plenum.
- VOC emissions meet CA Specification 01350.
- USDA Certified Biobased Product.<sup>5</sup>
- Integral color masks nicks and scratches and enhances lifelong panel appearance.
- Optional Firecode® product designed to meet life-safety codes.
- USG Glacier™ Basic Acoustical Panels are part of the Ecoblueprint™ portfolio — meeting today's sustainability standards. For sustainability documentation go to [USG.com](http://USG.com) or [CGCInc.com](http://CGCInc.com).

### APPLICATIONS

- Food courts
- Hospitality
- Libraries
- Restaurants

### SUBSTRATE

- Cast mineral fiber

### GRID PROFILE OPTIONS

### PHYSICAL DATA

**Notice**  
The information in this document is subject to change without notice. CGC Inc. or USG Corp. assumes no responsibility for any errors that may inadvertently appear in this document.

SC1819/rev. 6-22  
© 2022 USG Corporation and/or its affiliates. All rights reserved. Printed in USA

# USG GLACIER™ BASIC ACOUSTICAL PANELS

ORDER SAMPLES/LITERATURE  
USG: [usg.com](mailto:usg.com) or [sampllit@usg.com](mailto:sampllit@usg.com)  
CGC: contact Sales Representative

TECHNICAL SERVICES  
800 USG.4YOU (874-4968)

FOR MOST UP-TO-DATE  
TECHNICAL INFORMATION  
AND LEED REPORT TOOL  
[usgdesignstudio.com](http://usgdesignstudio.com)  
[cgcdesignstudio.com](http://cgcdesignstudio.com)



Edge	Panel Size	Fire Rating <sup>2</sup>	Item No.	UL Classified			Color <sup>4</sup>	Grid Options	VOC Emissions	Abuse Resistant	Recycled Content <sup>1</sup>	Panel Cost
				NRC	CAC Min.	LR <sup>3</sup>						
SL 	2'x2'x3/4" Paper-Back	Class A	707	0.65	35	0.70	White Standard Advantage Premium	A	Low		69%	\$\$\$
	2'x2'x3/4" Paper-Back		715	0.65	35	0.70	White	B	Low		71%	\$\$\$
	2'x4'x3/4" Paper-Back	Class A	711	0.65	35	0.70	White	A	Low		69%	\$\$\$
FL 	2'x2'x3/4" Paper-Back	Class A	708	0.65	35	0.70	White Standard Advantage Premium	C, D, E, F	Low		69%	\$\$\$

### Low Emissions (VOC)

Third party (GREENGUARD Gold) certified for low-emitting performance, meets California Department of Public Health's (CDPH) Standard Method v1.2 - 2017 (CA Section 01350). 'Certificates of Compliance' for Low VOC Emissions are available on [usg.com](http://usg.com) and at [spot.ul.com](http://spot.ul.com).

### High Recycled Content

USG classifies High Recycled Content as greater than 50%. Total recycled content is based on product composition of postconsumer and preconsumer (postindustrial) recycled content per FTC guidelines.

### Firecode®

Abuse Resistant

A USG DX®	B USG DXL™	C USG Centricitee™ DXT™	D USG Fineline® DXF™	E USG Fineline® 1/8 DXFF™	F USG Identitee® DXI™

**Product literature**  
Data sheet: SC1819

**ASTM E1264 classification**  
Type III, Form 4, Pattern F

**ASTM E84 and CAN/ULC S102 surface-burning characteristics**  
Class A  
Flame spread: 25 or less  
Smoke developed: 50 or less

**UL Type**  
AP, AP-1, AP-2, AP-3

**Weight**  
1.47 lb./sq. ft. (Class A panels)  
1.52 lb./sq. ft. (Firecode® panel)

**Online tools**  
[usgdesignstudio.com](http://usgdesignstudio.com) or [cgcdesignstudio.com](http://cgcdesignstudio.com)

**Thermal resistance**  
R-1.7 (Class A)  
R-1.3 (Firecode®)

**Maximum backloading**  
See *USG 30-Year Limited System Warranty Commercial Applications* (SC2102).

**Maintenance**  
Can be cleaned easily with a soft brush or vacuum.

**Texture**  
The manufacturing process for cast ceiling panels creates natural, subtle texture variations, which is a distinguishing feature of these products. Because of potential variances between production dates, we recommend ordering and installing cast products by production lot number.

### Notes

1. For details, see USG Sustainability tool at [usgdesignstudio.com](http://usgdesignstudio.com) or [cgcdesignstudio.com](http://cgcdesignstudio.com).
2. Fire-rated items; see UL design details.
3. LR values are shown as averages.
4. See Colors selector for more information.
5. This product has achieved both BioPreferred initiatives: Federal Procurement Preference and Certified Product Labeling. See the complete listing of all USG ceiling panels on [biopreferred.gov](http://biopreferred.gov) website.
6. Select custom color panels are available in limited sizes and edge profiles. Minimum order quantities apply. Please contact your local sales representative for availability, pricing, minimum order quantities and lead times.

Manufactured by  
USG Interiors, LLC  
550 West Adams Street  
Chicago, IL 60661

The trademarks USG, CGC, CENTRICITEE, DONN, DX, DXF, DXFF, DXI, DXL, DXT, FINELINE, FIRECODE, GLACIER, IDENTITEE, IT'S YOUR WORLD, BUILD IT, the USG/CGC logo, the design elements and colors, and related marks are trademarks of USG Corporation or its affiliates.

Safety First! Follow good safety/industrial hygiene practices during installation. Wear appropriate personal protective equipment. Read SDS and literature before specification and installation.



# USG HALCYON™ / HALCYON™ ECO ACOUSTICAL PANELS

CLIMAPLUS™ PERFORMANCE WITH PLANT-BASED BINDER



USG Halcyon™ Acoustical Panels with ClimaPlus™ Performance/USG Donn® Brand Fineline® 1/8 DXFF™ Acoustical Suspension System

TO ORDER SAMPLES, GO TO USG.COM OR CGCINC.COM



Limited color options available. See Ceiling Solutions Color Program for details.

Fine-Textured Panel

### FEATURES AND BENEFITS

- Exceptional noise reduction with NRC values up to 1.00 and Articulation Class values up to 200 for open-plan offices.
- High light-reflective finish (LR-0.90) reduces light fixtures and energy use.
- Washable and scrubbable finish.
- Impact and scratch resistant.
- Coordinates visually with USG Mars™ for open/closed-plan applications.
- Compatible with USG Logix™ Integrated Ceiling Systems.
- Nondirectional, monolithic visual reduces installation time and waste.
- ClimaPlus™ 30-year limited system warranty against visible sag, mold and mildew.
- Balanced Acoustics. High NRC & High CAC with backer options.
- Halcyon™ ECO is part of the Ecoblueprint portfolio – meeting today's sustainability standards. For sustainability documentation go to USG.com or CGCInc.com.
- Halcyon™ ECO is manufactured with a plant-based binder.
- Halcyon™ ECO is GREENGUARD Gold Certified for low emitting performance.

### APPLICATIONS

- Open-plan offices
- Indirect lighting
- Libraries
- Media rooms
- Waiting rooms (addresses HIPAA standards)

### SUBSTRATE

- Fiberglass

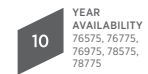
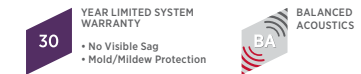


USG HALCYON™  
ACOUSTICAL PANELS

USG HALCYON™ ECO  
ACOUSTICAL PANELS  
Plant-Based Binder

## USG HALCYON™ / HALCYON™ ECO ACOUSTICAL PANELS

CLIMAPLUS™ PERFORMANCE



ORDER SAMPLES/LITERATURE  
USG: usg.com or samplit@usg.com  
CGC: contact Sales Representative

FOR MOST UP-TO-DATE  
TECHNICAL INFORMATION  
AND LEED REPORT TOOL  
usgdesignstudio.com  
cgcdesignstudio.com

TECHNICAL SERVICES  
800 USG.4YOU (874-4968)

Declare® Labels on select products, see usg.com for more details and documentation.

UL Classified												
Edge	Panel Size <sup>2</sup>	Fire Rating	Item No.	NRC	CAC Min.	LR <sup>3</sup>	Color	Grid Options	VOC Emissions	Anti-Mold & Mildew/Sag Resistance	Recycled Content <sup>1</sup>	Panel Cost
SQ	2'x2'x3/4"	Class A	97221	0.90	20	0.90	White	A, B, C	—	□	38%	\$\$\$\$
	2'x4'x3/4"	Class A	97241	0.90	20	0.90	White	A, B	—	□	38%	\$\$\$\$
	2'x2'x1"	Class A	98221	0.95	20	0.90	White	A, B, C	—	□	40%	\$\$\$\$
	2'x2'x1" Foil-Back	Class A	88221	0.90	30	0.90	White	A, B, C	—	□	37%	\$\$\$\$
	2'x4'x1"	Class A	98241	0.95	20	0.90	White	A, B	—	□	40%	\$\$\$\$
	2'x4'x1" Foil-Back	Class A	88223	0.90	30	0.90	White	A, B	—	□	37%	\$\$\$\$
	30"x30"x1"	Class A	98331	0.95	20	0.90	White	A, B	—	□	40%	\$\$\$\$
	30"x60"x1"	Class A	97266	0.95	20	0.90	White	A, B	—	□	40%	\$\$\$\$
	2'x4'x1-1/2"	Class A	99241	1.00	25	0.90	White	A, B	—	□	42%	\$\$\$\$
	2'x4'x1-1/2" Foil-Back	Class A	88224	0.95	30	0.90	White	A, B	—	□	39%	\$\$\$\$
	2'x2'x1-1/2"	Class A	99221	1.00	25	0.90	White	A, B, C	—	□	42%	\$\$\$\$
	2'x2'x1-1/2" Foil-Back	Class A	97356	0.95	30	0.90	White	A,B,C	—	□	39%	\$\$\$\$
SQ	2'x2'x1"	Class A	97312	0.95	20	0.90	White	A, B, C	Low	□	34%	\$\$\$\$
	2'x4'x1"	Class A	97313	0.95	20	0.90	White	A, B	Low	□	34%	\$\$\$\$
	4'x4x1"	Class A	97314	0.95	20	0.90	White	A, B	Low	□	34%	\$\$\$\$

**ClimaPlus™ Warranty Performance<sup>4</sup>**  
Fiberglass substrate is inherently resistant to the growth of mold and mildew. Includes sag-resistance performance.

**Low Emissions (VOC)**  
Third party (GREENGUARD Gold) certified for low-emitting performance, meets California Department of Public Health's (CDPH) Standard Method v1.2 - 2017 (CA Section 01350). 'Certificates of Compliance' for Low VOC Emissions are available on usg.com and at spot.ul.com.

Acoustical Ceiling Panels

# USG HALCYON™/HALCYON™ ECO ACOUSTICAL PANELS

CLIMAPLUS™ PERFORMANCE

ORDER SAMPLES/LITERATURE  
USG: usg.com or samplit@usg.com  
CGC: contact Sales Representative

FOR MOST UP-TO-DATE  
TECHNICAL INFORMATION  
AND LEED REPORT TOOL  
usgdesignstudio.com  
cgcdesignstudio.com

TECHNICAL SERVICES  
800 USG.4YOU (874-4968)



Declare® Labels on select products, see usg.com for more details and documentation.



# USG HALCYON™/HALCYON™ ECO ACOUSTICAL PANELS

CLIMAPLUS™ PERFORMANCE

ORDER SAMPLES/LITERATURE  
USG: usg.com or samplit@usg.com  
CGC: contact Sales Representative

FOR MOST UP-TO-DATE  
TECHNICAL INFORMATION  
AND LEED REPORT TOOL  
usgdesignstudio.com  
cgcdesignstudio.com

TECHNICAL SERVICES  
800 USG.4YOU (874-4968)



Declare® Labels on select products, see usg.com for more details and documentation.

## USG HALCYON™ ACOUSTICAL PANELS

Edge	Panel Size <sup>2</sup>	Fire Rating	Item No.	UL Classified			Color	Grid Options	VOC Emissions	Anti-Mold & Mildew/Sag Resistance	Recycled Content <sup>1</sup>	Panel Cost
				NRC	CAC Min.	LR <sup>3</sup>						
SL	2'x2'x1"	Class A	98223	0.95	20	0.90	White	D	—	40%	\$\$\$\$	
	2'x2'x1" Foil-Back	Class A	88225	0.90	30	0.90	White	D	—	37%	\$\$\$\$	
	2'x4'x1"	Class A	98243	0.95	20	0.90	White	D	—	40%	\$\$\$\$	
	2'x4'x1" Foil-Back	Class A	88226	0.90	30	0.90	White	D	—	37%	\$\$\$\$	
	30"x30"x1"	Class A	98333	0.95	20	0.90	White	D	—	40%	\$\$\$\$	
	30"x60"x1"	Class A	99270	0.95	20	0.90	White	D	—	40%	\$\$\$\$	
	2'x2'x1-1/2"	Class A	99223	1.00	25	0.90	White	D	—	42%	\$\$\$\$	
	2'x2'x1-1/2" Foil-Back	Class A	97357	0.95	30	0.90	White	D	—	39%	\$\$\$\$	
	2'x4'x1-1/2" Foil-Back	Class A	97358	0.95	30	0.90	White	D	—	39%	\$\$\$\$	
SL	2'x2'x1"	Class A	97315	0.95	20	0.90	White	D	Low	34%	\$\$\$\$	
	2'x4'x1"	Class A	97316	0.95	20	0.90	White	D	Low	34%	\$\$\$\$	
	4'x4'x1"	Class A	97317	0.95	20	0.90	White	D	Low	34%	\$\$\$\$	

**ClimaPlus™ Warranty Performance\***  
Fiberglass substrate is inherently resistant to the growth of mold and mildew. Includes sag-resistance performance.

**Low Emissions (VOC)**  
Third party (GREENGUARD Gold) certified for low-emitting performance, meets California Department of Public Health's (CDPH) Standard Method v1.2 - 2017 (CA Section 01350). 'Certificates of Compliance' for Low VOC Emissions are available on usg.com and at spot.ul.com.

## USG HALCYON™ ECO ACOUSTICAL PANELS

Plant-Based Binder

## USG HALCYON™ ACOUSTICAL PANELS

## USG HALCYON™ ECO ACOUSTICAL PANELS

Plant-Based Binder

Edge	Panel Size <sup>2</sup>	Fire Rating	Item No.	UL Classified			Color	Grid Options	VOC Emissions	Anti-Mold & Mildew/Sag Resistance	Recycled Content <sup>1</sup>	Panel Cost
				NRC	CAC Min.	LR <sup>3</sup>						
FL	2'x2'x1"	Class A	98225	0.95	20	0.90	White	E, F, G, H	—	40%	\$\$\$\$	
	2'x2'x1" Foil-Back	Class A	88227	0.90	30	0.90	White	E, F, G, H	—	37%	\$\$\$\$	
	2'x4'x1"	Class A	98245	0.95	20	0.90	White	E, F, G, H	—	40%	\$\$\$\$	
	2'x4'x1" Foil-Back	Class A	97368	0.90 <sup>7</sup>	30*	0.90	White	E, F, G, H	—	37%	\$\$\$\$	
	30"x30"x1"	Class A	98335	0.95	20	0.90	White	E, F, G, H	—	40%	\$\$\$\$	
	30"x60"x1"	Class A	98336	0.95	20	0.90	White	E, F, G, H	—	40%	\$\$\$\$	
	2'x2'x1-1/2"	Class A	99225	1.00	25	0.90	White	E, F, G, H	—	42%	\$\$\$\$	
	2'x2'x1-1/2" Foil-Back	Class A	97359	0.95 <sup>7</sup>	30*	0.90	White	E, F, G, H	—	39%	\$\$\$\$	
	FL	2'x2'x1"	Class A	97318	0.95	20	0.90	White	E, F, G, H	Low	34%	\$\$\$\$
2'x4'x1"		Class A	97319	0.95	20	0.90	White	E, F, G, H	Low	34%	\$\$\$\$	
2'x5'x1"		Class A	97340	0.95	20	0.90	White	E, F, G, H	Low	34%	\$\$\$\$	
2'x6'x1"		Class A	97341	0.95	20	0.90	White	E, F, G, H	Low	34%	\$\$\$\$	
2'x8'x1"		Class A	97342	0.95	20	0.90	White	E, F, G, H	Low	34%	\$\$\$\$	
4'x4'x1"	Class A	97320	0.95	20	0.90	White	E, F, G, H	Low	34%	\$\$\$\$		

**ClimaPlus™ Warranty Performance\***  
Fiberglass substrate is inherently resistant to the growth of mold and mildew. Includes sag-resistance performance.

**Low Emissions (VOC)**  
Third party (GREENGUARD Gold) certified for low-emitting performance, meets California Department of Public Health's (CDPH) Standard Method v1.2 - 2017 (CA Section 01350). 'Certificates of Compliance' for Low VOC Emissions are available on usg.com and at spot.ul.com.

### GRID PROFILE OPTIONS

A USG DX*	B USG DXW™	C <sup>5</sup> USG Centricitee™ DXT™	D USG DX*	E USG Centricitee™ DXT™	F USG Fineline® DXF™	G USG Fineline® 1/8 DXFF™	H USG Identitee® DXI™

### PHYSICAL DATA/ FOOTNOTES

<p><b>Product literature</b> Data sheet: SC2365</p> <p><b>ASTM E1264 classification</b> Type XII, Form 2, Pattern E &amp; G</p> <p><b>ASTM E84 and CAN/ULC S102 surface-burning characteristics</b> Class A Flame spread: 25 or less Smoke developed: 50 or less</p> <p><b>Online tools</b> usgdesignstudio.com or cgcdesignstudio.com</p>	<p><b>Weight</b> 0.28 lb./sq. ft. (3/4" panels) 0.40 lb./sq. ft. (1" panels) 0.59 lb./sq. ft. (1-1/2" panels)</p> <p><b>Thermal resistance</b> R-3.3 (3/4" panels), R-4.4 (1" panels) R-6.6 (1-1/2" panels)</p> <p><b>Maximum backloading</b> See USG 30-Year Limited System Warranty Commercial Applications (SC2102).</p>	<p><b>Maintenance</b> Can be cleaned easily with a soft brush or vacuum. To clean panel, use a clean, white cloth with water or a mild detergent and wipe surface.</p> <p><b>Treating field-cut reveal edges</b> All field-cut edges "exposed to view" should be colored to match the factory finish. USG Halcyon™ Touch-up Edge Paint is recommended when perimeter field cuts expose the substrate.</p> <p><b>Metric sizes available</b> Contact sales for minimum quantities and lead times.</p>	<p><b>Notes</b></p> <ol style="list-style-type: none"> <li>For details, see USG Sustainability tool at usgdesignstudio.com or cgcdesignstudio.com.</li> <li>Custom-size panels available. Please contact your USG or CGC sales representative for details.</li> <li>LR values are shown as averages.</li> <li>For details, see USG 30-Year Limited System Warranty Commercial Applications (SC2102).</li> <li>Maximum 2'x2' with SQ edge panels.</li> <li>Select custom color panels are available in limited sizes and edge profiles. Minimum order quantities apply. Please contact your local sales representative for availability, pricing, minimum order quantities and lead times.</li> <li>Tested in accordance with ASTM C423 in USG Acoustical Test Facility (NVLAP Lab Code: 200132-0); not UL classified for acoustics.</li> <li>Tested in accordance with ASTM E1414 in USG Acoustical Test Facility (NVLAP Lab Code: 200132-0); not UL classified for acoustics.</li> </ol>
--	---	---	---

**Notice**  
The information in this document is subject to change without notice. CGC Inc. or USG Corp. assumes no responsibility for any errors that may inadvertently appear in this document.

SC2365/rev. 6-22  
© 2022 USG Corporation and/or its affiliates. All rights reserved. Printed in USA

Manufactured by USG Interiors, LLC  
550 West Adams Street  
Chicago, IL 60661

The trademarks USG, CGC, CENTRICITEE, CLIMAPLUS, DONN, DX, DXF, DXFF, DXI, DXT, DXW, FINELINE, HALCYON, IDENTITEE, LOGIX, MARS, IT'S YOUR WORLD, BUILD IT., the USG/CGC logo, the design elements and colors, and related marks are trademarks of USG Corporation or its affiliates.

Safety First! Follow good safety/industrial hygiene practices during installation. Wear appropriate personal protective equipment. Read SDS and literature before specification and installation.





# USG HALCYON™ HEALTHCARE ACOUSTICAL PANELS

CLIMAPLUS™ PERFORMANCE



USG Halcyon™ Healthcare Acoustical Panels with ClimaPlus™ Performance/USG Donn® Brand DX® Acoustical Suspension System

TO ORDER SAMPLES, GO TO USG.COM OR CGCINC.COM



## FEATURES AND BENEFITS

- Water-repellent membrane safe with common disinfectants.\*
- Washable, scrubbable, soil-resistant finish. Impact and scratch resistant.
- Acoustics and cleanliness exceed FGI guidelines for healthcare.
- Meets USDA/FSIS guidelines for use in food-processing areas.
- Achieves FDA standards for smoothness, durability and cleanliness.
- Meets requirements of California Building Code table 1224.1, level 2.
- Coordinates visually with USG Mars™ and USG Halcyon™
- High light-reflective finish (LR-0.90) reduces light fixtures and energy use.
- High sound absorption NRC (0.95-1.00) AC 190 helps address HIPAA standards.
- ClimaPlus™ 30-year limited system warranty against visible sag, mold and mildew.

## APPLICATIONS

- Patient rooms
- Nurses' stations
- Laboratories
- Lavatories/restrooms
- Kitchen/food-prep areas

## SUBSTRATE

- Fiberglass

Fine-Textured Panel

## USG HALCYON™ HEALTHCARE PANELS

## USG HALCYON™ HEALTHCARE PANELS

## USG HALCYON™ HEALTHCARE PANELS

## GRID PROFILE OPTIONS

## PHYSICAL DATA/ FOOTNOTES

**Notice**  
The information in this document is subject to change without notice. CGC Inc. or USG Corp. assumes no responsibility for any errors that may inadvertently appear in this document.

**SC2652/rev. 6-22**  
© 2022 USG Corporation and/or its affiliates. All rights reserved. Printed in U.S.A.

# USG HALCYON™ HEALTHCARE ACOUSTICAL PANELS

CLIMAPLUS™ PERFORMANCE



ORDER SAMPLES/LITERATURE  
USG: usg.com or samplit@usg.com  
CGC: contact Sales Representative

FOR MOST UP-TO-DATE  
TECHNICAL INFORMATION  
AND LEED REPORT TOOL  
usgdesignstudio.com  
cgcdesignstudio.com

TECHNICAL SERVICES  
800 USG.4YOU (674-4968)

Edge	Panel Size	Fire Rating	Item No.	UL Classified		LR <sup>2</sup>	Color	Grid Options	Anti-Mold & Mildew/Sag Resistance	Recycled Content <sup>1</sup>	Panel Cost
				NRC	CAC Min.						
SQ	2'x2'x1"	Class A	98232	0.95	20	0.90	White	A, B, C, D, E, F		40%	\$\$\$\$
	2'x4'x1"	Class A	98233	0.95	20	0.90	White	A, B, D, E, F		40%	\$\$\$\$
	2'x2'x1-1/2"	Class A	98234	1.00	25	0.90	White	A, B, C, D, E, F		42%	\$\$\$\$
	2'x4'x1-1/2"	Class A	98235	1.00	25	0.90	White	A, B, D, E, F		42%	\$\$\$\$
SL	2'x2'x1"	Class A	98238	0.95	20	0.90	White	G, H, I, J		40%	\$\$\$\$
	2'x4'x1"	Class A	98239	0.95	20	0.90	White	G, H, I, J		40%	\$\$\$\$
	2'x2'x1-1/2"	Class A	98217	1.00	25	0.90	White	G, H, I, J		42%	\$\$\$\$
	2'x4'x1-1/2"	Class A	98218	1.00	25	0.90	White	G, H, I, J		42%	\$\$\$\$
FL	2'x2'x1"	Class A	98236	0.95	20	0.90	White	K, L, M, N		40%	\$\$\$\$
	2'x4'x1"	Class A	98237	0.95	20	0.90	White	K, L, M, N		40%	\$\$\$\$

**ClimaPlus™ Warranty Performance<sup>3</sup>**  
Fiberglass substrate is inherently resistant to the growth of mold and mildew. Includes sag-resistance performance.

A USG DX®	B USG DXW™	C <sup>4</sup> USG Centricitee™ DXT™	D USG DXLA™	E USG ZXLA™	F USG AX™	G USG DX®
H USG DXLA™	I USG ZXLA™	J USG AX™	K USG Centricitee™ DXT™	L USG Fineline® DXF™	M USG Fineline® 1/8 DXFF™	N USG Identitee® DXI™

**Product literature**  
Data sheet: SC2652

**ASTM E1264 classification**  
Type XII, Form 2, Pattern E, G

**ASTM E84 and CAN/ULC S102 surface-burning characteristics**

Class A  
Flame spread: 25 or less  
Smoke developed: 50 or less

**Weight**  
0.40 lb./sq. ft. (1" panels)  
0.59 lb./sq. ft. (1-1/2" panels)

**Thermal resistance**  
R-4.4 (1" panels)  
R-6.6 (1-1/2" panels)

**Maximum backloading**  
See USG 30-Year Limited System Warranty Commercial Applications (SC2102).

**Online tools**  
usgdesignstudio.com or cgcdesignstudio.com

**ASTM D2486 scrubability test**  
(standard test)

**ASTM D4828 washability test**  
(modified test)

**Water repellency**  
Cobb method (Tappi T441 om-84)  
Water Drop Test

**\*Maintenance**  
To clean panel, use a clean, white cloth with water or a mild detergent and wipe surface. To disinfect panel, lightly spray surface and wipe clean with a clean, white cloth. Acceptable colorless disinfectants include:  
- Hydrogen peroxide  
- Isopropyl alcohol  
- Quaternary ammonium  
- Sodium hypochlorite  
Do not mix cleaners. Follow cleaner manufacturer's recommendations.

**Metric sizes available**  
Contact sales for minimum quantities and lead times.

**Notes**  
1. For details, see USG Sustainability tool at usgdesignstudio.com or cgcdesignstudio.com.

2. LR values are shown as averages.

3. For details, see USG 30-Year Limited System Warranty Commercial Applications (SC2102).

4. Maximum 2'x2' with SQ edge panels.

**Treating field-cut reveal edges**  
All field-cut edges "exposed to view" should be colored to match the factory finish. USG Halcyon™ Ceiling Touch-up Paint is recommended when perimeter field cuts expose the substrate.

Manufactured by  
USG Interiors, LLC  
550 West Adams Street  
Chicago, IL 60661

The trademarks USG, CGC, AX, CENTRICITEE, CLIMAPLUS, DONN, DX, DXF, DXFF, DXI, DXLA, DXT, DXW, FINELINE, HALCYON, IDENTITEE, MARS, ZXLA, IT'S YOUR WORLD. BUILD IT., the USG/CGC logo, the design elements and colors, and related marks are trademarks of USG Corporation or its affiliates.

Safety First! Follow good safety/industrial hygiene practices during installation. Wear appropriate personal protective equipment. Read SDS and literature before specification and installation.



# USG HALCYON™ PLANKS AND LARGE SIZE ACOUSTICAL PANELS

CLIMAPLUS™ PERFORMANCE



USG Halcyon™ Acoustical Planks with ClimaPlus™ Performance/USG Donn® Brand Centricitee™ DXT™ Acoustical Suspension System

USG HALCYON™ PLANKS

USG HALCYON™ LARGE SIZE ACOUSTICAL PANELS

TO ORDER SAMPLES, GO TO USG.COM OR CGCINC.COM



Flat White 050



Limited color options available. See Ceiling Solutions Color Program for details.

Fine-Textured Panel

## FEATURES AND BENEFITS

- Exceptional noise reduction with NRC values up to 1.00 and AC values up to 200 for open-plan offices.
- High light-reflective finish (LR-0.90) reduces light fixtures and energy use.
- Washable and scrubbable finish.
- Impact and scratch resistant.
- Coordinates visually with USG Mars™ Acoustical Panels for open- or closed-plan applications.
- Compatible with USG Logix™ Integrated Ceiling Systems.
- Nondirectional, monolithic visual reduces installation time and waste.
- ClimaPlus™ 30-year limited system warranty against visible sag, mold and mildew.
- Balanced Acoustic options with Foil-Backed products.

## APPLICATIONS

- Open-plan areas
- Areas with indirect lighting
- Corridors
- Convention halls and concourses
- Reception and lobby areas
- Libraries

## SUBSTRATE

- Fiberglass

## GRID PROFILE OPTIONS

A USG DX*	B USG DXW™	C USG DX*	D USG Centricitee™ DXT™	E USG Fineline® DXF™	F USG Fineline® 1/8 DXFF™	G USG Identitee® DXI™

## STABILIZER BARS<sup>3</sup>

	Use to stabilize grid installation without cross tees. Use in large module applications.	<b>ASB24</b>	24" Stabilizer Bar
		<b>ASB30</b>	30" Stabilizer Bar
		<b>ASB48</b>	48" Stabilizer Bar

## PHYSICAL DATA/ FOOTNOTES

<b>Product literature</b> Data sheet: SC2483  <b>ASTM E1264 classification</b> Type XII, Form 2, Pattern E & G  <b>ASTM E84 and CAN/ULC S102 surface-burning characteristics</b> Class A Flame spread: 25 or less Smoke developed: 50 or less  <b>Weight</b> 0.28 lb./sq. ft. (3/4" panels) 0.40 lb./sq. ft. (1" panels)	<b>Online tools</b> usgdesignstudio.com or cgcdesignstudio.com  <b>Thermal resistance</b> R-3.3 (3/4" panels) R-4.4 (1" panels)  <b>Maximum backloading</b> See USG 30-Year Limited Warranty Commercial Applications (SC2102).  <b>Maintenance</b> Can be cleaned easily with a soft brush or vacuum. To clean panel, use a clean, white cloth with water or a mild detergent and wipe surface.	<b>Metric sizes available</b> Contact sales for minimum quantities and lead times.  <b>Treating field-cut reveal edges</b> All field-cut edges "exposed to view" should be colored to match the factory finish. USG Halcyon™ Touch-up Edge Paint is recommended when perimeter field cuts expose the yellow substrate.  <b>Notes</b> 1. For details, see USG Sustainability tool at usgdesignstudio.com or cgcdesignstudio.com. 2. Custom-size panels available. Please contact your USG sales representative for details. 3. Stabilizer bar recommended if opening >= 48" and required if opening >= 60". For more information about stabilizer bars, please refer to <i>Plank and Large Panel Stabilizer Bars Application Guide</i> (IC592). 4. For details, see USG 30-Year Limited Warranty Commercial Applications (SC2102). 5. Select custom color panels are available in limited sizes and edge profiles. Minimum order quantities apply. Please contact your local sales representative for availability, pricing, minimum order quantities and lead times. 6. Tested in accordance with ASTM C423 in USG Acoustical Test Facility (NVLAP Lab Code: 200132-0); not UL classified for acoustics. 7. Tested in accordance with ASTM E1414 in USG Acoustical Test Facility (NVLAP Lab Code: 200132-0); not UL classified for acoustics.
---	--	--

**Notice**  
The information in this document is subject to change without notice. CGC Inc. or USG Corp. assumes no responsibility for any errors that may inadvertently appear in this document.

SC2483/rev. 6-22  
© 2022 USG Corporation and/or its affiliates. All rights reserved. Printed in USA

# USG HALCYON™ PLANKS AND LARGE SIZE ACOUSTICAL PANELS

CLIMAPLUS™ PERFORMANCE



ORDER SAMPLES/LITERATURE  
USG: usg.com or samplrit@usg.com  
CGC: contact Sales Representative

TECHNICAL SERVICES  
800 USG.4YOU (874-4968)

FOR MOST UP-TO-DATE TECHNICAL INFORMATION AND LEED REPORT TOOL  
usgdesignstudio.com  
cgcdesignstudio.com

Edge	Panel Size <sup>2</sup>	Fire Rating	Item No.	UL Classified		LR	Color	Grid Options	Anti-Mold & Mildew/Sag Resistance	Recycled Content <sup>1</sup>	Panel Cost
				NRC	CAC Min.						
SQ	2'x6'x3/4"	Class A	97262	0.90	20	0.90	White	A,B		38%	\$\$\$\$
	2'x8'x3/4"	Class A	97263	0.90	20	0.90	White	A,B		38%	\$\$\$\$
	2'x5'x1"	Class A	99262	0.95	20	0.90	White	A,B		40%	\$\$\$\$
SL	2'x6'x1"	Class A	99268	0.95	20	0.90	White	C		40%	\$\$\$\$
	2'x6'x1" Foil-Back	Class A	97360	0.90 <sup>6</sup>	30 <sup>7</sup>	0.90	White	C		37%	\$\$\$\$\$
	2'x8'x1"	Class A	99269	0.95	20	0.90	White	C		40%	\$\$\$\$
FL	2'x8'x1" Foil-Back	Class A	97361	0.90 <sup>6</sup>	30 <sup>7</sup>	0.90	White	C		37%	\$\$\$\$\$
	2'x6'x1"	Class A	98348	0.95	20	0.90	White	D,E,F,G		40%	\$\$\$\$
	2'x6'x1" Foil-Back	Class A	97362	0.90 <sup>6</sup>	30 <sup>7</sup>	0.90	White	D,E,F,G		37%	\$\$\$\$\$
FL	2'x8'x1"	Class A	98197	0.95	20	0.90	White	D,E,F,G		40%	\$\$\$\$
	2'x8'x1" Foil-Back	Class A	97367	0.90 <sup>6</sup>	30 <sup>7</sup>	0.90	White	D,E,F,G		37%	\$\$\$\$\$
	4'x4'x1"	Class A	98441	0.95	20	0.90	White	A,B		40%	\$\$\$\$
SQ	4'x4'x1" Foil-Back	Class A	97363	0.90 <sup>6</sup>	30 <sup>7</sup>	0.90	White	A,B		37%	\$\$\$\$\$
	4'x8'x1"	Class A	98481	0.95	20	0.90	White	A,B		40%	\$\$\$\$
	4'x8'x1" Foil-Back	Class A	97364	0.90 <sup>6</sup>	30 <sup>7</sup>	0.90	White	A,B		37%	\$\$\$\$\$
SL	4'x4'x1"	Class A	98443	0.95	20	0.90	White	C		40%	\$\$\$\$
	4'x4'x1" Foil-Back	Class A	97365	0.90 <sup>6</sup>	30 <sup>7</sup>	0.90	White	C		37%	\$\$\$\$\$
	4'x8'x1"	Class A	98445	0.95	20	0.90	White	D,E,F,G		40%	\$\$\$\$
FL	4'x4'x1" Foil-Back	Class A	97366	0.90 <sup>6</sup>	30 <sup>7</sup>	0.90	White	D,E,F,G		37%	\$\$\$\$\$

## ClimaPlus™ Warranty Performance<sup>4</sup>

Fiberglass substrate is inherently resistant to the growth of mold and mildew. Includes sag-resistance performance.

Manufactured by USG Interiors, LLC 550 West Adams Street Chicago, IL 60661

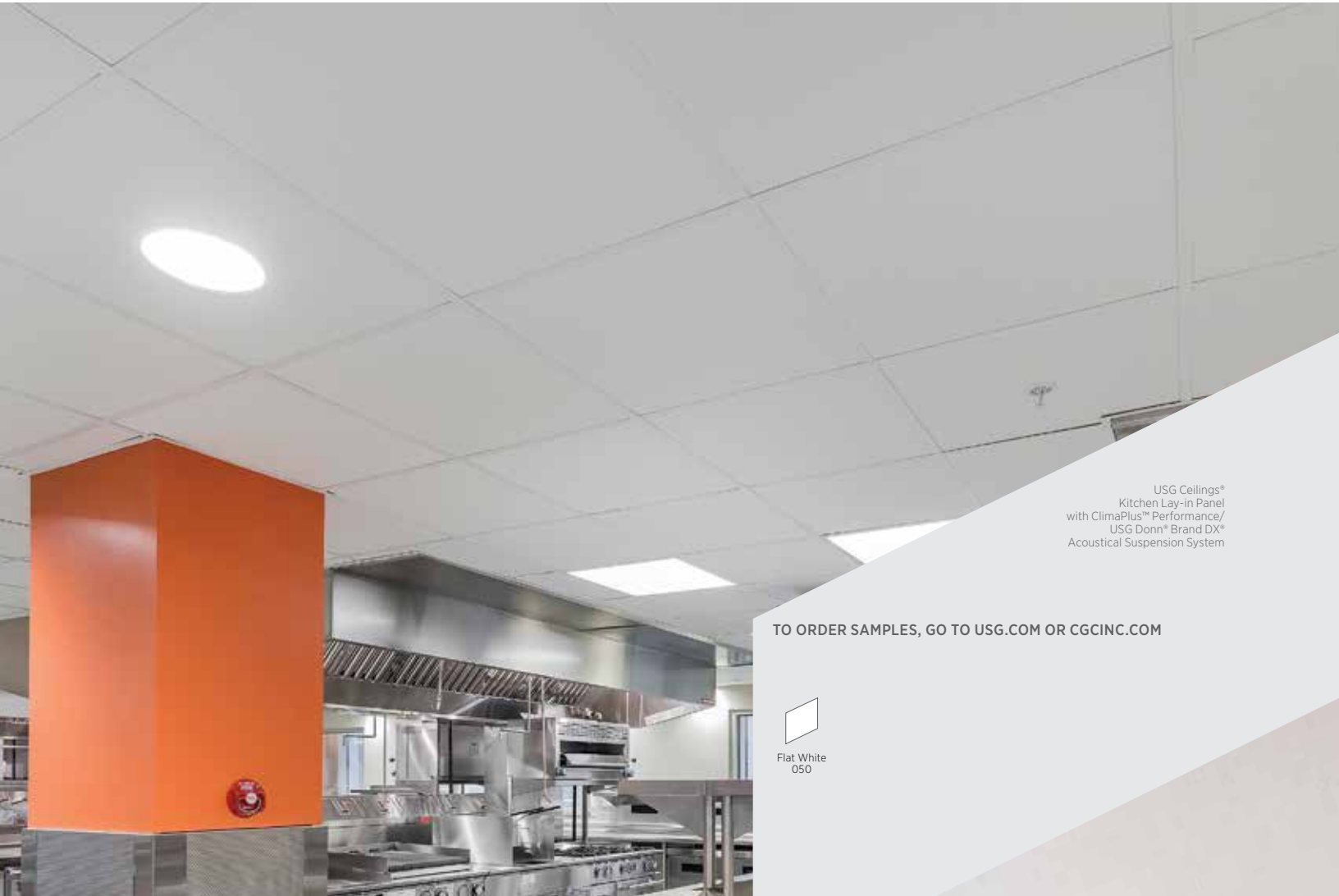
The trademarks USG, CGC, CENTRICITEE, CLIMAPLUS, DONN, DX, DXF, DXFF, DXI, DXT, DXW, FINELINE, HALCYON, IDENTITEE, LOGIX, MARS, IT'S YOUR WORLD. BUILD IT., the USG/CGC logo, the design elements and colors, and related marks are trademarks of USG Corporation or its affiliates.

Safety First! Follow good safety/industrial hygiene practices during installation. Wear appropriate personal protective equipment. Read SDS and literature before specification and installation.



# USG CEILINGS® KITCHEN LAY-IN PANEL

CLIMAPLUS™ PERFORMANCE



USG Ceilings®  
Kitchen Lay-in Panel  
with ClimaPlus™ Performance/  
USG Donn® Brand DX®  
Acoustical Suspension System

TO ORDER SAMPLES, GO TO [USG.COM](http://USG.COM) OR [CGCINC.COM](http://CGCINC.COM)



Smooth-Textured Panel

## FEATURES AND BENEFITS

- Lightweight alternative to vinyl-covered gypsum.
- Meets USDA/FSIS guidelines for use in food-processing areas.
- High light reflectance.
- Washable, water repellent, scratch and soil resistant finish.
- ClimaPlus™ 30-year limited system warranty against visible sag, mold and mildew.

## APPLICATIONS

- Kitchens and food preparation areas
- Restrooms and utility areas
- Locker rooms

## SUBSTRATE

- Wet-formed mineral fiber



## USG CEILINGS® KITCHEN LAY-IN PANEL<sup>2</sup>

## GRID PROFILE OPTIONS

## PHYSICAL DATA

**Notice**  
The information in this document is subject to change without notice. CGC Inc. or USG Corp. assumes no responsibility for any errors that may inadvertently appear in this document.

**SC3226/rev. 6-22**  
© 2022 USG Corporation and/or its affiliates. All rights reserved. Printed in USA

# USG CEILINGS® KITCHEN LAY-IN PANEL

CLIMAPLUS™ PERFORMANCE

**ORDER SAMPLES/LITERATURE**  
USG: [usg.com](http://usg.com) or [samplit@usg.com](mailto:samplit@usg.com)  
CGC: contact Sales Representative

**TECHNICAL SERVICES**  
800 USG.4YOU (874-4968)

**FOR MOST UP-TO-DATE TECHNICAL INFORMATION AND LEED REPORT TOOL**  
[usgdesignstudio.com](http://usgdesignstudio.com)  
[cgcdesignstudio.com](http://cgcdesignstudio.com)



Edge	Panel Size	Fire Rating	Item No.	UL Classified			Color	Grid Options	Anti-Mold & Mildew/Sag Resistance	Recycled Content <sup>1</sup>	Panel Cost
				NRC <sup>4</sup>	CAC Min.	LR <sup>3</sup>					
SQ	2'x2'x5/8"	Class A	3210	NRC	CAC	LR	White	A,B,C	[Icon]	24%	\$
	2'x4'x5/8"			3410	-	35					

## Low Emissions (VOC)

Third party (GREENGUARD Gold) certified for low-emitting performance, meets California Department of Public Health's (CDPH) Standard Method v1.2 - 2017 (CA Section 01350). Certificates of Compliance for Low VOC Emissions are available on [usg.com](http://usg.com) and at [spot.ul.com](http://spot.ul.com).

## ClimaPlus™ Warranty Performance<sup>5</sup>

Contains a broad-spectrum antimicrobial additive on the face and back of the panel that provides resistance against the growth of mold and mildew. Includes sag-resistance performance.

A USG DX®	B USG DXLA™	C USG ZXLA™

## Product literature

Data sheet: SC3226

## ASTM E1264 classification

Type IX, Form 2, Pattern G

## ASTM E84 and CAN/ULC S102 surface-burning characteristics

Class A  
Flame spread: 25 or less  
Smoke developed: 50 or less

## Weight

0.60 lb./sq. ft.

## Online tools

[usgdesignstudio.com](http://usgdesignstudio.com) or [cgcdesignstudio.com](http://cgcdesignstudio.com)

## Thermal resistance

R-1.4

## Maximum backloading

See *USG 30-Year Limited System Warranty Commercial Applications* (SC2102).

## Maintenance

Can be cleaned easily with a damp sponge. Use mild detergent and water—do not use acetate, ammonia or high concentration of chlorine, bromide or other harsh chemicals.

## Notes

1. For details, see USG Sustainability tool at [usgdesignstudio.com](http://usgdesignstudio.com) or [cgcdesignstudio.com](http://cgcdesignstudio.com).
2. Do not use this product in close proximity to grease ducts.
3. LR values are shown as averages.
4. USG does not consider a ceiling panel to be acoustically rated if NRC is less than 0.50.
5. For details, see *USG 30-Year Limited System Warranty Commercial Applications* (SC2102).

Manufactured by  
United States Gypsum Company  
550 West Adams Street  
Chicago, IL 60661

The trademarks USG, CGC, CE, CLEAN ROOM, CLIMAPLUS, DONN, DX, DXLA, FIRECODE, SHEETROCK, ZXLA, IT'S YOUR WORLD, BUILD IT, the USG/CGC logo, the design elements and colors, and related marks are trademarks of USG Corporation or its affiliates.

Safety First! Follow good safety/industrial hygiene practices during installation. Wear appropriate personal protective equipment. Read SDS and literature before specification and installation.



# USG MARS™ ACOUSTICAL PANELS

CLIMAPLUS™ PERFORMANCE



USG Mars™ Acoustical Panels with ClimaPlus™ Performance/USG Donn® Brand DX® Acoustical Suspension System

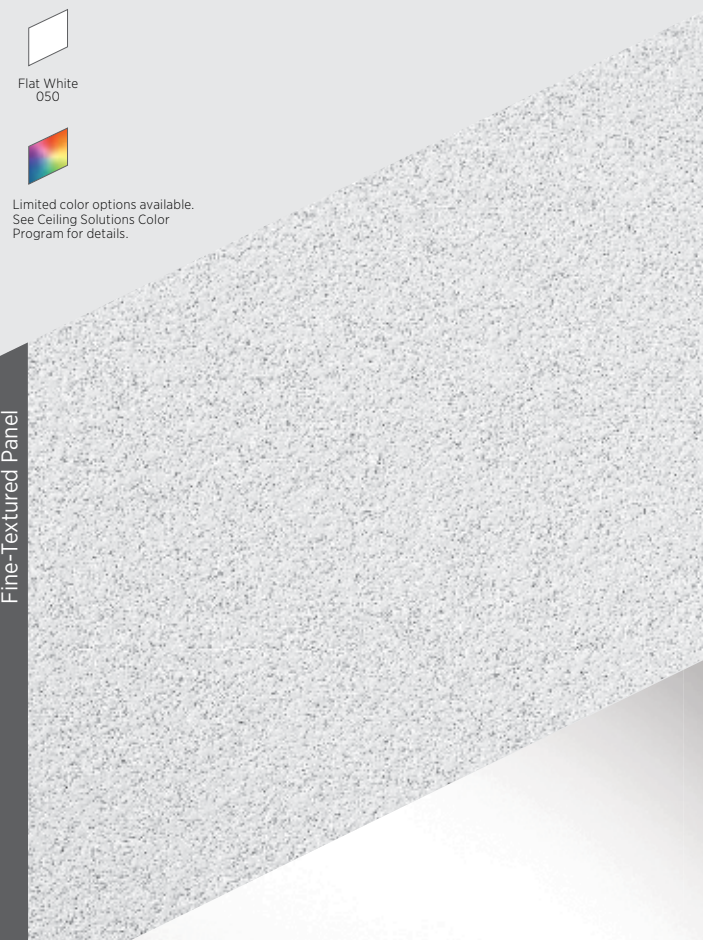
TO ORDER SAMPLES, GO TO USG.COM OR CGCINC.COM



Flat White 050

Limited color options available. See Ceiling Solutions Color Program for details.

Fine-Textured Panel



USG MARS™ PANELS

## USG MARS™ ACOUSTICAL PANELS

CLIMAPLUS™ PERFORMANCE

ORDER SAMPLES/LITERATURE  
USG: usg.com or samplite@usg.com  
CGC: contact Sales Representative

FOR MOST UP-TO-DATE  
TECHNICAL INFORMATION  
AND LEED REPORT TOOL  
usgdesignstudio.com  
cgcdesignstudio.com



Edge	Panel Size	Fire Rating	Item No.	UL Classified			Color	Grid Options	VOC Emissions	Anti-Mold & Mildew/Sag Resistance	Recycled Content <sup>1</sup>	Panel Cost
				NRC	CAC Min.	LR <sup>2</sup>						
SQ	2'x2'x3/4"	Class A	86185	0.75	35	0.90	White	A,B,C	Low		69%	\$\$
	2'x2'x3/4"	Class A	86185HRC	0.70	35	0.90	White	A,B,C	Low		81%	\$\$
	2'x4'x3/4"	Class A	88185	0.75	35	0.90	White	A,B	Low		69%	\$\$
	2'x4'x3/4"	Class A	88185HRC	0.70	35	0.90	White	A,B	Low		81%	\$\$
SLT	2'x2'x3/4"	Class A	86785	0.75	35	0.90	White	D	Low		69%	\$\$
	2'x2'x3/4"	Class A	86785HRC	0.70	35	0.90	White	D	Low		81%	\$\$
	2'x4'x3/4"	Class A	88785	0.75	35	0.90	White	D	Low		69%	\$\$
	2'x4'x3/4"	Class A	88785HRC	0.70	35	0.90	White	D	Low		81%	\$\$
	30"x30"x3/4"	Class A	86875	0.75	35	0.90	White	D	Low		69%	\$\$
FLB	2'x2'x3/4"	Class A	86985	0.75	35	0.90	White	E,F,G,H	Low		69%	\$\$
	2'x2'x3/4"	Class A	86985HRC	0.70	35	0.90	White	E,F,G,H	Low		81%	\$\$
	2'x4'x3/4"	Class A	88985	0.75	35	0.90	White	E,F,G,H	Low		69%	\$\$
	2'x4'x3/4"	Class A	88985HRC	0.70	35	0.90	White	E,F,G,H	Low		81%	\$\$
	30"x30"x3/4"	Class A	86830	0.75	35	0.90	White	E,F,G,H	Low		69%	\$\$

### Low Emissions (VOC)

Third party (GREENGUARD Gold) certified for low-emitting performance, meets California Department of Public Health's (CDPH) Standard Method v1.2 - 2017 (CA Section 01350). \*Certificates of Compliance<sup>1</sup> for Low VOC Emissions are available on usg.com and at spot.ul.com.

### ClimaPlus™ Warranty Performance<sup>3</sup>

Contains a broad-spectrum antimicrobial additive on the face and back of the panel that provides resistance against the growth of mold and mildew. Includes sag-resistance performance.

### High Recycled Content

USG classifies High Recycled Content as greater than 50%. Total recycled content is based on product composition of postconsumer and preconsumer (postindustrial) recycled content per FTC guidelines.

### GRID PROFILE OPTIONS

A USG DX®	B USG DXW™	C <sup>4</sup> USG Centricitee™ DXT™	D USG DX*	E USG Centricitee™ DXT™	F USG Fineline® DXF™	G USG Fineline® 1/8 DXFF™	H USG Identitee® DXI™

Product literature  
Data sheet: SC1966

ASTM E1264 classification  
Type IV, Form 1 and 2, Pattern E, G

ASTM E84 and CAN/ULC S102  
surface-burning characteristics  
Class A  
Flame spread: 25 or less  
Smoke developed: 50 or less

Weight  
1.01 lb./sq. ft.

Online tools  
usgdesignstudio.com or cgcdesignstudio.com

Thermal resistance  
R-2.2

Maximum backloading  
See USG 30-Year Limited System Warranty Commercial Applications (SC2102).

Maintenance  
Can be cleaned easily with a soft brush or vacuum. To clean panel, use a clean, white cloth with water or a mild detergent and wipe surface.

Metric sizes available  
Contact sales for minimum quantities and lead times.

#### Notes

- For details, see USG Sustainability tool at usgdesignstudio.com or cgcdesignstudio.com.
- LR values are shown as averages.
- Panel face and back surfaces treated with a proprietary, broad-spectrum antimicrobial additive that inhibits and retards the growth of mold, mildew and bacteria. For details, see USG 30-Year Limited System Warranty Commercial Applications (SC2102).
- Maximum 2'x2' with SQ edge panels.
- Select custom color panels are available in limited sizes and edge profiles. Minimum order quantities apply. Please contact your local sales representative for availability, pricing, minimum order quantities and lead times.

#### Notice

The information in this document is subject to change without notice. CGC Inc. or USG Corp. assumes no responsibility for any errors that may inadvertently appear in this document.

SC1966/rev. 6-22  
© 2022 USG Corporation and/or its affiliates. All rights reserved. Printed in USA

Manufactured by  
USG Interiors, LLC  
550 West Adams Street  
Chicago, IL 60661

The trademarks USG, CGC, CE, CENTRICITEE, CLIMAPLUS, DONN, DX, DXF, DXFF, DXI, DXT, DXW, ECOBLUEPRINT, FINELINE, IDENTITEE, MARS, IT'S YOUR WORLD. BUILD IT., the USG/CGC logo, the design elements and colors, and related marks are trademarks of USG Corporation or its affiliates.

Safety First! Follow good safety/industrial hygiene practices during installation. Wear appropriate personal protective equipment. Read SDS and literature before specification and installation.



### FEATURES AND BENEFITS

- Excellent noise reduction. Up to NRC-0.75.
- High light-reflective finish (LR-0.90) reduces light fixtures and energy use.
- Washable, scrubbable finish, that is impact and scratch resistant.
- Available in Optimized Recycled Content formulations to help maximize LEED recycled content contribution.
- Nondirectional, monolithic visual reduces installation time and waste.
- ClimaPlus™ 30-year limited system warranty against visible sag, mold and mildew.
- GREENGUARD Gold Certified for low-emitting performance.
- Balanced Acoustics. High-NRC and High-CAC.
- USG Mars™ Acoustical Panels are part of the Ecoblueprint™ portfolio — meeting today's sustainability standards. For sustainability documentation go to USG.com or CGCInc.com.

### APPLICATIONS

- Offices and conference rooms
- Healthcare (HIPAA requirements)
- Classrooms
- Dining rooms and food-prep areas

### SUBSTRATE

- Wet-formed mineral fiber

# USG MARS™ HEALTHCARE ACOUSTICAL PANELS

## CLIMAPLUS™ PERFORMANCE WITH CLEAN ROOM, HIGH-NRC AND AIRCARE™ COATING OPTIONS



USG Mars™ Healthcare Acoustical Panels with ClimaPlus™ Performance/USG Donn® Brand DX\*/DXL™ Acoustical Suspension System

Photo this page:  
© Andrew Latreille  
Architects: Perkins+Will/KRA/Group2

TO ORDER SAMPLES,  
GO TO [USG.COM](http://USG.COM) OR [CGCINC.COM](http://CGCINC.COM)



Fine-Textured Panel

### FEATURES AND BENEFITS

- Water-repellent membrane designed to be durable and safe with common disinfectants.\*\*
- Washable and soil-resistant finish. Impact and scratch resistant.
- Acoustics and cleanability exceed FGI guidelines for healthcare.
- Meets USDA/FSIS guidelines for use in food-processing areas.
- Achieves FDA standards for smoothness, durability and cleanability.
- Clean Room tested to ISO 5 (Class 100) (Items 86169CR, 88189CR, 86684CR, 88683CR).
- ClimaPlus™ 30-year limited system warranty against visible sag, mold and mildew.
- AirCare™ coating applied to face and back reduces 75% of formaldehyde over a 10-year period.<sup>4</sup>
- GREENGUARD Gold certified for low emitting performance.
- Balanced Acoustics. High-NRC and High-CAC provide excellent sound control that assist in addressing HIPAA standards.
- USG Mars™ Healthcare Acoustical Panels is part of the Ecoblueprint™ portfolio — meeting today's sustainability standards. For sustainability documentation go to [USG.com](http://USG.com) or [CGCInc.com](http://CGCInc.com).

### APPLICATIONS

- Kitchen and food-prep areas
- Lavatories and restrooms
- Laboratories and Clean Rooms
- Nurses' stations/ waiting rooms
- Treatment/patient rooms
- Wet-formed mineral fiber

### SUBSTRATE

- Wet-formed mineral fiber



**USG MARS™ HEALTHCARE HIGH-NRC PANELS 85/35**  
Plant-Based Binder<sup>6</sup>

**USG MARS™ HEALTHCARE HIGH-NRC/HIGH-CAC PANELS 80/40**  
Plant-Based Binder<sup>6</sup>

**USG MARS™ HEALTHCARE HIGH-NRC PANELS 80/35**  
Plant-Based Binder<sup>6</sup>

**USG MARS™ HEALTHCARE HEALTHCARE PANELS 75/35**

**USG MARS™ HEALTHCARE HIGH-CAC PANELS 60/40**

## USG MARS™ HEALTHCARE ACOUSTICAL PANELS

### CLIMAPLUS™ PERFORMANCE — NEW CLEAN ROOM, HIGH-NRC AND AIRCARE™ COATING OPTIONS



ORDER SAMPLES/LITERATURE  
USG: [usg.com](mailto:usg.com) or [sampllit@usg.com](mailto:sampllit@usg.com)  
CGC: contact Sales Representative

FOR MOST UP-TO-DATE TECHNICAL INFORMATION AND LEED REPORT TOOL  
[usgdesignstudio.com](http://usgdesignstudio.com)  
cgcdesignstudio.com

TECHNICAL SERVICES  
800 USG.4YOU (874-4968)



Edge	Panel Size	Fire Rating	Item No.	UL Classified			Color	Grid Options	VOC Emissions	Anti-Mold & Mildew/Sag Resistance	Recycled Content <sup>1</sup>	Panel Cost
				NRC	CAC Min.	LR <sup>2</sup>						
SQ	2'x2'x7/8"	Class A	86256	0.85	35	0.90	White	A,B,C,D,E,F	Low	[Green Arrow]	70%	\$\$
	2'x4'x7/8"			0.85	35	0.90						
SLT	2'x2'x7/8"	Class A	86257	0.85	35	0.90	White	G,H,I,J	Low	[Green Arrow]	70%	\$\$
FLB	2'x2'x7/8"	Class A	86258	0.85	35	0.90	White	K,L,M,N	Low	[Green Arrow]	70%	\$\$
SQ	2'x2'x1"	Class A	86115	0.80	40	0.90	White	A,B,C,D,E,F	Low	[Green Arrow]	71%	\$\$
	2'x4'x1"			0.80	40	0.90						
SLT	2'x2'x1"	Class A	86343	0.80	40	0.90	White	G,H,I,J	Low	[Green Arrow]	71%	\$\$
	2'x4'x1"			0.80	40	0.90						
FLB	2'x2'x1"	Class A	86344	0.80	40	0.90	White	K,L,M,N	Low	[Green Arrow]	71%	\$\$
	2'x4'x1"			0.80	40	0.90						
SQ	2'x2'x7/8"	Class A	86152	0.80	35	0.90	White	A,B,C,D,E,F	Low	[Green Arrow]	70%	\$\$
	2'x4'x7/8"			0.80	35	0.90						
SLT	2'x2'x7/8"	Class A	86470	0.80	35	0.90	White	G,H,I,J	Low	[Green Arrow]	70%	\$\$
FLB	2'x2'x7/8"	Class A	86750	0.80	35	0.90	White	K,L,M,N	Low	[Green Arrow]	70%	\$\$
SQ	2'x2'x3/4"	Class A	86169	0.75	35	0.90	White	A,B,C,D,E,F	Low	[Green Arrow]	68%	\$\$
	2'x4'x3/4"			0.75	35	0.90						
SLT	2'x2'x3/4"	Class A	86684	0.75	35	0.90	White	G,H,I,J	Low	[Green Arrow]	68%	\$\$
	2'x4'x3/4"			0.75	35	0.90						
FLB	2'x2'x3/4"	Class A	86984	0.75	35	0.90	White	K,L,M,N	Low	[Green Arrow]	68%	\$\$
	2'x4'x3/4"			0.75	35	0.90						
SQ	2'x2'x3/4"	Class A	86270	0.60	40	0.90	White	A,B,C,D,E,F	Low	[Green Arrow]	71%	\$\$
	2'x4'x3/4"			0.60	40	0.90						
SLT	2'x2'x3/4"	Class A	86272	0.60	40	0.90	White	G,H,I,J	Low	[Green Arrow]	71%	\$\$
FLB	2'x2'x3/4"	Class A	86273	0.60	40	0.90	White	K,L,M,N	Low	[Green Arrow]	71%	\$\$
	2'x4'x3/4"			0.60	40	0.90						

**Low Emissions (VOC)**  
Third party (GREENGUARD Gold) certified for low-emitting performance, meets California Department of Public Health's (CDPH) Standard Method v1.2 - 2017 (CA Section 01350). 'Certificates of Compliance' for Low VOC Emissions are available on [usg.com](http://usg.com) and at [spot.ul.com](http://spot.ul.com).

**ClimaPlus™ Warranty Performance<sup>3</sup>**  
Contains a broad-spectrum antimicrobial additive on the face and back of the panel that provides resistance against the growth of mold and mildew. Includes sag-resistance performance.

**High Recycled Content**  
USG classifies High Recycled Content as greater than 50%. Total recycled content is based on product composition of postconsumer and preconsumer (postindustrial) recycled content per FTC guidelines.

Acoustical Ceiling Panels

# USG MARS™ HEALTHCARE ACOUSTICAL PANELS

CLIMAPLUS™ PERFORMANCE – NEW CLEAN ROOM, HIGH-NRC AND AIRCARE™ COATING OPTIONS

ORDER SAMPLES/LITERATURE  
USG: usg.com or samplitt@usg.com  
CGC: contact Sales Representative

FOR MOST UP-TO-DATE  
TECHNICAL INFORMATION  
AND LEED REPORT TOOL  
usgdesignstudio.com  
cgcdesignstudio.com

TECHNICAL SERVICES  
800 USG.4YOU (874-4968)



# USG MARS™ HEALTHCARE ACOUSTICAL PANELS

CLIMAPLUS™ PERFORMANCE – NEW CLEAN ROOM, HIGH-NRC AND AIRCARE™ COATING OPTIONS

ORDER SAMPLES/LITERATURE  
USG: usg.com or samplitt@usg.com  
CGC: contact Sales Representative

FOR MOST UP-TO-DATE  
TECHNICAL INFORMATION  
AND LEED REPORT TOOL  
usgdesignstudio.com  
cgcdesignstudio.com

TECHNICAL SERVICES  
800 USG.4YOU (874-4968)



## USG MARS™ HEALTHCARE WITH AIRCARE™ COATING<sup>4</sup> 75/35

## USG MARS™ HEALTHCARE CLEAN ROOM PANELS 75/35

Edge	Panel Size	Fire Rating	Item No.	UL Classified			Color	Grid Options	VOC Emissions	Anti-Mold & Mildew/Sag Resistance	Recycled Content <sup>1</sup>	Panel Cost
				NRC	CAC Min.	LR <sup>2</sup>						
SQ	2'x2'x3/4"	Class A	86169AIR	0.75	35	0.90	White	A,B,C,D,E,F	Low	69%	69%	\$\$
	2'x4'x3/4"	Class A	88189AIR	0.75	35	0.90	White	A,B,D,E,F	Low	69%	69%	\$\$
SLT	2'x2'x3/4"	Class A	86684AIR	0.75	35	0.90	White	G,H,I,J	Low	69%	69%	\$\$
	2'x4'x3/4"	Class A	88683AIR	0.75	35	0.90	White	G,H,I,J	Low	69%	69%	\$\$
FLB	2'x2'x3/4"	Class A	86984AIR	0.75	35	0.90	White	K,L,M,N	Low	69%	69%	\$\$
	2'x4'x3/4"	Class A	88983AIR	0.75	35	0.90	White	K,L,M,N	Low	69%	69%	\$\$
SQ	2'x2'x3/4"	Class A	86169CR	0.75	35	0.90	White	O	Low	69%	69%	\$\$
	2'x4'x3/4"	Class A	88189CR	0.75	35	0.90	White	O	Low	69%	69%	\$\$
SLT	2'x2'x3/4"	Class A	86684CR	0.75	35	0.90	White	P	Low	68%	68%	\$\$
	2'x4'x3/4"	Class A	88683CR	0.75	35	0.90	White	P	Low	68%	68%	\$\$

**Low Emissions (VOC)**  
Third party (GREENGUARD Gold) certified for low-emitting performance, meets California Department of Public Health's (CDPH) Standard Method v1.2 - 2017 (CA Section 01350). 'Certificates of Compliance' for Low VOC Emissions are available on usg.com and at spot.ul.com.

**ClimaPlus™ Warranty Performance<sup>3</sup>**  
Contains a broad-spectrum antimicrobial additive on the face and back of the panel that provides resistance against the growth of mold and mildew. Includes sag-resistance performance.

**High Recycled Content**  
USG classifies High Recycled Content as greater than 50%. Total recycled content is based on product composition of postconsumer and preconsumer (postindustrial) recycled content per FTC guidelines.

### GRID PROFILE OPTIONS

### PHYSICAL DATA/ FOOTNOTES

A USG DX*	B USG DXW™	C <sup>5</sup> USG Centricitee™ DXT™	D USG DXLA™
E USG ZXLA™	F USG AX™	G USG DX*	H USG DXLA™
I USG ZXLA™	J USG AX™	K USG Centricitee™ DXT™	L USG Finline™ DXF™
M USG Finline™ 1/8 DXFF™	N USG Identitee™ DXI™	O USG CE™	P USG DXCE™

**Product literature**  
Data sheet: SC2585

**ASTM E1264 classification**  
Type IV, Form 1 and 2, Pattern E, G

**ASTM E84 and CAN/ULC S102 surface-burning characteristics**  
Class A  
Flame spread: 25 or less  
Smoke developed: 50 or less

**Weight**  
1.03-1.24 lb./sq. ft.

**Thermal resistance**  
R-2.2

**Maximum backloading**  
See USG 30-Year Limited System Warranty Commercial Applications (SC2102).

**Online tools**  
usgdesignstudio.com or cgcdesignstudio.com

**ASTM D2486 scrubability test**  
(standard test)

**ASTM D4828 washability test**  
(modified test)

**Water repellency**  
Cobb method (Tappi T441 om-84) Water Drop Test

**\*\*Maintenance**  
To clean panel, use a clean, white cloth with water or a mild detergent and wipe surface. To disinfect panel, lightly spray surface and wipe clean with a clean, white cloth. Acceptable colorless disinfectants include:  
- Hydrogen peroxide  
- Isopropyl alcohol  
- Quaternary ammonium  
- Sodium hypochlorite

Do not mix cleaners. Follow cleaner manufacturer's recommendations.

**USG Mars™ Healthcare Clean Room**  
- Field-cut edges of USG Mars™ Healthcare Clean Room panels may be sealed with white latex paint. Use square edge panels for all lay-in field-cut perimeter panels.  
- Clean Room-rated applications require a suspension system with gasketed tee flanges such as USG Donn® Brand CE™.

- Tested to ISO Class 5 particle emissions, per ISO 14644, by UL Environment. Rating may decrease to ISO Class 7 or greater with airflow above 1 ACH, pressure fluctuations, or vibrations in the ceiling system.

- For more information, please reference test report from UL Environment.

**Metric sizes available**  
Contact sales for minimum quantities and lead times.

**Footnotes**

- For details, see USG Sustainability tool at usgdesignstudio.com or cgcdesignstudio.com.
- LR values are shown as averages.
- Panel face and back surfaces treated with a proprietary broad-spectrum antimicrobial standard formulation that inhibits and retards the growth of mold and mildew. For details, see USG 30-Year Limited System Warranty Commercial Applications (SC2102).
- AirCare™ coating removes formaldehyde by an average of 75% over 10 years at an average indoor concentration of 13 ppb.
- Maximum 2'x2' with SQ edge panels.
- All USG Mars™ High NRC Acoustical Panels with a "plant-based binder" label contain up to 65% plant-based material in the binder. For more information please refer to the USG Mars™ Acoustical Panels Health Product Declaration, available at www.usg.com

**Notice**  
The information in this document is subject to change without notice. CGC Inc. or USG Corp. assumes no responsibility for any errors that may inadvertently appear in this document.

SC2585/rev. 6-22  
©2022 USG Corporation and/or its affiliates. All rights reserved. Printed in USA

Manufactured by USG Interiors, LLC 550 West Adams Street Chicago, IL 60661

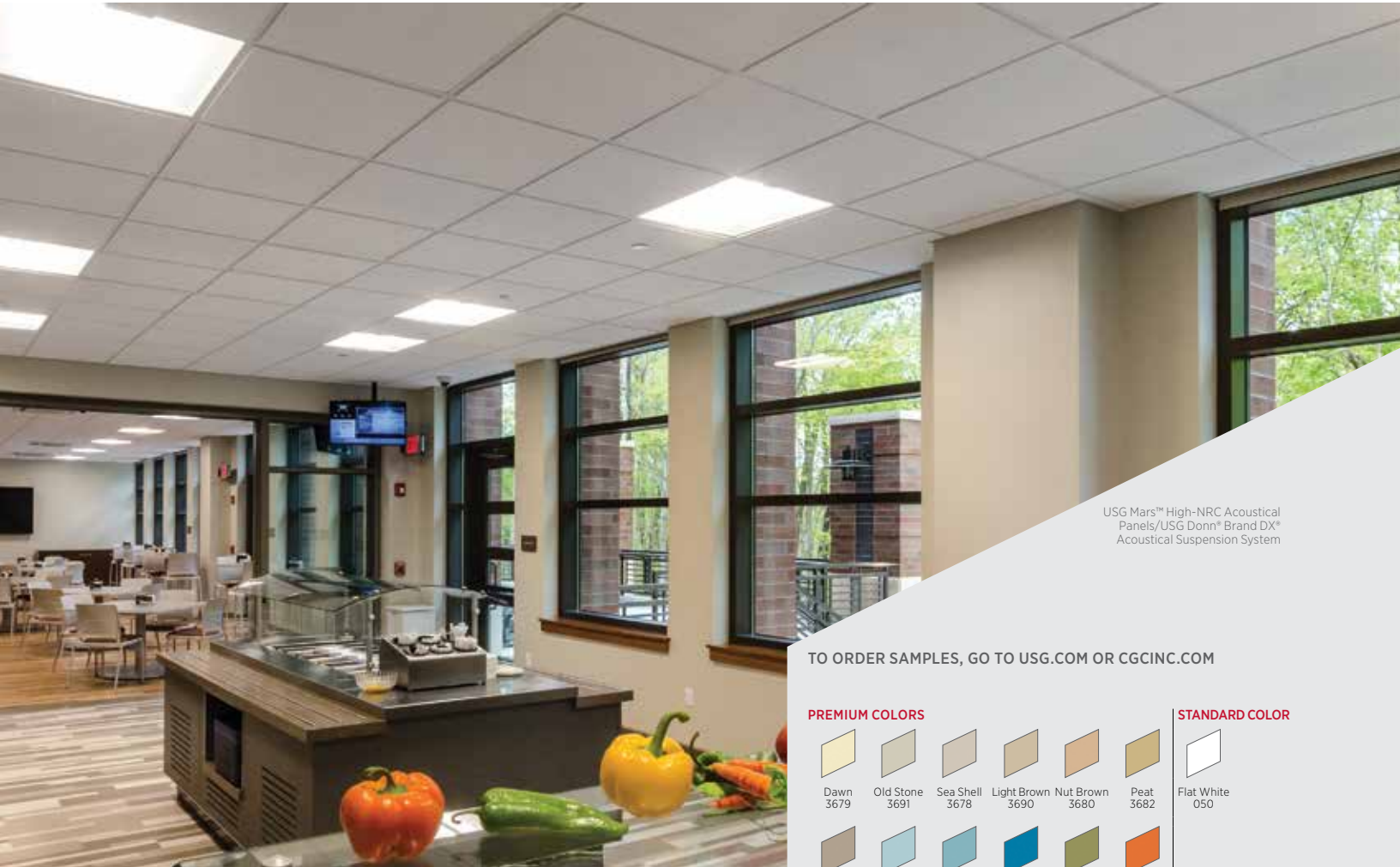
The trademarks USG, CGC, AIRCARE, AX, CENTRICITEE, CLIMAPLUS, DONN, DX, DXF, DXFF, DXI, DXL, DXLA, DXT, DXW, ECOBLUEPRINT, FINELINE, IDENTITEE, MARS, ZXLA, IT'S YOUR WORLD, BUILD IT, the USG/CGC logo, the design elements and colors, and related marks are trademarks of USG Corporation or its affiliates.

Safety First! Follow good safety/industrial hygiene practices during installation. Wear appropriate personal protective equipment. Read SDS and literature before specification and installation.



# USG MARS™ HIGH-NRC/HIGH-CAC ACOUSTICAL PANELS

CLIMAPLUS™ PERFORMANCE WITH PLANT-BASED BINDER<sup>9</sup>



USG Mars™ High-NRC Acoustical Panels/USG Donn® Brand DX® Acoustical Suspension System

TO ORDER SAMPLES, GO TO [USG.COM](http://USG.COM) OR [CGCINC.COM](http://CGCINC.COM)

**PREMIUM COLORS**

Dawn 3679	Old Stone 3691	Sea Shell 3678	Light Brown 3690	Nut Brown 3680	Peat 3682
Shale 3683	Ocean Ridge 3684	Atmosphere 3681	Laguna 3685	Grass 3688	Tangy Taleia 3689

**STANDARD COLOR**

Flat White 050
----------------

**CUSTOM COLOR**

Unlimited Color Options

## FEATURES AND BENEFITS

- Balanced Acoustics. Wide range of options. Sound absorption NRC up to 0.90 and sound attenuation CAC up to 40.
- High light-reflective finish (LR-0.90 White products).
- Washable and scrubbable finish.<sup>6</sup>
- Impact and scratch resistant.<sup>6</sup>
- Coordinates visually with USG Halcyon™ Acoustical Panels for open- or closed-plan applications.
- Nondirectional, monolithic visual reduces installation time and waste.
- ClimaPlus™ 30-year limited system warranty against visible sag, mold and mildew.
- GREENGUARD Gold certified for low emitting performance.
- USG Mars™ High-NRC/High-CAC Acoustical Panels are part of the Ecoblueprint™ portfolio — meeting today's sustainability standards. For sustainability documentation go to [USG.com](http://USG.com) or [CGCInc.com](http://CGCInc.com).

## APPLICATIONS

- Offices
- Healthcare
- Classrooms and corridors
- Reception areas and lobbies
- Department stores and retail
- Restaurants and hospitality

## SUBSTRATE

- Wet-formed mineral fiber

Fine-Textured Panel



**USG MARS™ HIGH-NRC PANELS 90/30**  
Plant-Based Binder

**USG MARS™ HIGH-NRC PANELS 85/35**  
Plant-Based Binder

# USG MARS™ HIGH-NRC/HIGH-CAC ACOUSTICAL PANELS

CLIMAPLUS™ PERFORMANCE WITH PLANT-BASED BINDER<sup>9</sup>



ORDER SAMPLES/LITERATURE  
USG: [usg.com](mailto:usg.com) or [samplite@usg.com](mailto:samplite@usg.com)  
CGC: [contact@salesrepresentative.com](mailto:contact@salesrepresentative.com)

TECHNICAL SERVICES  
800 USG.4YOU (674-4968)

FOR MOST UP-TO-DATE TECHNICAL INFORMATION AND LEED REPORT TOOL  
[usgdesignstudio.com](http://usgdesignstudio.com)  
[cgcdesignstudio.com](http://cgcdesignstudio.com)

Edge	Panel Size	Fire Rating	Item No.	UL Classified <sup>5</sup>		LR <sup>2</sup>	Color	Grid Options	VOC Emissions	Anti-Mold & Mildew/Sag Resistance	Recycled Content <sup>1</sup>	Panel Cost
				NRC	CAC Min.							
SQ	2'x2'x1"	Class A	88137	0.90	30	0.90	White, color <sup>7</sup>	A,B,C	Low		67%	\$\$\$
	2'x4'x1"			0.90	30	0.90	White	A,B	Low		67%	\$\$\$
	30"x30"x1"			0.90	30	0.90	White	A,B	Low		67%	\$\$\$
	30"x60"x1"			0.90	30	0.90	White	A,B	Low		67%	\$\$\$
SLT	2'x2'x1"	Class A	88138	0.90	30	0.90	White, color <sup>7</sup>	D	Low		67%	\$\$\$
	2'x4'x1"			0.90	30	0.90	White	D	Low		67%	\$\$\$
	30"x30"x1"			0.90	30	0.90	White	D	Low		67%	\$\$\$
	30"x60"x1"			0.90	30	0.90	White	D	Low		67%	\$\$\$
FLB	2'x2'x1"	Class A	88139	0.90	30	0.90	White, color <sup>7</sup>	E,F,G,H	Low		67%	\$\$\$
	2'x4'x1"			0.90	30	0.90	White	E,F,G,H	Low		67%	\$\$\$
	30"x30"x1"			0.90	30	0.90	White	E,F,G,H	Low		67%	\$\$\$
	30"x60"x1"			0.90	30	0.90	White	E,F,G,H	Low		67%	\$\$\$
SQ	2'x2'x7/8"	Class A	88134	0.85	35	0.90	White, color <sup>7</sup>	A,B,C	Low		69%	\$\$\$
	2'x4'x7/8"			0.85	35	0.90	White	A,B	Low		69%	\$\$\$
	30"x30"x7/8"			0.85	35	0.90	White	A,B	Low		69%	\$\$\$
	30"x60"x7/8"			0.85	35	0.90	White	A,B	Low		69%	\$\$\$
SLT	2'x2'x7/8"	Class A	88135	0.85	35	0.90	White, color <sup>7</sup>	D	Low		69%	\$\$\$
	2'x4'x7/8"			0.85	35	0.90	White	D	Low		69%	\$\$\$
	30"x30"x7/8"			0.85	35	0.90	White	D	Low		69%	\$\$\$
	30"x60"x7/8"			0.85	35	0.90	White	D	Low		69%	\$\$\$
FLB	2'x2'x7/8"	Class A	88136	0.85	35	0.90	White, color <sup>7</sup>	E,F,G,H	Low		69%	\$\$\$
	2'x4'x7/8"			0.85	35	0.90	White	E,F,G,H	Low		69%	\$\$\$
	30"x30"x7/8"			0.85	35	0.90	White	E,F,G,H	Low		69%	\$\$\$
	30"x60"x7/8"			0.85	35	0.90	White	E,F,G,H	Low		69%	\$\$\$

- Low Emissions (VOC)**  
Third party (GREENGUARD Gold) certified for low-emitting performance, meets California Department of Public Health's (CDPH) Standard Method v1.2 - 2017 (CA Section 01350). Certificates of Compliance for Low VOC Emissions are available on [usg.com](http://usg.com) and at [spot.ul.com](http://spot.ul.com).
- ClimaPlus™ Warranty Performance<sup>3</sup>**  
Contains a broad-spectrum antimicrobial additive on the face and back of the panel that provides resistance against the growth of mold and mildew. Includes sag-resistance performance.
- High Recycled Content**  
USG classifies High Recycled Content as greater than 50%. Total recycled content is based on product composition of postconsumer and preconsumer (postindustrial) recycled content per FTC guidelines.

Acoustical Ceiling Panels

# USG MARS™ HIGH-NRC/HIGH-CAC ACOUSTICAL PANELS

CLIMAPLUS™ PERFORMANCE WITH PLANT-BASED BINDER<sup>9</sup>

ORDER SAMPLES/LITERATURE  
USG: usg.com or sampllit@usg.com  
CGC: contact Sales Representative

FOR MOST UP-TO-DATE TECHNICAL INFORMATION AND LEED REPORT TOOL  
usgdesignstudio.com  
cgcdesignstudio.com

TECHNICAL SERVICES  
800 USG.4YOU (874-4968)



# USG MARS™ HIGH-NRC/HIGH-CAC ACOUSTICAL PANELS

CLIMAPLUS™ PERFORMANCE WITH PLANT-BASED BINDER<sup>9</sup>

ORDER SAMPLES/LITERATURE  
USG: usg.com or sampllit@usg.com  
CGC: contact Sales Representative

FOR MOST UP-TO-DATE TECHNICAL INFORMATION AND LEED REPORT TOOL  
usgdesignstudio.com  
cgcdesignstudio.com

TECHNICAL SERVICES  
800 USG.4YOU (874-4968)



## USG MARS™ HIGH-NRC/HIGH-CAC PANELS 80/40

Plant-Based Binder

## USG MARS™ HIGH-NRC PANELS 80/35

Plant-Based Binder

## USG MARS™ HIGH-CAC PANELS 60/40

Edge	Panel Size	Fire Rating	Item No.	UL Classified			Color	Grid Options	VOC Emissions	Anti-Mold & Mildew/Sag Resistance	Recycled Content <sup>1</sup>	Panel Cost
				NRC	CAC Min.	LR <sup>2</sup>						
SQ	2'x2'x1"	Class A	86345	0.80	40	0.90	White	A,B,C	Low	High	71%	\$\$
	2'x4'x1"		88345	0.80	40	0.90	White	A,B	Low	High	71%	\$\$
SLT	2'x2'x1"	Class A	86346	0.80	40	0.90	White	D	Low	High	71%	\$\$
	2'x4'x1"		88346	0.80	40	0.90	White	D	Low	High	71%	\$\$
FLB	2'x2'x1"	Class A	86347	0.80	40	0.90	White	E,F,G,H	Low	High	71%	\$\$
	2'x4'x1"		88347	0.80	40	0.90	White	E,F,G,H	Low	High	71%	\$\$
SQ	2'x2'x7/8"	Class A	86100	0.80	35	0.90	White	A,B,C	Low	High	70%	\$\$
	2'x4'x7/8"		86300	0.80	35	0.90	White	A,B	Low	High	70%	\$\$
	30"x30"x7/8"		86426	0.80	35	0.90	White	A,B	Low	High	70%	\$\$
	30"x60"x7/8"		86429	0.80	35	0.90	White	A,B	Low	High	70%	\$\$
SLT	2'x2'x7/8"	Class A	87200	0.80	35	0.90	White	D	Low	High	70%	\$\$
	2'x4'x7/8"		89600	0.80	35	0.90	White	D	Low	High	70%	\$\$
	30"x30"x7/8"		86500	0.80	35	0.90	White	D	Low	High	70%	\$\$
	30"x60"x7/8"		86466	0.80	35	0.90	White	D	Low	High	70%	\$\$
FLB	2'x2'x7/8"	Class A	87100	0.80	35	0.90	White	E,F,G,H	Low	High	70%	\$\$
	2'x4'x7/8"		89500	0.80	35	0.90	White	E,F,G,H	Low	High	70%	\$\$
	30"x30"x7/8"		86400	0.80	35	0.90	White	E,F,G,H	Low	High	70%	\$\$
	30"x60"x7/8"		86497	0.80	35	0.90	White	E,F,G,H	Low	High	70%	\$\$
SQ	2'x2'x3/4"	Class A	86186	0.60	40	0.90	White, color <sup>7</sup>	A,B,C	Low	High	70%	\$\$\$
	2'x4'x3/4"		87187	0.60	40	0.90	White	A,B	Low	High	70%	\$\$\$
SLT	2'x2'x3/4"	Class A	86786	0.60	40	0.90	White, color <sup>7</sup>	D	Low	High	70%	\$\$\$
	2'x4'x3/4"		88786	0.60	40	0.90	White	D	Low	High	70%	\$\$\$
FLB	2'x2'x3/4"	Class A	86986	0.60	40	0.90	White, color <sup>7</sup>	E,F,G,H	Low	High	70%	\$\$\$
	2'x4'x3/4"		88986	0.60	40	0.90	White	E,F,G,H	Low	High	70%	\$\$\$

**Low Emissions (VOC)**  
Third party (GREENGUARD Gold) certified for low-emitting performance, meets California Department of Public Health's (CDPH) Standard Method v1.2 - 2017 (CA Section 01350). 'Certificates of Compliance' for Low VOC Emissions are available on usg.com and at spot.ul.com.

**ClimaPlus™ Warranty Performance<sup>3</sup>**  
Contains a broad-spectrum antimicrobial additive on the face and back of the panel that provides resistance against the growth of mold and mildew. Includes sag-resistance performance.

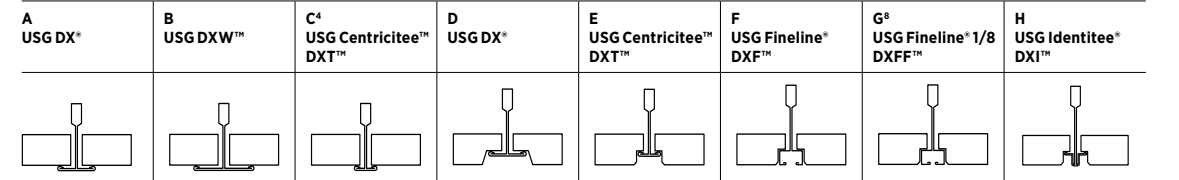
**High Recycled Content**  
USG classifies High Recycled Content as greater than 50%. Total recycled content is based on product composition of postconsumer and preconsumer (postindustrial) recycled content per FTC guidelines.

**Notice**  
The information in this document is subject to change without notice. CGC Inc. or USG Corp. assumes no responsibility for any errors that may inadvertently appear in this document.

SC2487/rev. 6-22  
© 2022 USG Corporation and/or its affiliates. All rights reserved. Printed in USA

### GRID PROFILE OPTIONS

### PHYSICAL DATA/ FOOTNOTES



**Product literature**  
Data sheet: SC2487

**ASTM E1264 classification**  
Type IV, Form 1 and 2, Pattern E, G

**ASTM E84 and CAN/ULC S102 surface-burning characteristics**  
Class A  
Flame spread: 25 or less  
Smoke developed: 50 or less

**Weight**  
1.09 - 1.36 lb./sq.ft.

**Online tools**  
usgdesignstudio.com or cgcdesignstudio.com

**Thermal resistance**  
R-2.2

**Maximum backloading**  
See USG 30-Year Limited System Warranty Commercial Applications (SC2102).

**Maintenance**  
Can be cleaned easily with a soft brush or vacuum. To clean white panels, use a clean, white cloth with water or a mild detergent and wipe surface.

**Metric sizes available**  
Contact sales for minimum quantities and lead times.

### Notes

- For details, see USG Sustainability tool at usgdesignstudio.com or cgcdesignstudio.com.
- LR values are shown as averages.
- Panel face and back surfaces treated with a proprietary, broad-spectrum antimicrobial additive that inhibits and retards the growth of mold, mildew and bacteria. For details, see USG 30-Year Limited System Warranty Commercial Applications (SC2102).
- Maximum 2'x2' with SQ edge panels.
- Acoustic values are for white only. Colored values are lower depending on specific color selected.
- White panels only.
- Available in Premium and Custom Colors.
- Not available in Premium or Custom Colors.
- All USG Mars™ High NRC Acoustical Panels with a "plant-based binder" label contain up to 65% plant-based material in the binder. For more information please refer to the USG Mars™ Acoustical Panels Health Product Declaration, available at www.usg.com

Manufactured by USG Interiors, LLC 550 West Adams Street Chicago, IL 60661

The trademarks USG, CGC, CENTRICITEE, CLIMAPLUS, DONN, DX, DXF, DXFF, DXI, DXT, DXW, ECOBLUEPRINT, FINELINE, HALCYON, IDENTITEE, MARS, IT'S YOUR WORLD, BUILD IT, the USG/CGC logo, the design elements and colors, and related marks are trademarks of USG Corporation or its affiliates.

Safety First! Follow good safety/industrial hygiene practices during installation. Wear appropriate personal protective equipment. Read SDS and literature before specification and installation.





# USG MARS™ PLANKS/USG MARS™ HIGH-NRC PLANKS

CLIMAPLUS™ PERFORMANCE WITH PLANT-BASED BINDER<sup>6</sup>



USG Mars™ High-NRC Planks with ClimaPlus™ Performance/USG Donn® Brand DX® Acoustical Suspension System

Photo this page:  
© Andrew Latreille  
Architects: Perkins+Will/KRA/Group2

TO ORDER SAMPLES, GO TO [USG.COM](http://USG.COM) OR [CGCINC.COM](http://CGCINC.COM)



Limited color options available. See Ceiling Solutions Color Program for details.

Fine-Textured Panel

## FEATURES AND BENEFITS

- Highest NRC (0.90) mineral fiber plank offering available.
- High light-reflective finish (LR-0.90) reduces light fixtures and energy use.
- Washable and scrubbable finish.
- Impact and scratch resistant.
- Available in Optimized Recycled Content formulations to help maximize LEED recycled content contribution.
- Nondirectional, monolithic visual reduces installation time and waste.
- ClimaPlus™ 30-year limited system warranty against visible sag, mold and mildew.
- Balanced Acoustics. High-NRC and High-CAC.
- GREENGUARD Gold certified for low-emitting performance.
- USG Mars™ Planks/USG Mars™ High-NRC Planks are part of the Ecoblueprint™ portfolio — meeting today's sustainability standards. For sustainability documentation go to [USG.com](http://USG.com) or [CGCInc.com](http://CGCInc.com).

## APPLICATIONS

- Offices
- Classrooms
- Healthcare
- Corridors
- Reception and lobby areas
- Convention halls and concourses

## SUBSTRATE

- Wet-formed mineral fiber



USG MARS™ PLANKS

USG MARS™ HIGH-NRC PLANKS  
Plant-Based Binder

# USG MARS™ PLANKS/USG MARS™ HIGH-NRC PLANKS

CLIMAPLUS™ PERFORMANCE WITH PLANT-BASED BINDER<sup>6</sup>



ORDER SAMPLES/LITERATURE  
USG: [usg.com](http://usg.com) or [sampllit@usg.com](mailto:sampllit@usg.com)  
CGC: contact Sales Representative

TECHNICAL SERVICES  
800 USG.4YOU (874-4968)

FOR MOST UP-TO-DATE TECHNICAL INFORMATION AND LEED REPORT TOOL  
[usgdesignstudio.com](http://usgdesignstudio.com)  
[cgcdesignstudio.com](http://cgcdesignstudio.com)

Edge	Panel Size <sup>4</sup>	Fire Rating	Item No.	NRC	CAC Min.	LR <sup>2</sup>	Color	Grid Options	VOC Emissions	Anti-Mold & Mildew/Sag Resistance	Recycled Content <sup>1</sup>	Panel Cost
SQ	2'x5'x3/4"	Class A	86221	0.75	35	0.90	White	A,B	Low	✓	69%	\$\$
	2'x6'x3/4"	Class A	86223	0.75	35	0.90	White	A,B	Low	✓	69%	\$\$
SLT	2'x5'x3/4"	Class A	86161	0.75	35	0.90	White	C	Low	✓	69%	\$\$
	2'x6'x3/4"	Class A	86166	0.75	35	0.90	White	C	Low	✓	69%	\$\$
	2'x6'x3/4"	Class A	86166HRC	0.70	35	0.90	White	C	Low	✓	81%	\$\$
FLB	2'x5'x3/4"	Class A	88984	0.75	35	0.90	White	D,E,F,G	Low	✓	69%	\$\$
	2'x6'x3/4"	Class A	88996	0.75	35	0.90	White	D,E,F,G	Low	✓	69%	\$\$
	2'x6'x3/4"	Class A	88996HRC	0.70	35	0.90	White	D,E,F,G	Low	✓	81%	\$\$
SQ	2'x5'x1"	Class A	89673	0.90	30	0.90	White	A,B	Low	✓	67%	\$\$
	2'x6'x1"	Class A	89674	0.90	30	0.90	White	A,B	Low	✓	67%	\$\$
	2'x5'x7/8"	Class A	89662	0.85	35	0.90	White	A,B	Low	✓	69%	\$\$
	2'x6'x7/8"	Class A	89663	0.85	35	0.90	White	A,B	Low	✓	69%	\$\$
	2'x5'x7/8"	Class A	86350	0.80	35	0.90	White	A,B	Low	✓	70%	\$\$
	2'x6'x7/8"	Class A	86360	0.80	35	0.90	White	A,B	Low	✓	70%	\$\$

**Low Emissions (VOC)**  
Third party (GREENGUARD Gold) certified for low-emitting performance, meets California Department of Public Health's (CDPH) Standard Method v1.2 - 2017 (CA Section 01350). 'Certificates of Compliance' for Low VOC Emissions are available on [usg.com](http://usg.com) and at [spot.ul.com](http://spot.ul.com).

**ClimaPlus™ Warranty Performance<sup>3</sup>**  
Contains a broad-spectrum antimicrobial additive on the face and back of the panel that provides resistance against the growth of mold and mildew. Includes sag-resistance performance.

**High Recycled Content**  
USG classifies High Recycled Content as greater than 50%. Total recycled content is based on product composition of postconsumer and preconsumer (postindustrial) recycled content per FTC guidelines.

Acoustical Ceiling Panels



**USG MARS™  
HIGH-NRC PLANKS CONT.**  
Plant-Based Binder

## USG MARS™ PLANKS/USG MARS™ HIGH-NRC PLANKS

CLIMAPLUS™ PERFORMANCE WITH PLANT-BASED BINDER<sup>6</sup>



**ORDER SAMPLES/LITERATURE**  
USG: usg.com or samplitt@usg.com  
CGC: contact Sales Representative

**TECHNICAL SERVICES**  
800 USG.4YOU (874-4968)

**FOR MOST UP-TO-DATE  
TECHNICAL INFORMATION  
AND LEED REPORT TOOL**  
usgdesignstudio.com  
cgcdesignstudio.com

UL Classified

Edge	Panel Size <sup>4</sup>	Fire Rating	Item No.	NRC	CAC Min.	LR <sup>2</sup>	Color	Grid Options	VOC Emissions	Anti-Mold & Mildew/Sag Resistance	Recycled Content <sup>1</sup>	Panel Cost
SLT	2'x5'x1"	Class A	89675	0.90	30	0.90	White	C	Low		67%	\$\$
	2'x6'x1"	Class A	89676	0.90	30	0.90	White	C	Low		67%	\$\$
	2'x5'x7/8"	Class A	89664	0.85	35	0.90	White	C	Low		69%	\$\$
	2'x6'x7/8"	Class A	89665	0.85	35	0.90	White	C	Low		69%	\$\$
	2'x5'x7/8"	Class A	89650	0.80	35	0.90	White	C	Low		70%	\$\$
	2'x6'x7/8"	Class A	89660	0.80	35	0.90	White	C	Low		70%	\$\$
FLB	2'x5'x1"	Class A	89677	0.90	30	0.90	White	D,E, F,G	Low		67%	\$\$
	2'x6'x1"	Class A	89678	0.90	30	0.90	White	D,E, F,G	Low		67%	\$\$
	2'x5'x7/8"	Class A	89667	0.85	35	0.90	White	D,E, F,G	Low		69%	\$\$
	2'x6'x7/8"	Class A	89668	0.85	35	0.90	White	D,E, F,G	Low		69%	\$\$
	2'x5'x7/8"	Class A	89550	0.80	35	0.90	White	D,E, F,G	Low		70%	\$\$
	2'x6'x7/8"	Class A	89670	0.80	35	0.90	White	D,E, F,G	Low		70%	\$\$

**Low Emissions (VOC)**

Third party (GREENGUARD Gold) certified for low-emitting performance, meets California Department of Public Health's (CDPH) Standard Method v1.2 - 2017 (CA Section 01350). 'Certificates of Compliance' for Low VOC Emissions are available on usg.com and at spot.ul.com.

**ClimaPlus™ Warranty Performance<sup>3</sup>**

Contains a broad-spectrum antimicrobial additive on the face and back of the panel that provides resistance against the growth of mold and mildew. Includes sag-resistance performance.

**High Recycled Content**

USG classifies High Recycled Content as greater than 50%. Total recycled content is based on product composition of postconsumer and preconsumer (postindustrial) recycled content per FTC guidelines.



GRID PROFILE OPTIONS

PHYSICAL DATA/  
FOOTNOTES

## USG MARS™ PLANKS/USG MARS™ HIGH-NRC PLANKS

CLIMAPLUS™ PERFORMANCE WITH PLANT-BASED BINDER<sup>6</sup>



**ORDER SAMPLES/LITERATURE**  
USG: usg.com or samplitt@usg.com  
CGC: contact Sales Representative

**TECHNICAL SERVICES**  
800 USG.4YOU (874-4968)

**FOR MOST UP-TO-DATE  
TECHNICAL INFORMATION  
AND LEED REPORT TOOL**  
usgdesignstudio.com  
cgcdesignstudio.com

A USG DX*	B USG DXW™	C USG DX*	D USG Centricitee™ DXT™	E USG Fineline® DXF™	F USG Fineline® 1/8 DXFF™	G USG Identitee® DXI™

**Product literature**  
Data sheet: SC2509

**ASTM E1264 classification**  
Type IV, Form 1 and 2, Pattern E, G

**ASTM E84 and CAN/ULC S102  
surface-burning characteristics**  
Class A  
Flame spread: 25 or less  
Smoke developed: 50 or less

**Weight**  
1.01 lb./sq. ft. (3/4" panels)  
1.09-1.12 lb./sq. ft. (7/8" panels)  
1.25 lb./sq. ft. (1" panels)

**Online tools**  
usgdesignstudio.com or cgcdesignstudio.com

**Thermal resistance**  
R-2.2 (3/4" panel)

**Maximum backloading**  
See USG 30-Year Limited System Warranty Commercial Applications (SC2102).

**Maintenance**  
Can be cleaned easily with a soft brush or vacuum. To clean panel, use a clean, white cloth with water or a mild detergent and wipe surface. To disinfect panel, lightly spray surface and wipe clean with a clean, white cloth.

**Metric sizes available**

Contact sales for minimum quantities and lead times.

**Notes**

- For details, see USG Sustainability tool at usgdesignstudio.com or cgcdesignstudio.com.
- LR values are shown as averages.
- Panel face and back surfaces treated with a proprietary, broad-spectrum antimicrobial additive that inhibits and retards the growth of mold and mildew. For details, see USG 30-Year Limited System Warranty Commercial Applications (SC2102).
- Stabilizer bar required if opening ≥ 60". For more information about stabilizer bars, please refer to *Plank and Large Panel Stabilizer Bars Application Guide* (IC592).
- Select custom color panels are available in limited sizes and edge profiles. Minimum order quantities apply. Please contact your local sales representative for availability, pricing, minimum order quantities and lead times.
- All USG Mars™ High NRC Acoustical Panels with a "plant-based binder" label contain up to 65% plant-based material in the binder. For more information please refer to the USG Mars™ Acoustical Panels Health Product Declaration, available at [www.usg.com](http://www.usg.com)

**Notice**  
The information in this document is subject to change without notice. CGC Inc. or USG Corp. assumes no responsibility for any errors that may inadvertently appear in this document.

SC2509/rev. 6-22  
© 2022 USG Corporation and/or its affiliates. All rights reserved. Printed in USA

Manufactured by USG Interiors, LLC 550 West Adams Street Chicago, IL 60661

The trademarks USG, CGC, CENTRICITEE, CLIMAPLUS, DONN, DX, DXF, DXFF, DXI, DXT, DXW, ECOBLUEPRINT, FINELINE, IDENTITEE, MARS, IT'S YOUR WORLD. BUILD IT., the USG/CGC logo, the design elements and colors, and related marks are trademarks of USG Corporation or its affiliates.

Safety First! Follow good safety/industrial hygiene practices during installation. Wear appropriate personal protective equipment. Read SDS and literature before specification and installation.



# USG MILLENNIA®/USG MILLENNIA® HIGH-NRC ACOUSTICAL PANELS

CLIMAPLUS™ PERFORMANCE



USG Millennia® Acoustical Panels with ClimaPlus™ Performance/USG Donn® Brand DX® Acoustical Suspension System

TO ORDER SAMPLES, GO TO USG.COM OR CGCINC.COM



Fine-Textured Panel

## FEATURES AND BENEFITS

- Balanced Acoustics. Sound absorption up to 0.75 NRC and sound attenuation up to 35 CAC.
- High NRC panels meet the demanding sound control needs of open-plan offices.
- ClimaPlus™ 30-year limited system warranty against visible sag, mold and mildew.

## APPLICATIONS

- Retail stores
- Hospitality
- Office and conference areas
- Transportation terminals
- Libraries
- Reception and lobby areas

## SUBSTRATE

- Wet-formed mineral fiber



PRODUCT CERTIFIED FOR LOW CHEMICAL EMISSIONS: UL COM/CG UL 2818

## USG MILLENNIA® PANELS

## USG MILLENNIA® HIGH-NRC PANELS

## USG MILLENNIA® ILLUSION™ TWO/24 PANELS

## PATTERNS

## GRID PROFILE OPTIONS

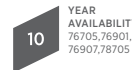
## PHYSICAL DATA/ FOOTNOTES

**Notice**  
The information in this document is subject to change without notice. CGC Inc. or USG Corp. assumes no responsibility for any errors that may inadvertently appear in this document.

SC1824/rev. 6-22  
© 2022 USG Corporation and/or its affiliates. All rights reserved. Printed in USA

# USG MILLENNIA®/USG MILLENNIA® HIGH-NRC ACOUSTICAL PANELS

CLIMAPLUS™ PERFORMANCE



ORDER SAMPLES/LITERATURE  
USG: usg.com or samplit@usg.com  
CGC: contact Sales Representative

TECHNICAL SERVICES  
800 USG.4YOU (874-4968)

FOR MOST UP-TO-DATE TECHNICAL INFORMATION AND LEED REPORT TOOL  
usgdesignstudio.com  
cgcdesignstudio.com

Edge	Panel Size	Fire Rating	Item No.	UL Classified			Color	Grid Options	VOC Emissions	Anti-Mold & Mildew	Recycled Content <sup>1</sup>	Panel Cost
				NRC	CAC Min.	LR <sup>2</sup>						
SQ	2'x2'x3/4"	Class A	76505	0.70	35	0.85	White	A,B,C	Low	[Green Checkmark]	76%	\$\$
	2'x4'x3/4"			78505	0.70	35						
SLT	2'x2'x3/4"	Class A	76705	0.70	35	0.85	White	D	Low	[Green Checkmark]	76%	\$\$
	2'x4'x3/4"			78705	0.70	35						
FLB	2'x2'x3/4"	Class A	76907	0.70	35	0.85	White	E,F,G,H	Low	[Green Checkmark]	76%	\$\$
	2'x4'x3/4"			76901	0.70	35						
SLT	2'x2'x3/4"	Class A	76201	0.75	30	0.85	White	A	Low	[Green Checkmark]	80%	\$\$
FLB	2'x2'x3/4"	Class A	76302	0.75	30	0.85	White	E,F,G,H	Low	[Green Checkmark]	80%	\$\$
SLT <sup>3</sup>	2'x4'x3/4"	Class A	78780	0.70	35	0.85	White	D	Low	[Green Checkmark]	77%	\$\$
ILT <sup>4</sup>	2'x4'x3/4"	Class A	78080	0.70	35	0.85	White	I	Low	[Green Checkmark]	77%	\$\$

## Illusion™ Two/24



The look of 2'x2' panels

## Low Emissions (VOC)

Third party (GREENGUARD Gold) certified for low-emitting performance, meets California Department of Public Health's (CDPH) Standard Method v1.2 - 2017 (CA Section 01350). 'Certificates of Compliance' for Low VOC Emissions are available on usg.com and at spot.ul.com.

## ClimaPlus™ Warranty Performance<sup>5</sup>

Contains a broad-spectrum antimicrobial additive on the face and back of the panel that provides resistance against the growth of mold and mildew. Includes sag-resistance performance.

## High Recycled Content

USG classifies High Recycled Content as greater than 50%. Total recycled content is based on product composition of postconsumer and preconsumer (postindustrial) recycled content per FTC guidelines.

A USG DX®	B USG DXW™	C <sup>5</sup> USG Centricitee™ DXT™	D USG DX®	E USG Centricitee™ DXT™	F USG Fineline® DXF™	G USG Fineline® 1/8 DXFF™	H USG Identitee® DXI™	I USG Centricitee™ DXT™

## Product literature

Data sheet: SC1824

## ASTM E1264 classification

Type III, Form 1, Pattern E, G

## ASTM E84 and CAN/ULC S102 surface-burning characteristics

Class A  
Flame spread: 25 or less  
Smoke developed: 50 or less

## Weight

0.927-1.03 lb./sq. ft. (panels and tile)

## Thermal resistance

R-2.0

## Maximum backloading

See USG 30-Year Limited System Warranty Commercial Applications (SC2102).

## Maintenance

Can be cleaned easily with a soft brush or vacuum.

## Proprietary technology

This product's unique combination of sag resistance and sound performance results from a proprietary technology.

## Online tools

usgdesignstudio.com or cgcdesignstudio.com

## Metric sizes available

Contact sales for minimum quantities and lead times.

## Notes

1. For details, see USG Sustainability tool at usgdesignstudio.com or cgcdesignstudio.com.
2. LR values are shown as averages.
3. Panels have a 15/16" routing.
4. Panels have a 9/16" routing.
5. Panel face and back surfaces treated with a proprietary, broad-spectrum antimicrobial addition that inhibits and retards the growth of mold and mildew. For details, see USG 30-Year Limited System Warranty Commercial Applications (SC2102).
6. Maximum 2'x2' with SQ edge panels.

Manufactured by USG Interiors, LLC 550 West Adams Street Chicago, IL 60661

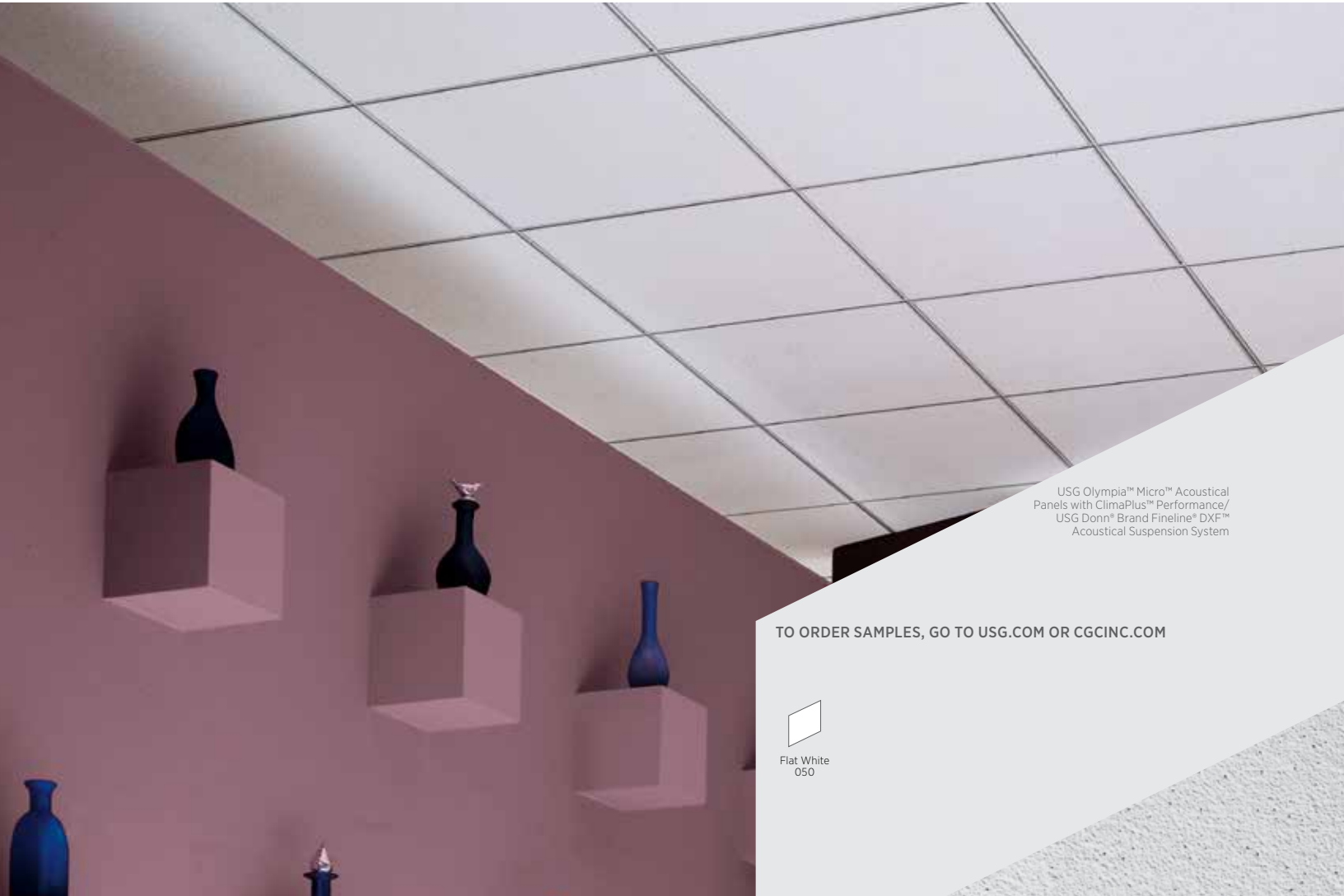
The trademarks USG, CGC, CENTRICITEE, CLIMAPLUS, DONN, DX, DXF, DXFF, DXI, DXT, DXW, FINELINE, IDENTITEE, ILLUSION, MILLENNIA, IT'S YOUR WORLD, BUILD IT., the USG/CGC logo, the design elements and colors, and related marks are trademarks of USG Corporation or its affiliates.

Safety First! Follow good safety/industrial hygiene practices during installation. Wear appropriate personal protective equipment. Read SDS and literature before specification and installation.



# USG OLYMPIA™ MICRO™ ACOUSTICAL PANELS

CLIMAPLUS™ PERFORMANCE



USG Olympia™ Micro™ Acoustical Panels with ClimaPlus™ Performance/USG Donn® Brand Fineline® DXF™ Acoustical Suspension System

TO ORDER SAMPLES, GO TO USG.COM OR CGCINC.COM



Fine-Textured Panel

## FEATURES AND BENEFITS

- Nondirectional pattern reduces installation time and waste.
- Economical, fine-textured panel.
- Excellent light-reflective finish (LR-0.86) reduces light fixtures and energy use.
- USDA Certified Biobased Product.<sup>7</sup>
- ClimaPlus™ 30-year limited system warranty against visible sag, mold and mildew.

## APPLICATIONS

- Offices
- Classrooms
- Reception/lobby areas
- Hotels
- Conference areas
- Retail stores

## SUBSTRATE

- Wet-formed mineral fiber



USG OLYMPIA™ MICRO™ PANELS UNPERFORATED<sup>9</sup>

USG OLYMPIA™ MICRO™ PANELS 50 NRC<sup>6</sup>

USG OLYMPIA™ MICRO™ PANELS 60 NRC<sup>6</sup>

USG OLYMPIA™ MICRO™ ILLUSION™ TWO/24 PANELS

## PATTERNS

## GRID PROFILE OPTIONS

## PHYSICAL DATA/ FOOTNOTES

**Notice**  
The information in this document is subject to change without notice. CGC Inc. or USG Corp. assumes no responsibility for any errors that may inadvertently appear in this document.

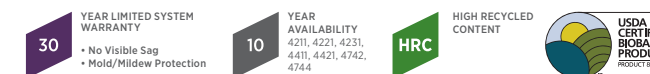
SC2180/rev. 6-22  
© 2022 USG Corporation and/or its affiliates. All rights reserved. Printed in USA

# USG OLYMPIA™ MICRO™ ACOUSTICAL PANELS

CLIMAPLUS™ PERFORMANCE

ORDER SAMPLES/LITERATURE  
USG: usg.com or sampllit@usg.com  
CGC: contact Sales Representative

FOR MOST UP-TO-DATE  
TECHNICAL INFORMATION  
AND LEED REPORT TOOL  
usgdesignstudio.com  
cgcdesignstudio.com



Edge	Panel Size	Fire Rating	Item No.	UL Classified		LR <sup>2</sup>	Color	Grid Options	VOC Emissions	Anti-Mold & Mildew	Recycled Content <sup>1</sup>	Panel Cost
				NRC	CAC Min.							
SQ	2'x2'x5/8"	Class A	4210	—	35	0.86	White	A,B,C	Low	✓	41%	\$\$
	2'x4'x5/8"			—	35							
SQ	2'x2'x5/8"	Class A	4211	0.50	30	0.86	White	A,B,C	Low	✓	41%	\$\$
	2'x4'x5/8"			0.50	30							
SLT	2'x2'x5/8"	Class A	4221	0.50	35	0.86	White	D	Low	✓	41%	\$\$
	2'x4'x5/8"			0.50	35							
FLB	2'x2'x5/8"	Class A	4231	0.50	35	0.86	White	E,F,G,H	Low	✓	41%	\$\$
	2'x4'x5/8"			0.50	35							
SQ	2'x2'x3/4"	Class A	4750	0.60	33	0.86	White	A,B,C	Low	✓	58%	\$\$
	2'x4'x3/4"			0.60	33							
SLT	2'x2'x3/4"	Class A	4752	0.60	35	0.86	White	D	Low	✓	58%	\$\$
	2'x4'x3/4"			0.60	35							
FLB	2'x2'x3/4"	Class A	4754	0.60	35	0.86	White	E,F,G,H	Low	✓	58%	\$\$
	2'x4'x3/4"			0.60	35							
SLT <sup>4</sup>	2'x4'x3/4"	Class A	4742	0.50	35	0.86	White	D	Low	✓	58%	\$\$
ILT <sup>5</sup>	2'x4'x3/4"	Class A	4744	0.50	35	0.86	White	I,J	Low	✓	58%	\$\$

## USG Illusion™ Two/24



The look of 2'x2' panels

## Low Emissions (VOC)

Third party (GREENGUARD Gold) certified for low-emitting performance, meets California Department of Public Health's (CDPH) Standard Method v1.2 - 2017 (CA Section 01350). 'Certificates of Compliance' for Low VOC Emissions are available on usg.com and at spot.ul.com.

## ClimaPlus™ Warranty Performance<sup>3</sup>

Contains a broad-spectrum antimicrobial additive on the face and back of the panel that provides resistance against the growth of mold and mildew. Includes sag-resistance performance.

## High Recycled Content

USG classifies High Recycled Content as greater than 50%. Total recycled content is based on product composition of postconsumer and preconsumer (postindustrial) recycled content per FTC guidelines.

A USG DX*	B USG DXW™	C* USG Centricitee™ DXT™	D USG DX*	E USG Centricitee™ DXT™	F USG Identitee® DXI™	G USG Fineline® DXF™	H USG Fineline® 1/8 DXFF™	I USG Centricitee™ DXT™	J USG Identitee® DXI™

**Product literature**  
Data sheet: SC2180

**ASTM E1264 classification**  
Type III, Form 2, Pattern CE

**ASTM E84 and CAN/ULC S102 surface-burning characteristics**  
Class A  
Flame spread: 25 or less  
Smoke developed: 50 or less

**Online tools**  
usgdesignstudio.com or cgcdesignstudio.com

**Weight**  
0.775-0.993 lb./sq. ft.

**Thermal resistance**  
R-1.4 (5/8" panels)  
R-1.7 (3/4" panels)

**Maximum backloading**  
See USG 30-Year Limited System Warranty Commercial Applications (SC2102).

**Maintenance**  
Can be cleaned easily with a soft brush or vacuum.

## Notes

1. For details, see USG Sustainability tool at usgdesignstudio.com or cgcdesignstudio.com.
2. LR values are shown as averages.
3. For details, see USG 30-Year Limited System Warranty Commercial Applications (SC2102).
4. Panels have 15/16" routing.
5. Panels have 9/16" routing.

6. Mixing 0.50 and 0.60 NRC panels in the same ceiling plane is not recommended.

7. This product has achieved both BioPreferred initiatives: Federal Procurement Preference and Certified Product Labeling. See the complete listing of all USG ceiling panels on biopreferred.gov website.

8. Maximum 2'x2' with SQ edge panels.

9. Item numbers 4210 and 4913 are not UL Classified for acoustics.

Manufactured by USG Interiors, LLC, 550 West Adams Street Chicago, IL 60661

The trademarks USG, CGC, CENTRICITEE, CLIMAPLUS, DONN, DX, DXF, DXFF, DXI, DXT, DXW, FINELINE, IDENTITEE, ILLUSION, MICRO, OLYMPIA, IT'S YOUR WORLD, BUILD IT, the USG/CGC logo, the design elements and colors, and related marks are trademarks of USG Corporation or its affiliates.

Safety First! Follow good safety/industrial hygiene practices during installation. Wear appropriate personal protective equipment. Read SDS and literature before specification and installation.



Acoustical Ceiling Panels

# USG ORION™ ACOUSTICAL PANELS

CLIMAPLUS™ PERFORMANCE



PRODUCT CERTIFIED FOR LOW CHEMICAL EMISSIONS: ULCOM/CG UL2818

## USG ORION™ ACOUSTICAL PANELS

CLIMAPLUS™ PERFORMANCE

ORDER SAMPLES/LITERATURE  
USG: usg.com or samplit@usg.com  
CGC: contact Sales Representative

TECHNICAL SERVICES  
800 USG.4YOU (874-4968)

FOR MOST UP-TO-DATE  
TECHNICAL INFORMATION  
AND LEED REPORT TOOL  
usgdesignstudio.com  
cgcdesignstudio.com



Edge	Panel Size	Fire Rating	Item No.	UL Classified			Color	Grid Options	VOC Emissions	Anti-Mold & Mildew	Recycled Content <sup>1</sup>	
				NRC	CAC	LR <sup>2</sup>					Total RC	Panel Cost
SQ	2'x2'x1/2"	Class A	62156	0.60	23	0.87	White	A,B,C	Low	✓	71%	\$
	2'x4'x1/2"	Class A	62157	0.60	23	0.87	White	A,B	Low	✓	71%	\$
SQ	2'x2'x5/8"	Class A	62150	0.75	24	0.87	White	A,B,C	Low	✓	69%	\$\$
	2'x4'x5/8"	Class A	62151	0.75	24	0.87	White	A,B	Low	✓	69%	\$\$
SLT	2'x2'x5/8"	Class A	62152	0.75	24	0.87	White	D	Low	✓	69%	\$\$
	2'x4'x5/8"	Class A	62153	0.75	24	0.87	White	D	Low	✓	69%	\$\$
FLB	2'x2'x5/8"	Class A	62154	0.75	24	0.87	White	E,F,G,H	Low	✓	69%	\$\$
	2'x4'x5/8"	Class A	62155	0.75	24	0.87	White	E,F,G,H	Low	✓	69%	\$\$
SQ	2'x2'x5/8"	Class A	62162	0.85	24	0.87	White	A,B,C	Low	✓	71%	\$\$
	2'x4'x5/8"	Class A	62163	0.85	24	0.87	White	A,B	Low	✓	71%	\$\$
SLT	2'x2'x5/8"	Class A	62164	0.85	24	0.87	White	D	Low	✓	71%	\$\$
	2'x4'x5/8"	Class A	62165	0.85	24	0.87	White	D	Low	✓	71%	\$\$
FLB	2'x2'x5/8"	Class A	62166	0.85	24	0.87	White	E,F,G,H	Low	✓	71%	\$\$
	2'x4'x5/8"	Class A	62167	0.85	24	0.87	White	E,F,G,H	Low	✓	71%	\$\$

USG Orion™ Acoustical Panels with ClimaPlus™ Performance/USG Donn® Brand DX® Acoustical Suspension System

TO ORDER SAMPLES, GO TO USG.COM OR CGCINC.COM



Fine-Textured Panel

### FEATURES AND BENEFITS

- Excellent noise reduction.
- High light-reflective finish (LR-0.87) reduces light fixtures and energy use.
- Nondirectional, monolithic visual reduces installation time and waste.
- ClimaPlus™ 30-year limited system warranty against visible sag, mold and mildew.
- Wide range of acoustical performance.
- USG Orion™ Acoustical Panels are part of the Ecoblueprint™ portfolio — meeting today's sustainability standards. For sustainability documentation go to USG.com or CGCInc.com.

### APPLICATIONS

- Offices
- Conference rooms
- Healthcare (HIPAA requirements)
- Classrooms
- Corridors
- Reception/lobby areas
- Dining rooms

### SUBSTRATE

- Wet-formed mineral fiber

### GRID PROFILE OPTIONS

A USG DX®	B USG DXW™	C⁴ USG Centricitee™ DXT™	D USG DX®	E USG Centricitee™ DXT™	F USG Fineline® DXF™	G USG Fineline® 1/8 DXFF™	H USG Identitee® DXI™

### PHYSICAL DATA/ FOOTNOTES

**Product literature**  
Data sheet: SC2648

**ASTM E1264 classification**  
Mineral Fiber: Type IV, Form 1 and 2, Pattern E,G

**ASTM E84 and CAN/ULC S102 surface-burning characteristics**  
Class A  
Flame spread: 25 or less  
Smoke developed: 50 or less

**Weight**  
0.71 lb./sq. ft. 1/2" Mineral Fiber  
0.63 lb./sq. ft. 5/8" Mineral Fiber

**Online tools**  
usgdesignstudio.com or cgcdesignstudio.com

**Thermal resistance**  
R-1.8

**Maximum backloading**  
See USG 30-Year Limited System Warranty Commercial Applications (SC2102).

**Maintenance**  
Can be cleaned easily with a soft brush or vacuum. To clean panel, use a clean, white cloth with water or a mild detergent and wipe surface.

**Metric sizes available**  
Contact sales for minimum quantities and lead times.

### Notes

1. For details, see USG Sustainability tool at usgdesignstudio.com or cgcdesignstudio.com.
2. LR values are shown as averages.
3. Panel face and back surfaces treated with a proprietary, broad-spectrum antimicrobial additive that inhibits and retards the growth of mold, mildew and bacteria. For details, see USG 30-Year Limited System Warranty Commercial Applications (SC2102).
4. Maximum 2'x2" with SQ edge panels.

**Notice**  
The information in this document is subject to change without notice. CGC Inc. or USG Corp. assumes no responsibility for any errors that may inadvertently appear in this document.

SC2648/rev. 6-22  
© 2022 USG Corporation and/or its affiliates. All rights reserved. Printed in USA

Manufactured by USG Interiors, LLC  
550 West Adams Street  
Chicago, IL 60661

The trademarks USG, CGC, CENTRICITEE, CLIMAPLUS, DONN, DX, DXF, DXFF, DXI, DXT, DXW, FINELINE, IDENTITEE, ORION, IT'S YOUR WORLD, BUILD IT., the USG/CGC logo, the design elements and colors, and related marks are trademarks of USG Corporation or its affiliates.

Safety First! Follow good safety/industrial hygiene practices during installation. Wear appropriate personal protective equipment. Read SDS and literature before specification and installation.



Acoustical Ceiling Panels

# USG PEBBLED™ ACOUSTICAL PANELS

CLIMAPLUS™ PERFORMANCE



USG Pebbled™ Acoustical Panels with ClimaPlus™ Performance/USG Donn® Brand DX® Acoustical Suspension System

TO ORDER SAMPLES, GO TO [USG.COM](http://USG.COM) OR [CGCINC.COM](http://CGCINC.COM)



Medium-Textured Panel



PRODUCT CERTIFIED FOR LOW CHEMICAL EMISSIONS: ULCOM/CG UL2818

## USG PEBBLED™ PANELS

## GRID PROFILE OPTIONS

## PHYSICAL DATA/ FOOTNOTES

**Notice**  
The information in this document is subject to change without notice. CGC Inc. or USG Corp. assumes no responsibility for any errors that may inadvertently appear in this document.

SC1836/rev. 6-22  
© 2022 USG Corporation and/or its affiliates. All rights reserved. Printed in USA

# USG PEBBLED™ ACOUSTICAL PANELS

CLIMAPLUS™ PERFORMANCE



Edge	Panel Size	Fire Rating	Item No.	UL Classified			Color	Grid Options	VOC Emissions	Anti-Mold & Mildew	Recycled Content <sup>1</sup>	Panel Cost
				NRC	CAC Min.	LR <sup>2</sup>						
SQ	2'x2'x5/8"	Class A	4801	0.55	35	0.86	White	A,B,C	Low	✓	42%	\$\$
	2'x4'x5/8"	Class A	4800	0.55	35	0.86	White	A,B	Low	✓	42%	\$\$
SLT	2'x2'x5/8"	Class A	4805	0.55	35	0.86	White	D	Low	✓	42%	\$\$
FLB	2'x2'x5/8"	Class A	4867	0.55	35	0.86	White	E,F,G,H	Low	✓	42%	\$\$

### Low Emissions (VOC)

Third party (GREENGUARD Gold) certified for low-emitting performance, meets California Department of Public Health's (CDPH) Standard Method v1.2 - 2017 (CA Section 01350). 'Certificates of Compliance' for Low VOC Emissions are available on [usg.com](http://usg.com) and at [spot.ul.com](http://spot.ul.com).

### ClimaPlus™ Warranty Performance<sup>3</sup>

Contains a broad-spectrum antimicrobial additive on the face and back of the panel that provides resistance against the growth of mold and mildew. Includes sag-resistance performance.

A USG DX®	B USG DXW™	C <sup>4</sup> USG Centricitee™ DXT™	D USG DX®	E USG Centricitee™ DXT™	F USG Fineline® DXF™	G USG Fineline® 1/8 DXFF™	H USG Identitee® DXI™

**Product literature**  
Data sheet: SC1836

**ASTM E1264 classification**  
Type III, Form 2, Pattern CE

**ASTM E84 and CAN/ULC S102 surface-burning characteristics**  
Class A  
Flame spread: 25 or less  
Smoke developed: 50 or less

**Weight**  
0.83 lb./sq. ft.

**Online tools**  
[usgdesignstudio.com](http://usgdesignstudio.com) or [cgcdesignstudio.com](http://cgcdesignstudio.com)

**Thermal resistance**  
R-1.4

**Maximum backloading**  
See *USG 30-Year Limited System Warranty Commercial Applications (SC2102)*.

**Maintenance**  
Can be cleaned easily with a soft brush or vacuum.

**Metric sizes available**  
Contact sales for minimum quantities and lead times.

- Notes**
- For details, see USG Sustainability tool at [usgdesignstudio.com](http://usgdesignstudio.com) or [cgcdesignstudio.com](http://cgcdesignstudio.com).
  - LR values are shown as averages.
  - For details, see *USG 30-Year Limited System Warranty Commercial Applications (SC2102)*.
  - Maximum 2'x2' with SQ edge panels.

ORDER SAMPLES/LITERATURE  
USG: [usg.com](http://usg.com) or [sampllit@usg.com](mailto:sampllit@usg.com)  
CGC: contact Sales Representative

TECHNICAL SERVICES  
800 USG.4YOU (874-4968)

FOR MOST UP-TO-DATE TECHNICAL INFORMATION AND LEED REPORT TOOL  
[usgdesignstudio.com](http://usgdesignstudio.com)  
[cgcdesignstudio.com](http://cgcdesignstudio.com)

Manufactured by USG Interiors, LLC 550 West Adams Street Chicago, IL 60661

The trademarks USG, CGC, CENTRICITEE, CLIMAPLUS, DONN, DX, DXF, DXFF, DXI, DXT, DXW, FINELINE, IDENTITEE, PEBBLED, IT'S YOUR WORLD, BUILD IT, the USG/CGC logo, the design elements and colors, and related marks are trademarks of USG Corporation or its affiliates.

Safety First! Follow good safety/industrial hygiene practices during installation. Wear appropriate personal protective equipment. Read SDS and literature before specification and installation.



# USG PREMIER HI-LITE™ ACOUSTICAL PANELS

CLIMAPLUS™ PERFORMANCE



## USG PREMIER HI-LITE™ TWILL PANELS

## USG PREMIER HI-LITE™ KAPOK PANELS

USG Premier Hi-Lite™ Twill Panels with ClimaPlus™ Performance/USG Donn® Brand DX\* Acoustical Suspension System

TO ORDER SAMPLES, GO TO USG.COM OR CGCINC.COM



### FEATURES AND BENEFITS

- Washable vinyl face for easy maintenance.
- Excellent noise reduction with NRC of 0.70 for greater sound control in open-plan spaces.
- Lightweight fiberglass basemat makes installation fast and easy.
- ClimaPlus™ 30-year limited system warranty against visible sag, mold and mildew.

### APPLICATIONS

- Discount stores
- Grocery stores
- Mass merchandisers
- Retail stores

### SUBSTRATE

- Fiberglass



Medium-Textured Panel, Kapok Perforated and Unperforated

Medium-Textured Panel, Twill Perforated and Unperforated

### GRID PROFILE OPTIONS

### PHYSICAL DATA/ FOOTNOTES

**Notice**  
The information in this document is subject to change without notice. CGC Inc. or USG Corp. assumes no responsibility for any errors that may inadvertently appear in this document.

SC1838/rev. 6-22  
© 2022 USG Corporation and/or its affiliates. All rights reserved. Printed in USA

# USG PREMIER HI-LITE™ ACOUSTICAL PANELS

CLIMAPLUS™ PERFORMANCE

ORDER SAMPLES/LITERATURE  
USG: usg.com or samplit@usg.com  
CGC: contact Sales Representative

FOR MOST UP-TO-DATE  
TECHNICAL INFORMATION  
AND LEED REPORT TOOL  
usgdesignstudio.com  
cgcdesignstudio.com



Edge	Panel Size	Fire Rating	Item No.	UL Classified		LR <sup>2</sup>	Color <sup>1</sup>	Grid Options	Anti-Mold & Mildew/Sag Resistance	Recycled Content <sup>1</sup>	Panel Cost
				NRC	CAC Min.						
SQ	2'x2'x5/8" Perforated	Class A	7050G	0.70	20	0.76	White	A, B, C, D		42%	\$
	2'x2'x5/8" Unperforated	Class A	7052G	0.50	20	0.76	White	A, B, C, D		42%	\$
	2'x4'x5/8" Perforated	Class A	7051G	0.70	20	0.76	White	A, B, C, D		42%	\$
	2'x4'x5/8" Unperforated	Class A	7053G	0.50	20	0.76	White	A, B, C, D		42%	\$
SQ	2'x2'x5/8" Perforated	Class A	7054G	0.70	20	0.76	White and Black	A, B, C, D		42%	\$
	2'x2'x5/8" Unperforated	Class A	7056G	0.50	20	0.76	White and Black	A, B, C, D		42%	\$
	2'x4'x5/8" Perforated	Class A	7055G	0.70	20	0.76	White and Black	A, B, C, D		42%	\$
	2'x4'x5/8" Unperforated	Class A	7057G	0.50	20	0.76	White and Black	A, B, C, D		42%	\$

**ClimaPlus™ Warranty Performance<sup>3</sup>**  
Fiberglass substrate is inherently resistant to the growth of mold and mildew. Includes sag-resistance performance.

A USG DX*	B USG DXW™	C USG ZXLA™	D USG AX™

**Product literature**  
Data sheet: SC1838

**ASTM E1264 classification**  
Type XII, Form 1, Pattern CE (Perforated), Pattern E (Unperforated)

**ASTM E84 and CAN/ULC S102 surface-burning characteristics**  
Class A  
Flame spread: 25 or less  
Smoke developed: 50 or less

**Online tools**  
usgdesignstudio.com or cgcdesignstudio.com

**Weight**  
0.18 lb./sq. ft.

**Thermal resistance**  
R-2.7

**Maximum backloading**  
See USG 30-Year Limited System Warranty Commercial Applications (SC2102).

**Maintenance**  
Can be cleaned easily with a damp sponge.

**Metric sizes available**  
Contact sales for minimum quantities and lead times.

### Notes

1. For details, see USG Sustainability tool at usgdesignstudio.com or cgcdesignstudio.com.
2. LR values are shown as averages. Published values are representative for White panels only.
3. For details, see USG 30-Year Limited System Warranty Commercial Applications (SC2102).
4. See Colors selector for more information.

Manufactured by USG Interiors, LLC 550 West Adams Street Chicago, IL 60661

The trademarks USG, CGC, AX, CLIMAPLUS, DONN, DX, DXW, PREMIER HI-LITE, ZXLA, IT'S YOUR WORLD. BUILD IT., the USG/CGC logo, the design elements and colors, and related marks are trademarks of USG Corporation or its affiliates.

Safety First! Follow good safety/industrial hygiene practices during installation. Wear appropriate personal protective equipment. Read SDS and literature before specification and installation.



# USG PREMIER NUBBY™ ACOUSTICAL PANELS

CLIMAPLUS™ PERFORMANCE



USG PREMIER NUBBY™ PANELS

USG Premier Nubby™ Acoustical Panels with ClimaPlus™ Performance/USG Donn® Brand Centricitee™ DXT™ Acoustical Suspension System

TO ORDER SAMPLES, GO TO USG.COM OR CGCINC.COM



Lightly Textured Panel

## FEATURES AND BENEFITS

- High-quality nubby cloth facing offers consistent, fine-textured appearance.
- Excellent noise reduction with NRC of 0.85 or 0.90 meets the demanding sound-control needs of open-plan spaces.
- Lightweight fiberglass basemat makes installation fast and easy.
- ClimaPlus™ 30-year limited system warranty against visible sag, mold and mildew.

## APPLICATIONS

- Conference rooms and executive areas
- Gymnasiums and auditoriums
- Open-office plans
- Retail stores

## SUBSTRATE

- Fiberglass

## PHYSICAL DATA/ FOOTNOTES

**Notice**  
The information in this document is subject to change without notice. CGC Inc. or USG Corp. assumes no responsibility for any errors that may inadvertently appear in this document.

SCI1839/rev. 6-22  
© 2022 USG Corporation and/or its affiliates. All rights reserved. Printed in USA

# USG PREMIER NUBBY™ ACOUSTICAL PANELS

CLIMAPLUS™ PERFORMANCE

ORDER SAMPLES/LITERATURE  
USG: usg.com or samplit@usg.com  
CGC: contact Sales Representative

TECHNICAL SERVICES  
800 USG.4YOU (874-4968)

FOR MOST UP-TO-DATE  
TECHNICAL INFORMATION  
AND LEED REPORT TOOL  
usgdesignstudio.com  
cgcdesignstudio.com



Edge	Panel Size	Fire Rating	Item No.	UL Classified		LR <sup>2</sup>	Color	Grid Options	Anti-Mold & Mildew	Recycled Content <sup>1</sup>	Panel Cost
				NRC	CAC Min.						
SQ	2'x2'x3/4"	Class A	7000G	0.85	—	0.82	White	A,B,C		29%	\$\$\$
	2'x2'x1"	Class A	7002G	0.90	—	0.82	White	A,B,C		32%	\$\$\$
	2'x2'x1" Foil-Back	Class A	7012G	0.90	25	0.82	White	A,B,C		32%	\$\$\$
	2'x4'x1"	Class A	7003G	0.90	—	0.82	White	A,B		32%	\$\$\$
	2'x4'x1" Foil-Back	Class A	7013G	0.90	25	0.82	White	A,B		32%	\$\$\$

**ClimaPlus™ Warranty Performance<sup>3</sup>**  
Fiberglass substrate is inherently resistant to the growth of mold and mildew. Includes sag-resistance performance.

A USG DX™	B USG DXW™	C <sup>4</sup> USG Centricitee™ DXT™

**Product literature**  
Data sheet: SCI1839

**ASTM E1264 classification**  
Type XII, Form 2, Pattern E

**ASTM E84 and CAN/ULC S102 surface-burning characteristics**  
Class A  
Flame spread: 25 or less  
Smoke developed: 50 or less

**Weight**  
0.188-0.25 lb./sq. ft.

**Online tools**  
usgdesignstudio.com or cgcdesignstudio.com

**AC information**  
170 for item #7003G.  
190 for item #7013G.

**Thermal resistance**  
R-3.3 (3/4" panels)  
R-4.4 (1" panels)

**Maximum backloading**  
See USG 30-Year Limited System Warranty Commercial Applications (SC2102).

**Maintenance**  
Can be cleaned easily with a soft brush or vacuum.

**Metric sizes available**  
Contact sales for minimum quantities and lead times.

- Notes**
1. For details, see USG Sustainability tool at usgdesignstudio.com or cgcdesignstudio.com.
  2. LR values are shown as averages.
  3. For details, see USG 30-Year Limited System Warranty Commercial Applications (SC2102).
  4. Maximum 2'x2' with SQ edge panels.

Manufactured by USG Interiors, LLC 550 West Adams Street Chicago, IL 60661

The trademarks USG, CGC, CENTRICITEE, CLIMAPLUS, DONN, DX, DXT, DXW, PREMIER NUBBY, IT'S YOUR WORLD. BUILD IT., the USG/CGC logo, the design elements and colors, and related marks are trademarks of USG Corporation or its affiliates.

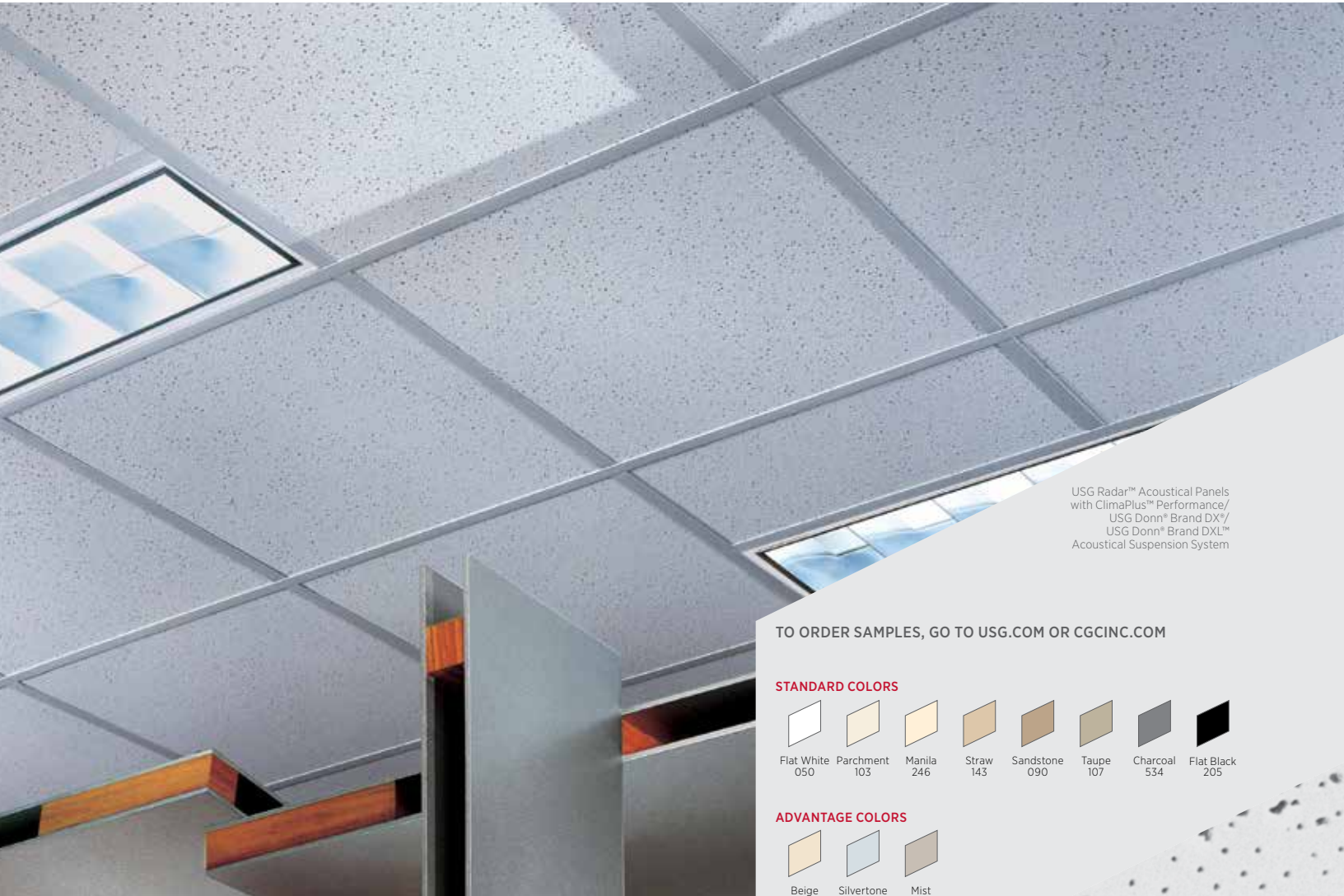
Safety First! Follow good safety/industrial hygiene practices during installation. Wear appropriate personal protective equipment. Read SDS and literature before specification and installation.





# USG RADAR™ ACOUSTICAL PANELS

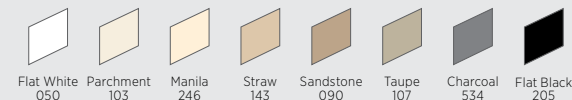
CLIMAPLUS™ PERFORMANCE



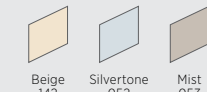
USG Radar™ Acoustical Panels with ClimaPlus™ Performance/USG Donn® Brand DX™/USG Donn® Brand DXL™ Acoustical Suspension System

TO ORDER SAMPLES, GO TO USG.COM OR CGCINC.COM

### STANDARD COLORS



### ADVANTAGE COLORS



### FEATURES AND BENEFITS

- Nondirectional pattern.
- High-durability panels are 55% more durable than standard panels.
- USDA Certified Biobased Product.<sup>11</sup>
- ClimaPlus™ 30-year limited system warranty against visible sag, mold and mildew.
- Optional Firecode® product designed to meet life-safety codes.

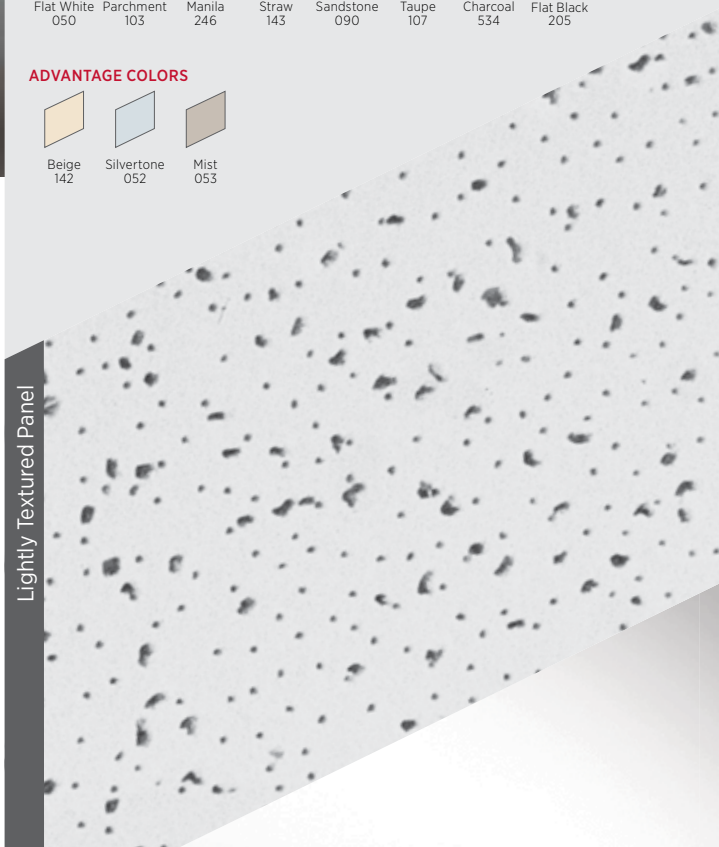
### APPLICATIONS

- Schools
- Corridors
- Lobby areas
- Offices
- Retail stores

### SUBSTRATE

- Wet-formed mineral fiber

Lightly Textured Panel

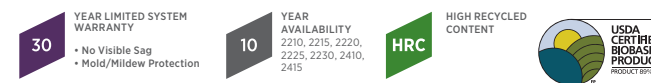


# USG RADAR™ ACOUSTICAL PANELS

CLIMAPLUS™ PERFORMANCE

ORDER SAMPLES/LITERATURE  
USG: usg.com or samplit@usg.com  
CGC: contact Sales Representative

FOR MOST UP-TO-DATE  
TECHNICAL INFORMATION  
AND LEED REPORT TOOL  
usgdesignstudio.com  
cgcdesignstudio.com



Edge	Panel Size Imperial Metric (mm)	Fire Rating <sup>2</sup>	Item No. Imperial Metric (mm)	UL Classified			Color <sup>5,6</sup>	Grid Options	VOC Emissions	Anti-Mold & Mildew/Sag Resistance	Abuse Resistant	Recycled Content <sup>1</sup>	Panel Cost
				NRC	CAC Min.	LR <sup>3</sup>							
SQ	2'x2'x5/8"	Class A	2210	0.55	33	0.84	White, Standard Beige, Mist, Silvertone	A,B	Low	Green	Black	25-26%	\$
	2'x2'x5/8"	Class A	2215	0.55	35	0.84	White	C,D	Low	Green	Black	48-49%	\$
	2'x4'x5/8" 600x1200x15	Class A	2410 ME2410	0.55	35	0.84	White, Standard Beige, Mist, Silvertone	A	Low	Green	Black	25-26%	\$
	2'x4'x5/8"	Class A	2415	0.55	35	0.84	White	C	Low	Green	Black	48-49%	\$
SLT	2'x2'x5/8" 600x600x15	Class A	2220 ME2220	0.55	33	0.84	White, Standard Beige, Mist, Silvertone (Flat Black or Charcoal Not Available)	E	Low	Green	Black	25-26%	\$
	2'x2'x5/8"	Class A	2225	0.55	35	0.84	White	F	Low	Green	Black	48-59% <sup>8</sup>	\$
	2'x4'x5/8"	Class A	2420	0.55	35	0.84	White	E	Low	Green	Black	25-26%	\$
	2'x4'x5/8"	Class A	2425	0.55	35	0.84	White	F	Low	Green	Black	48-59% <sup>8</sup>	\$
FLB	2'x2'x5/8"	Class A	2230	0.55	33	0.84	White	G,H,I,J	Low	Green	Black	25-26%	\$
	2'x2'x5/8"	Class A	2235	0.55	35	0.84	White	K,L	Low	Green	Black	48-59% <sup>8</sup>	\$
SQ	2'x2'x5/8"	Class A	2207	0.55	35	0.84	White	A,B	Low	Green	Black	26%	\$
	2'x4'x5/8"	Class A	2407	0.55	35	0.84	White	A	Low	Green	Black	26%	\$
SLT	2'x2'x5/8"	Class A	2227	0.55	35	0.84	White	E	Low	Green	Black	26%	\$
SF	12"x12"x5/8"	Class A	2570	0.45	35	0.84	White	Adhesive Staple	Low	Green	Black	44%	\$\$\$

**Low Emissions (VOC)**  
Third party (GREENGUARD Gold) certified for low-emitting performance, meets California Department of Public Health's (CDPH) Standard Method v1.2 - 2017 (CA Section 01350). 'Certificates of Compliance' for Low VOC Emissions are available on usg.com and at spot.ul.com.

**ClimaPlus™ Warranty Performance<sup>4</sup>**  
Contains a broad-spectrum antimicrobial additive on the face and back of the panel that provides resistance against the growth of mold and mildew. Includes sag-resistance performance.

**High Recycled Content**  
USG classifies High Recycled Content as greater than 50%. Total recycled content is based on product composition of postconsumer and preconsumer (postindustrial) recycled content per FTC guidelines.

**Firecode® Abuse Resistant**

### GRID PROFILE OPTIONS

A USG DX*	B <sup>10</sup> USG Centricitee™ DXT™	C USG DXL™	D USG Centricitee™ DXLT™	E USG DX*	F USG DXL™	G USG Centricitee™ DXT™	H USG Fineline™ DXF™	I USG Fineline™ 1/8 DXFF™	J USG Identitee™ DXI™	K USG Centricitee™ DXLT™	L USG Fineline™ DXLF™

**Product literature**  
Data sheet: SC2127

**ASTM E1264 classification**  
Type III, Form 2, Pattern C,E

**ASTM E84 and CAN/ULC S102 surface-burning characteristics**  
Class A  
Flame spread: 25 or less  
Smoke developed: 50 or less

**UL Type**  
FR-83

**Weight**  
0.60-1.11 lb./sq. ft.

**Online tools**  
usgdesignstudio.com or cgcdesignstudio.com

**Thermal resistance**  
R-1.4 (5/8" Class A panels and tile)  
R-1.6 (Firecode® panels)

**Maximum backloading**  
See USG 30-Year Limited System Warranty Commercial Applications (SC2102).

**Maintenance**  
Can be cleaned easily with a soft brush or vacuum.

**High-durability panels**  
ASTM D1037—falling-ball impact test.

**Metric sizes available**  
Contact sales for minimum quantities and lead times.

**Notes**

1. For details, see USG Sustainability tool at usgdesignstudio.com or cgcdesignstudio.com.
2. Fire-rated items: see UL design details.
3. LR values are shown as averages.
4. For details, see USG 30-Year Limited System Warranty Commercial Applications (SC2102).
5. Metric available in White only.
6. See Colors selector for more information.
7. SF = staple flange.
8. Not UL Classified for acoustics.
9. High recycled content not available at all plants.
10. Maximum 2'x2' with SQ edge panels.
11. This product has achieved both BioPreferred initiatives: Federal Procurement Preference and Certified Product Labeling. See the complete listing of all USG ceiling panels on biopreferred.gov website.

**Notice**  
The information in this document is subject to change without notice. CGC Inc. or USG Corp. assumes no responsibility for any errors that may inadvertently appear in this document.

SC2127/rev. 6-22  
© 2022 USG Corporation and/or its affiliates. All rights reserved. Printed in USA

Manufactured by USG Interiors, LLC, 550 West Adams Street Chicago, IL 60661

The trademarks USG, CGC, CENTRICITEE, CLIMAPLUS, DONN, DX, DXF, DXFF, DXI, DXL, DXLF, DXLT, DXT, DXW, FINELINE, FIRECODE, IDENTITEE, RADAR, IT'S YOUR WORLD. BUILD IT., the USG/CGC logo, the design elements and colors, and related marks are trademarks of USG Corporation or its affiliates.

Safety First! Follow good safety/industrial hygiene practices during installation. Wear appropriate personal protective equipment. Read SDS and literature before specification and installation.



Acoustical Ceiling Panels

# USG RADAR™ BASIC ACOUSTICAL PANELS

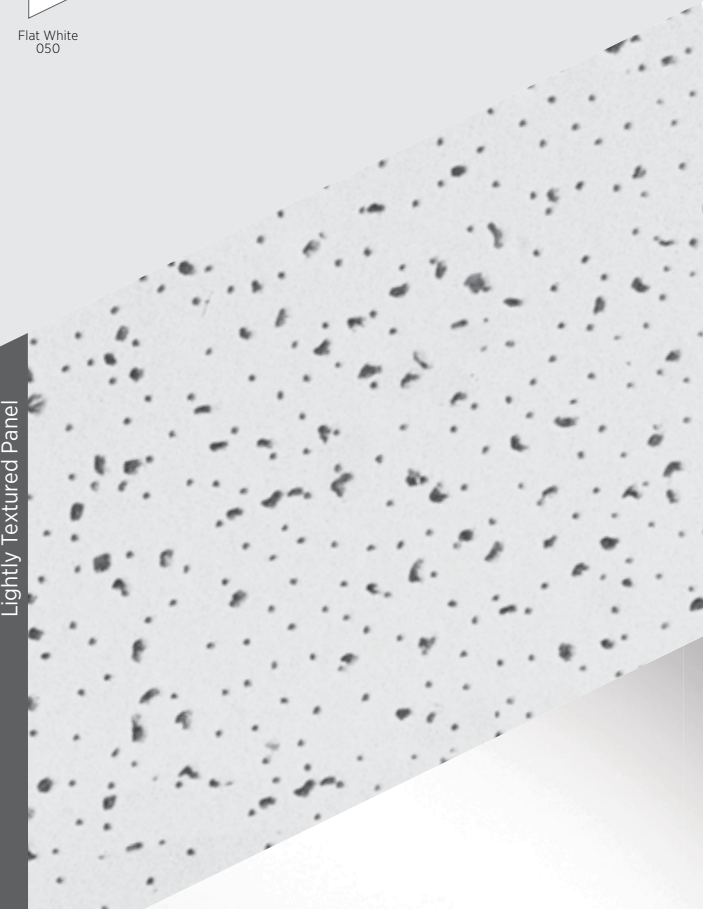


USG Radar™ Basic Acoustical Panels/USG Donn® Brand DX\*/USG Donn® Brand DXL™ Acoustical Suspension System

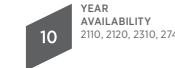
TO ORDER SAMPLES, GO TO USG.COM OR CGCINC.COM



Lightly Textured Panel



PRODUCT CERTIFIED FOR LOW CHEMICAL EMISSIONS: ULCOM/CG UL2818



## USG RADAR™ BASIC PANEL

## USG RADAR™ BASIC TILE<sup>4,5</sup>

## USG RADAR™ ILLUSION BASIC TWO/24 PANEL

### PATTERNS

### GRID PROFILE OPTIONS

### PHYSICAL DATA/ FOOTNOTES

**Notice**  
The information in this document is subject to change without notice. CGC Inc. or USG Corp. assumes no responsibility for any errors that may inadvertently appear in this document.

**SC2288/rev. 6-22**  
© 2022 USG Corporation and/or its affiliates. All rights reserved. Printed in USA






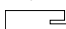
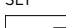
# USG RADAR™ BASIC ACOUSTICAL PANELS

ORDER SAMPLES/LITERATURE  
USG: usg.com or samplit@usg.com  
CGC: contact Sales Representative

TECHNICAL SERVICES  
800 USG.4YOU (874-4968)

FOR MOST UP-TO-DATE  
TECHNICAL INFORMATION  
AND LEED REPORT TOOL  
usgdesignstudio.com  
cgcdesignstudio.com

UL Classified

Edge	Panel Size Imperial Metric (mm)	Fire Rating <sup>2</sup>	Item No. Imperial Metric (mm)	NRC	CAC Min.	LR <sup>3</sup>	Color <sup>4</sup>	Grid Options	VOC Emissions	Recycled Content <sup>1</sup>	Panel Cost
SQ 	2'x2'x5/8" 600x600x15	Class A 	2110 ME2110	0.55	33	0.83	White	A,C	Low	24-25%	\$
	2'x2'x5/8"		2115	0.55	35	0.83	White	B	Low	48-49%	\$
	2'x4'x5/8" 600x1200x15	Class A	2310 ME2310	0.55	35	0.83	White	A,C	Low	24-25%	\$
	2'x4'x5/8"		2315	0.55	35	0.83	White	B	Low	48-49%	\$
	2'x5'x5/8"	Class A	2619	0.55	35	0.83	White	A,C	Low	24-25%	\$
	20"x60"x5/8" 500x1500x15	Class A	2617 ME2617	0.55	35	0.83	White	A,C	Low	24-25%	\$
SLT 	2'x2'x5/8" 600x600x15	Class A	2120 ME2120	0.55	33	0.83	White	D	Low	24-25%	\$
	2'x2'x5/8"	Class A 	2125	0.55	35	0.83	White	E	Low	48-59%	\$
	2'x4'x5/8"		2320	0.55	35	0.83	White	D	Low	24-25%	\$
	20"x60"x5/8"	Class A	2627	0.55	35	0.83	White	D	Low	24-25%	\$
FLB 	2'x2'x5/8"	Class A	2130	0.55	33	0.83	White	F,G,H,I	Low	24-25%	\$
BESK 	12"x12"x5/8"	Class A	2990	0.50	40	0.83	White	J	Low	44%	\$\$\$
SLT 	2'x4'x3/4"	Class A	2742	0.55	35	0.83	White	D	Low	26-27%	\$\$

### Illusion™ Two/24



The look of 2'x2' panels











### Low Emissions (VOC)

Third party (GREENGUARD Gold) certified for low-emitting performance, meets California Department of Public Health's (CDPH) Standard Method v1.2 - 2017 (CA Section 01350). 'Certificates of Compliance' for Low VOC Emissions are available on usg.com and at spot.ul.com.

### High Recycled Content

USG classifies High Recycled Content as greater than 50%. Total recycled content is based on product composition of postconsumer and preconsumer (postindustrial) recycled content per FTC guidelines.

### Firecode®

A USG DX*	B USG DXL™	C USG DXW™	D USG DX*	E USG DXL™	F USG Centricitee™ DXT™	G USG Fineline® DXF™	H USG Fineline® 1/8 DXFF™	I USG Identitee® DXI™	J USG DX* Concealed
									

**Product literature**  
Data sheet: SC2288

**ASTM E1264 classification**  
Type III, Form 2, Pattern C, E and C, E, K

**ASTM E84 and CAN/ULC S102 surface-burning characteristics**  
Class A

Flame spread: 25 or less  
Smoke developed: 50 or less

**UL Type**  
FR-83

**Weight**  
0.61-1.15 lb./sq. ft.

**Online tools**  
usgdesignstudio.com or cgcdesignstudio.com

**Thermal resistance**  
R-1.4 (Class A, 5/8" panels and tile)  
R-1.7 (Class A, 3/4" panels)  
R-1.4 (Class A, 15 mm panels)  
R-1.6 (Firecode®, 5/8" panels)

**Maximum backloading**  
See USG 30-Year Limited System Warranty Commercial Applications (SC2102).

**Maintenance**  
Can be cleaned easily with a soft brush or vacuum.

**Metric sizes available**  
Contact sales for minimum quantities and lead times.

### Notes

- For details, see USG Sustainability tool at usgdesignstudio.com or cgcdesignstudio.com.
- Fire-rated items: see UL design details.
- LR values are shown as averages.
- Contact USG for adhesive recommendation for 12"x12" glue-up applications.
- Not UL Classified for acoustics.
- No Flat Black or 'Deeptones' are available on any reveal edge or USG Radar™ Firecode® panel.
- This product has achieved both BioPreferred initiatives: Federal Procurement Preference and Certified Product Labeling. See the complete listing of all USG ceiling panels on biopreferred.gov website.

Manufactured by USG Interiors, LLC, 550 West Adams Street Chicago, IL 60661

The trademarks USG, CGC, CENTRICITEE, DONN, DX, DXF, DXFF, DXI, DXL, DXT, DXW, FINELINE, FIRECODE, IDENTITEE, RADAR, IT'S YOUR WORLD, BUILD IT., the USG/CGC logo, the design elements and colors, and related marks are trademarks of USG Corporation or its affiliates.

Safety First! Follow good safety/industrial hygiene practices during installation. Wear appropriate personal protective equipment. Read SDS and literature before specification and installation.



### FEATURES AND BENEFITS

- Nondirectional pattern with a fresh, clean appearance offers fast, efficient installation.
- Economical, all-purpose ceiling pattern offered in many sizes.
- Optional Firecode® product designed to meet life-safety codes.
- USDA Certified Biobased Product.<sup>8</sup>

### APPLICATIONS

- Schools
- Corridors
- Offices
- Retail stores

### SUBSTRATE

- Wet-formed mineral fiber

# USG RADAR™ CERAMIC ACOUSTICAL PANELS

CLIMAPLUS™ PERFORMANCE



USG Radar™ Ceramic Acoustical Panels with ClimaPlus™ Performance/USG Donn® Brand ZXL™ Acoustical Suspension System

TO ORDER SAMPLES, GO TO USG.COM OR CGCINC.COM



Lightly Textured Panel

## FEATURES AND BENEFITS

- 100% ceramic-bonded mineral fiber withstands high heat, high humidity, corrosive chemical fumes and steam.
- Tested in live steam to withstand applications such as saunas and steam rooms.
- Meets U.S. Coast Guard standards and can be used in high-humidity marine applications.
- ClimaPlus™ 30-year limited system warranty against visible sag, mold and mildew.
- Firecode® product designed to meet life-safety codes.

## APPLICATIONS

- Pools and shower areas
- Saunas and steam rooms

## SUBSTRATE

- Wet-formed, ceramic-bonded mineral fiber



PRODUCT CERTIFIED FOR LOW CHEMICAL EMISSIONS:  
ULCOM/CGG  
UL2818

## USG RADAR™ CERAMIC PERFORATED PANELS

## GRID PROFILE OPTIONS

## PHYSICAL DATA/ FOOTNOTES

**Notice**  
The information in this document is subject to change without notice. CGC Inc. or USG Corp. assumes no responsibility for any errors that may inadvertently appear in this document.

SC2293/rev. 6-22  
© 2022 USG Corporation and/or its affiliates. All rights reserved. Printed in USA

# USG RADAR™ CERAMIC ACOUSTICAL PANELS

CLIMAPLUS™ PERFORMANCE

ORDER SAMPLES/LITERATURE  
USG: usg.com or samplit@usg.com  
CGC: contact Sales Representative  
TECHNICAL SERVICES  
800 USG.4YOU (874-4968)

FOR MOST UP-TO-DATE  
TECHNICAL INFORMATION  
AND LEED REPORT TOOL  
usgdesignstudio.com  
cgcdesignstudio.com

30 YEAR LIMITED SYSTEM WARRANTY  
• No Visible Sag  
• Mold/Mildew Protection

10 YEAR AVAILABILITY  
56644, 56645

Edge	Panel Size	Fire Rating <sup>4</sup>	Item No.	UL Classified			Color	Grid Options	VOC Emissions	Anti-Mold & Mildew/Sag Resistance	Recycled Content <sup>1</sup>	Panel Cost
				NRC	CAC Min.	LR <sup>2</sup>						
SQ	2'x2'x5/8"		56644				White	A,B	Low		45%	\$\$\$\$
	2'x4'x5/8"			56645	0.50	40						

## Low Emissions (VOC)

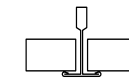
Third party (GREENGUARD Gold) certified for low-emitting performance, meets California Department of Public Health's (CDPH) Standard Method v1.2 - 2017 (CA Section 01350). 'Certificates of Compliance' for Low VOC Emissions are available on usg.com and at spot.ul.com.

## ClimaPlus™ Warranty Performance<sup>3</sup>

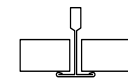
Totally inorganic product; resistant to the growth of mold and mildew. Includes sag-resistance performance.

## Firecode®

## A USG ZXLA™



## B USG DXLA™



**Product literature**  
Data sheet: SC2293

**ASTM E1264 classification**  
Perforated: Type XX, Pattern CEG

**ASTM E84 and CAN/ULC S102 surface-burning characteristics**  
Class A  
Flame spread: 0  
Smoke developed: 0

**UL Type**  
FR-4

**Online tools**  
usgdesignstudio.com or cgcdesignstudio.com

**Weight**  
1.54 lb./sq. ft.

**Thermal resistance**  
R-1.3

**Maximum backloading**  
See USG 30-Year Limited System Warranty Commercial Applications (SC2102).

**Maintenance**  
Can be cleaned easily with a damp sponge.

**U.S. Coast Guard acceptance**  
Approved for use on merchant ships (No. 164.009/212/0).

**Metric sizes available**  
Contact sales for minimum quantities and lead times.

**Notes**  
1. For details, see USG Sustainability tool at usgdesignstudio.com or cgcdesignstudio.com.

2. LR values are shown as averages.

3. For details, see USG 30-Year Limited System Warranty Commercial Applications (SC2102).

4. Fire-rated items: see UL design details.

Manufactured by USG Interiors, LLC  
550 West Adams Street  
Chicago, IL 60661

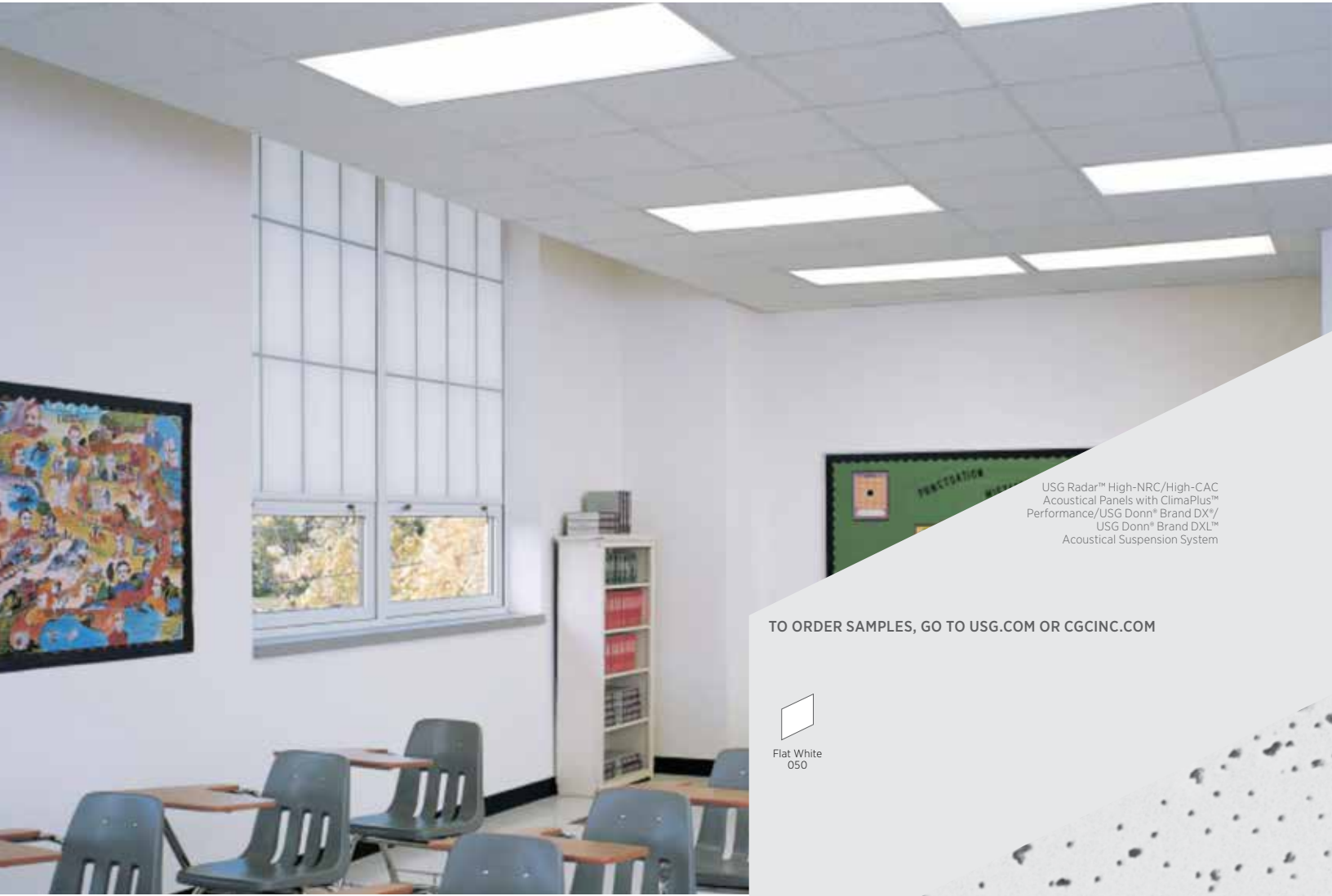
The trademarks USG, CGC, DXLA, CLIMAPLUS, DONN, FIRECODE, RADAR, ZXL, IT'S YOUR WORLD. BUILD IT., the USG/CGC logo, the design elements and colors, and related marks are trademarks of USG Corporation or its affiliates.

Safety First! Follow good safety/industrial hygiene practices during installation. Wear appropriate personal protective equipment. Read SDS and literature before specification and installation.



# USG RADAR™ EDUCATION ACOUSTICAL PANELS

CLIMAPLUS™ PERFORMANCE

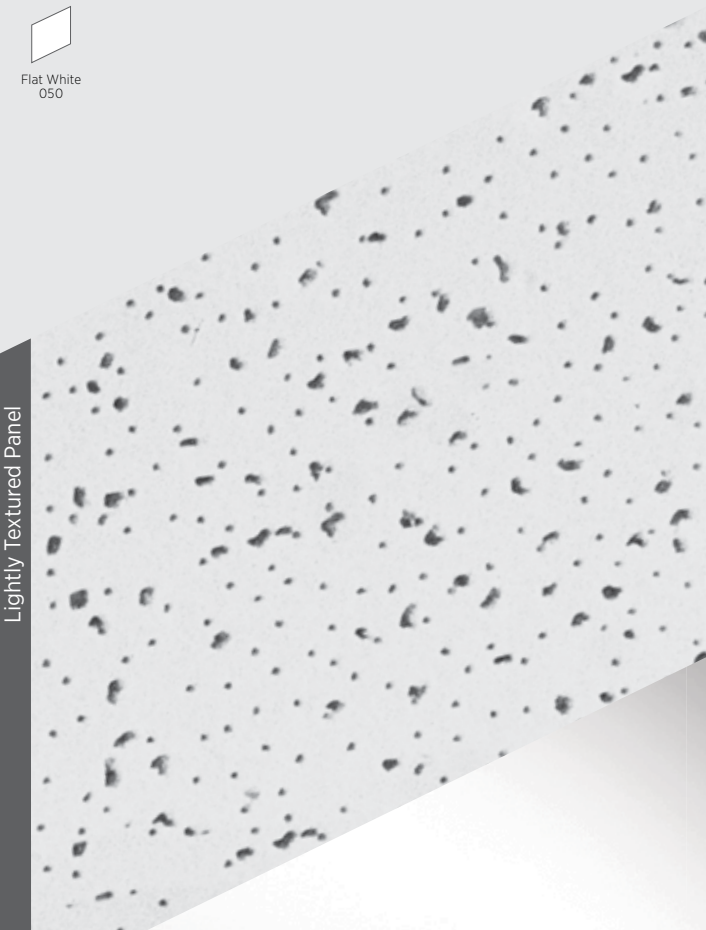


USG Radar™ High-NRC/High-CAC Acoustical Panels with ClimaPlus™ Performance/USG Donn® Brand DX\*/USG Donn® Brand DXL™ Acoustical Suspension System

TO ORDER SAMPLES, GO TO USG.COM OR CGCINC.COM



Lightly Textured Panel



**USG RADAR™ HIGH DURABILITY**  
(High-traffic areas, corridors and cafeterias)

**USG RADAR™ HIGH-NRC<sup>6,7</sup>**  
(Libraries, offices and classrooms)

**USG RADAR™ HIGH-NRC/HIGH-CAC<sup>6,7</sup>**  
(Classrooms and other core learning spaces)

### GRID PROFILE OPTIONS

### PHYSICAL DATA/ FOOTNOTES

**Notice**  
The information in this document is subject to change without notice. CGC Inc. or USG Corp. assumes no responsibility for any errors that may inadvertently appear in this document.

SC2514/rev. 6-22  
© 2022 USG Corporation and/or its affiliates. All rights reserved. Printed in USA

## USG RADAR™ EDUCATION ACOUSTICAL PANELS

CLIMAPLUS™ PERFORMANCE



ORDER SAMPLES/LITERATURE  
USG: usg.com or samplit@usg.com  
CGC: contact Sales Representative

TECHNICAL SERVICES  
800.USG.4YOU (874-4968)

FOR MOST UP-TO-DATE TECHNICAL INFORMATION AND LEED REPORT TOOL  
usgdesignstudio.com  
cgcdesignstudio.com

Edge	Panel Size	Fire Rating <sup>2</sup>	Item No.	UL Classified			Color <sup>5</sup>	Grid Options	VOC Emissions	Anti-Mold & Mildew/Sag Resistance	Abuse Resistant	Recycled Content <sup>1</sup>	Panel Cost
				NRC	CAC Min.	LR <sup>3</sup>							
SQ	2'x2'x5/8"	Class A	2207	0.55	35	0.84	White	A,B,C	Low	Green	Black	26%	\$\$
	2'x4'x5/8"			0.55	35	0.84							
SLT	2'x2'x5/8"	Class A	2227	0.55	35	0.84	White	D	Low	Green	Black	26%	\$\$
SQ	2'x2'x7/8"	Class A	22421	0.70	35	0.84	White	A,B,C	Low	Green	Black	38%	\$\$
	2'x2'x3/4"			0.70	35	0.84							
SLT	2'x2'x7/8"	Class A	22350	0.70	35	0.84	White	D	Low	Green	Black	38%	\$\$
	2'x2'x3/4"			0.70	35	0.84							
FLB	2'x2'x7/8"	Class A	22370	0.70	35	0.84	White	H,I,J,K	Low	Green	Black	38%	\$\$
	2'x2'x3/4"			0.70	35	0.84							
SQ	2'x4'x7/8"	Class A	22441	0.70	40	0.84	White	A,B	Low	Green	Black	38%	\$\$
	2'x4'x3/4"			0.70	40	0.84							
SLT	2'x2'x3/4"	Class A	22523	0.70	40	0.84	White	G	Low	Green	Black	57%	\$\$
	2'x4'x7/8"			0.70	40	0.84							

**Low Emissions (VOC)**  
Third party (GREENGUARD Gold) certified for low-emitting performance, meets California Department of Public Health's (CDPH) Standard Method v1.2 - 2017 (CA Section 01350). 'Certificates of Compliance' for Low VOC Emissions are available on usg.com and at spot.ul.com.

**ClimaPlus™ Warranty Performance<sup>4</sup>**  
Contains a broad-spectrum antimicrobial additive on the face and back of the panel that provides resistance against the growth of mold and mildew. Includes sag-resistance performance.

**High Recycled Content**  
USG classifies High Recycled Content as greater than 50%. Total recycled content is based on product composition of postconsumer and preconsumer (postindustrial) recycled content per FTC guidelines.

**Firecode<sup>®</sup>**  
Abuse Resistant

A USG DX*	B USG DXW™	C <sup>8</sup> USG Centricitee™ DXT™	D USG DX*	E USG DXL™	F USG Centricitee™ DXLT™	G USG DXL™	H USG Centricitee™ DXT™	I USG Finline™ DXF™	J USG Finline™ 1/8 DXFF™	K USG Identitee™ DXI™	L USG Centricitee™ DXLT™	M USG Finline™ DXLF™

**Product literature**  
Data sheet: SC2514

**ASTM E1264 classification**  
Type III, Form 2, Pattern CE

**ASTM E84 and CAN/ULC S102 surface-burning characteristics**  
Class A  
Flame spread: 25 or less  
Smoke developed: 50 or less

**UL Type**  
FR-83

**Weight**  
0.847-1.28 lb./sq. ft.

**Online tools**  
usgdesignstudio.com or cgcdesignstudio.com

**Thermal resistance**  
R-1.6 (5/8" panels)  
R-1.9 (3/4" panels)  
R-1.8 (7/8" panels)

**Maximum backloading**  
See USG 30-Year Limited System Warranty Commercial Applications (SC2102).

**Maintenance**  
Panels can be cleaned easily with a soft brush or vacuum.

**High-durability panels**  
Ball hardness as tested per ASTM C367.

**Metric sizes available**  
Contact sales for minimum quantities and lead times.

**Notes**  
1. For details, see USG Sustainability tool at usgdesignstudio.com or cgcdesignstudio.com.  
2. Fire-rated items: see UL design details.  
3. LR values are shown as averages.  
4. Panel face and back surfaces treated with a proprietary, broad-spectrum antimicrobial standard formulation that inhibits and retards the growth of mold and mildew. For details, see USG 30-Year Limited System Warranty Commercial Applications (SC2102).

5. No Flat Black or "Deeptones" are available on reveal edge or USG Radar™ Firecode® panel.  
6. Helps comply with ANSI S12.60 classroom guidelines and LEED for Schools EQ prerequisite 3: Min. Acoustical Performance.  
7. This product has achieved both BioPreferred initiatives: Federal Procurement Preference and Certified Product Labeling. See the complete listing of all USG ceiling panels on biopreferred.gov website.  
8. Maximum 2'x2' with SQ edge panels.

Manufactured by USG Interiors, LLC, 550 West Adams Street Chicago, IL 60661

The trademarks USG, CGC, CENTRICITEE, CLIMAPLUS, DONN, DX, DXF, DXFF, DXI, DXL, DXLF, DXLT, DXW, FINELINE, FIRECODE, IDENTITEE, RADAR, IT'S YOUR WORLD. BUILD IT., the USG/CGC logo, the design elements and colors, and related marks are trademarks of USG Corporation or its affiliates.

Safety First! Follow good safety/industrial hygiene practices during installation. Wear appropriate personal protective equipment. Read SDS and literature before specification and installation.

Acoustical Ceiling Panels



# USG RADAR™ HIGH-NRC/HIGH-CAC ACOUSTICAL PANELS

CLIMAPLUS™ PERFORMANCE



PRODUCT CERTIFIED FOR LOW CHEMICAL EMISSIONS: ULCOM/CG UL2818

USG RADAR™ HIGH-CAC PANEL

USG RADAR™ HIGH-NRC PANEL<sup>5</sup>

USG Radar™ High-NRC Acoustical Panels with ClimaPlus™ Performance/USG Donn® Brand DX™/USG Donn® Brand DXL™ Acoustical Suspension System

TO ORDER SAMPLES, GO TO USG.COM OR CGCINC.COM



Lightly Textured Panel

## FEATURES AND BENEFITS

- Nondirectional all-purpose ceiling pattern.
- Balanced Acoustics available with 40 CAC for increased room-to-room speech privacy and 0.70 NRC for greater sound control in open-plan areas.
- High-NRC/High-CAC formulation helps comply with ANSI S12.60 classroom guidelines.<sup>5</sup>
- USDA Certified Biobased Product.<sup>8</sup>
- ClimaPlus™ 30-year limited system warranty against visible sag, mold and mildew.
- Firecode® product designed to meet life-safety codes.

## APPLICATIONS

- Classrooms
- Conference rooms
- Open-office plans
- Privacy rooms

## SUBSTRATE

- Wet-formed mineral fiber

## GRID PROFILE OPTIONS

A	B	C	D	E	F	G	H	I	J	K	L
USG DXL™	USG DX™	USG DXW™	USG Centricitee™ DXT™	USG DX*	USG Centricitee™ DXL™	USG Centricitee™ DXT™	USG Fineline™ DXF™	USG Fineline™ 1/8 DXFF™	USG Identitee™ DXI™	USG Centricitee™ DXLT™	USG Fineline™ DXLF™

## PHYSICAL DATA/ FOOTNOTES

**Notice**  
The information in this document is subject to change without notice. CGC Inc. or USG Corp. assumes no responsibility for any errors that may inadvertently appear in this document.

SC2290/rev. 6-22  
© 2022 USG Corporation and/or its affiliates. All rights reserved. Printed in USA

# USG RADAR™ HIGH-NRC/HIGH-CAC ACOUSTICAL PANELS

CLIMAPLUS™ PERFORMANCE



ORDER SAMPLES/LITERATURE  
USG: usg.com or sampllit@usg.com  
CGC: contact Sales Representative

TECHNICAL SERVICES  
800 USG.4YOU (874-4968)

FOR MOST UP-TO-DATE TECHNICAL INFORMATION AND LEED REPORT TOOL  
usgdesignstudio.com  
cgcdesignstudio.com

Edge	Panel Size	Fire Rating <sup>2</sup>	Item No.	NRC	CAC Min.	LR <sup>3</sup>	Color <sup>6</sup>	Grid Options	VOC Emissions	Anti-Mold & Mildew	Recycled Content <sup>1</sup>	Panel Cost
SQ	2'x4'x5/8"		22310	0.55	40	0.84	White	A	Low		49%	\$\$
SQ	2'x2'x7/8"	Class A	22421	0.70	35	0.84	White	B,C,D	Low		38%	\$\$
	2'x2'x3/4"		22111	0.70	35	0.84	White	A	Low		57%	\$\$
	2'x4'x3/4"		22311	0.70	35	0.84	White	A	Low		57%	\$\$
SLT	2'x2'x7/8"	Class A	22350	0.70	35	0.84	White	E	Low		38%	\$\$
	2'x2'x3/4"		22121	0.70	35	0.84	White	F	Low		57%	\$\$
	2'x4'x3/4"		22122	0.70	35	0.84	White	F	Low		57%	\$\$
FLB	2'x2'x7/8"	Class A	22370	0.70	35	0.84	White	G,H,I,J	Low		38%	\$\$
	2'x2'x3/4"		22127	0.70	35	0.84	White	K,L	Low		57%	\$\$
SQ	2'x2'x3/4"		22521	0.70	40	0.84	White	A	Low		57%	\$\$
	2'x4'x7/8"	Class A	22441	0.70	40	0.84	White	B,C	Low		38%	\$\$
	2'x4'x3/4"		22541	0.70	40	0.84	White	A	Low		57%	\$\$
SLT	2'x2'x3/4"		22523	0.70	40	0.84	White	F	Low		57%	\$
	2'x4'x7/8"	Class A	22360	0.70	40	0.84	White	E	Low		38%	\$\$
FLB	2'x2'x3/4"		22527	0.70	40	0.84	White	K,L	Low		57%	\$\$

## Low Emissions (VOC)

Third party (GREENGUARD Gold) certified for low-emitting performance, meets California Department of Public Health's (CDPH) Standard Method v1.2 - 2017 (CA Section 01350). 'Certificates of Compliance' for Low VOC Emissions are available on usg.com and at spot.ul.com.

## ClimaPlus™ Warranty Performance<sup>4</sup>

Contains a broad-spectrum antimicrobial additive on the face and back of the panel that provides resistance against the growth of mold and mildew. Includes sag-resistance performance.

## High Recycled Content

USG classifies High Recycled Content as greater than 50%. Total recycled content is based on product composition of postconsumer and preconsumer (postindustrial) recycled content per FTC guidelines.

## Firecode®

## Product literature

Data sheet: SC2290

## ASTM E1264 classification

Type III, Form 2, Pattern CE

## ASTM E84 and CAN/ULC S102 surface-burning characteristics

Class A  
Flame spread: 25 or less  
Smoke developed: 50 or less

## UL Type

FR-85

## Online tools

usgdesignstudio.com or cgcdesignstudio.com

## Weight

0.904-1.28 lb./sq. ft.

## Thermal resistance

R-1.6 (5/8" panels)  
R-1.9 (3/4" panels)  
R-1.8 (7/8" panels)

## Maximum backloading

See USG 30-Year Limited System Warranty Commercial Applications (SC2102).

## Maintenance

Panels can be cleaned easily with a soft brush or vacuum.

## Notes

1. For details, see USG Sustainability tool at usgdesignstudio.com or cgcdesignstudio.com.

2. Fire-rated items: see UL design details.

3. LR values are shown as averages.

4. For details, see USG 30-Year Limited System Warranty Commercial Applications (SC2102).

5. Helps comply with ANSI S12.60 classroom guidelines.

6. No Flat Black or "Deeptones" are available on reveal edge or USG Radar™ Firecode® panel.

7. Maximum 2'x2" with SQ edge panels.

8. This product has achieved both BioPreferred initiatives: Federal Procurement Preference and Certified Product Labeling. See the complete listing of all USG ceiling panels on biopreferred.gov website.

Manufactured by USG Interiors, LLC, 550 West Adams Street Chicago, IL 60661

The trademarks USG, CGC, CENTRICITEE, CLIMAPLUS, DONN, DX, DXF, DXFF, DXI, DXL, DXLF, DXLT, DXT, DXW, FINELINE, FIRECODE, IDENTITEE, RADAR, IT'S YOUR WORLD, BUILD IT., the USG/CGC logo, the design elements and colors, and related marks are trademarks of USG Corporation or its affiliates.

Safety First! Follow good safety/industrial hygiene practices during installation. Wear appropriate personal protective equipment. Read SDS and literature before specification and installation.



# USG RADAR™ ILLUSION™ ACOUSTICAL PANELS

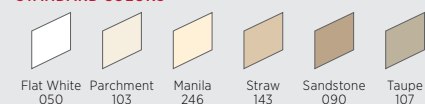
CLIMAPLUS™ PERFORMANCE



USG Radar™ Illusion™ Four/48 Panels with ClimaPlus™ Performance/USG Donn® Brand DX® Acoustical Suspension System

TO ORDER SAMPLES, GO TO USG.COM OR CGCINC.COM

### STANDARD COLORS



### ADVANTAGE COLORS



### FEATURES AND BENEFITS

- Nondirectional pattern offers fast, efficient installation.
- Face scores create illusion of a smaller-scaled ceiling system.
- ClimaPlus™ 30-year limited system warranty against visible sag, mold and mildew.
- Optional Firecode® product designed to meet life-safety codes.

### APPLICATIONS

- Schools
- Corridors
- General offices
- Retail stores

### SUBSTRATE

- Wet-formed mineral fiber

Lightly Textured Panel



# USG RADAR™ ILLUSION™ ACOUSTICAL PANELS

CLIMAPLUS™ PERFORMANCE

ORDER SAMPLES/LITERATURE  
USG: usg.com or samplit@usg.com  
CGC: contact Sales Representative

FOR MOST UP-TO-DATE  
TECHNICAL INFORMATION  
AND LEED REPORT TOOL  
usgdesignstudio.com  
cgcdesignstudio.com



UL Classified

Edge	Panel Size	Fire Rating <sup>2</sup>	Item No.	NRC	CAC Min.	LR <sup>3</sup>	Color <sup>5</sup>	Grid Options	VOC Emissions	Anti-Mold & Mildew/Sag Resistance	Recycled Content <sup>1</sup>	Panel Cost
SLT <sup>6</sup>	2'x4'x3/4"	Class A	2842	0.55	35	0.84	Standard colors (Flat Black and Charcoal not available) Advantage: Beige, Mist and Silvertone only.	A	Low	✓	26-27%	\$\$
	2'x4'x3/4"	Class A	2846	0.55	35	0.84	White	A	Low	✓	58%	\$\$
ILT <sup>7</sup>	2'x4'x3/4"	Class A	2844	0.55	35	0.84	White	B,C	Low	✓	26%	\$\$
	2'x4'x3/4"	Class A	2882	0.50	35	0.84	White	A	Low	✓	26%	\$\$
ILT <sup>7</sup>	2'x4'x3/4"	Class A	2884	0.50	35	0.84	White	B,C	Low	✓	26%	\$\$
	2'x4'x3/4"	Class A	2852	0.55	35	0.84	White	A	Low	✓	26%	\$\$
ILT <sup>7</sup>	2'x4'x3/4"	Class A	2854	0.55	35	0.84	White	B,C	Low	✓	26%	\$\$
	2'x4'x3/4"	Class A	2862	0.50	35	0.84	White	A	Low	✓	26%	\$\$
ILT <sup>7</sup>	2'x4'x3/4"	Class A	2864	0.50	35	0.84	White	B,C	Low	✓	26%	\$\$

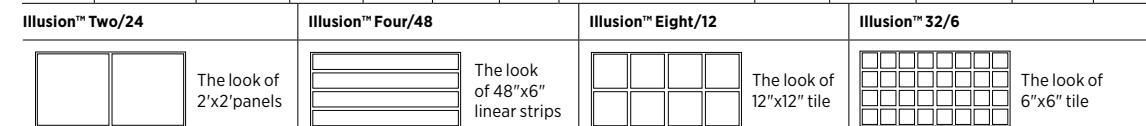
USG RADAR™ ILLUSION™ TWO/24 PANELS

USG RADAR™ ILLUSION™ FOUR/48 PANELS

USG RADAR™ ILLUSION™ EIGHT/12 PANELS

USG RADAR™ ILLUSION™ 32/6 PANELS

### PATTERNS

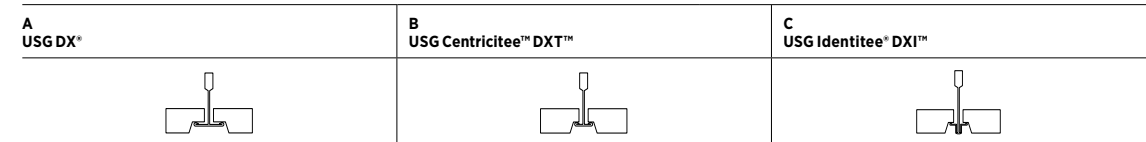


**Low Emissions (VOC)**  
Third party (GREENGUARD Gold) certified for low-emitting performance, meets California Department of Public Health's (CDPH) Standard Method v1.2 - 2017 (CA Section 01350). 'Certificates of Compliance' for Low VOC Emissions are available on usg.com and at spot.ul.com.

**ClimaPlus™ Warranty Performance<sup>4</sup>**  
Contains a broad-spectrum antimicrobial additive on the face and back of the panel that provides resistance against the growth of mold and mildew. Includes sag-resistance performance.

**High Recycled Content**  
USG classifies High Recycled Content as greater than 50%. Total recycled content is based on product composition of postconsumer and preconsumer (postindustrial) recycled content per FTC guidelines.

### GRID PROFILE OPTIONS



### PHYSICAL DATA/ FOOTNOTES

<p><b>Product literature</b> Data sheet: SC2126</p> <p><b>ASTM E1264 classification</b> Type III, Form 2, Pattern CEK</p> <p><b>ASTM E84 and CAN/ULC S102 surface-burning characteristics</b> Class A Flame spread: 25 or less Smoke developed: 50 or less</p> <p><b>UL Type</b> FR-83</p> <p><b>Weight</b> 0.760-1.28 lb./sq. ft.</p>	<p><b>Online tools</b> usgdesignstudio.com or cgcdesignstudio.com</p> <p><b>Thermal resistance</b> R-1.7 (Class A) R-1.9 (Firecode®)</p> <p><b>Maximum backloading</b> See USG 30-Year Limited System Warranty Commercial Applications (SC2102).</p> <p><b>Maintenance</b> Can be cleaned easily with a soft brush or vacuum.</p> <p><b>Metric sizes available</b> Contact sales for minimum quantities and lead times.</p>	<p><b>Notes</b></p> <ol style="list-style-type: none"> <li>1. For details, see USG Sustainability tool at usgdesignstudio.com or cgcdesignstudio.com.</li> <li>2. Fire-rated items: see UL design details.</li> <li>3. LR values are shown as averages.</li> <li>4. For details, see USG 30-Year Limited System Warranty Commercial Applications (SC2102).</li> <li>5. See Colors selector for more information. No Flat Black or "Deeptones" are available on reveal edge or USG Radar™ Firecode® panel.</li> <li>6. Panels have a 15/16" routing.</li> <li>7. Panels have a 9/16" routing.</li> </ol>
--	---	---

**Notice**  
The information in this document is subject to change without notice. CGC Inc. or USG Corp. assumes no responsibility for any errors that may inadvertently appear in this document.

SC2126/rev. 6-22  
© 2022 USG Corporation and/or its affiliates. All rights reserved. Printed in USA

Manufactured by USG Interiors, LLC 550 West Adams Street Chicago, IL 60661

The trademarks USG, CGC, CENTRICITEE, CLIMAPLUS, DONN, DX, DXI, DXT, FIRECODE, IDENTITEE, ILLUSION, RADAR, IT'S YOUR WORLD, BUILD IT., the USG/CGC logo, the design elements and colors, and related marks are trademarks of USG Corporation or its affiliates.

Safety First! Follow good safety/industrial hygiene practices during installation. Wear appropriate personal protective equipment. Read SDS and literature before specification and installation.



# USG RADAR™ OPEN PLAN ACOUSTICAL PANELS

CLIMAPLUS™ PERFORMANCE



USG Radar™ Open Plan Acoustical Panels with ClimaPlus™ Performance/USG Donn® Brand DX® Acoustical Suspension System



## USG RADAR™ OPEN PLAN PANELS

TO ORDER SAMPLES, GO TO USG.COM OR CGCINC.COM



Lightly Textured Panel



### FEATURES AND BENEFITS

- Balanced Acoustics.
- Nondirectional all-purpose ceiling pattern.
- 0.75 NRC for increased sound control in open-plan areas.
- ClimaPlus™ 30-year limited system warranty against visible sag, mold and mildew.
- High-NRC product helps comply with ANSI S12.60 classroom guidelines.

### APPLICATIONS

- Open-office plans
- Classrooms
- Conference rooms
- Privacy rooms

### SUBSTRATE

- Wet-formed mineral fiber

### GRID PROFILE OPTIONS

### PHYSICAL DATA/ FOOTNOTES

**Notice**  
The information in this document is subject to change without notice. CGC Inc. or USG Corp. assumes no responsibility for any errors that may inadvertently appear in this document.

SC2565/rev. 6-22  
© 2022 USG Corporation and/or its affiliates. All rights reserved. Printed in USA

## USG RADAR™ OPEN PLAN ACOUSTICAL PANELS

CLIMAPLUS™ PERFORMANCE



ORDER SAMPLES/LITERATURE  
USG: usg.com or samplit@usg.com  
CGC: contact Sales Representative  
TECHNICAL SERVICES  
800 USG.4YOU (874-4968)

FOR MOST UP-TO-DATE TECHNICAL INFORMATION AND LEED REPORT TOOL  
usgdesignstudio.com  
cgcdesignstudio.com

UL Classified

Edge	Panel Size	Fire Rating	Item No.	NRC	CAC Min.	LR <sup>2</sup>	Color <sup>4</sup>	Grid Options	VOC Emissions	Anti-Mold & Mildew/Sag Resistance	Recycled Content <sup>1</sup>	Panel Cost
SQ	2'x2'x7/8"	Class A	22320	0.75	35	0.84	White	A,B,C	Low		38%	\$\$
	2'x4'x7/8"	Class A	22325	0.75	35	0.84	White	A,C	Low		38%	\$\$
SLT	2'x2'x7/8"	Class A	22340	0.75	35	0.84	White	D	Low		38%	\$\$
	2'x4'x7/8"	Class A	22345	0.75	35	0.84	White	D	Low		38%	\$\$
FLB	2'x2'x7/8"	Class A	22330	0.75	35	0.84	White	E,F,G,H	Low		38%	\$\$
	2'x4'x7/8"	Class A	22335	0.75	35	0.84	White	E,F,G,H	Low		38%	\$\$

### Low Emissions (VOC)

Third party (GREENGUARD Gold) certified for low-emitting performance, meets California Department of Public Health's (CDPH) Standard Method v1.2 - 2017 (CA Section 01350). \*Certificates of Compliance\* for Low VOC Emissions are available on usg.com and at spot.ul.com.

### ClimaPlus™ Warranty Performance<sup>3</sup>

Contains a broad-spectrum antimicrobial additive on the face and back of the panel that provides resistance against the growth of mold and mildew. Includes sag-resistance performance.

A USG DX®	B <sup>5</sup> USG Centricitee™ DXT™	C USG DXW™	D USG DX®	E USG Centricitee™ DXT™	F USG Fineline® DXF™	G USG Fineline® 1/8 DXFF™	H USG Identitee® DXI™

**Product literature**  
Data sheet: SC2565

**ASTM E1264 classification**  
Type III, Form 2, Pattern C, E

**ASTM E84 and CAN/ULC S102 surface-burning characteristics**  
Class A  
Flame spread: 25 or less  
Smoke developed: 50 or less

**Weight**  
0.850 lb./sq. ft.

**Online tools**  
usgdesignstudio.com or cgcdesignstudio.com

**Thermal resistance**  
R-1.8 (7/8" panels)

**Maximum backloading**  
See USG 30-Year Limited System Warranty Commercial Applications (SC2102).

**Maintenance**  
Panels can be cleaned easily with a soft brush or vacuum.

**Metric sizes available**  
Contact sales for minimum quantities and lead times.

### Notes

1. For details, see USG Sustainability tool at usgdesignstudio.com or cgcdesignstudio.com.
2. LR values are shown as averages.
3. For details, see USG 30-Year Limited System Warranty Commercial Applications (SC2102).
4. No Flat Black or "Deeptones" are available on any reveal edge USG Radar™ panel.
5. Maximum 2'x2' with SQ edge panels.

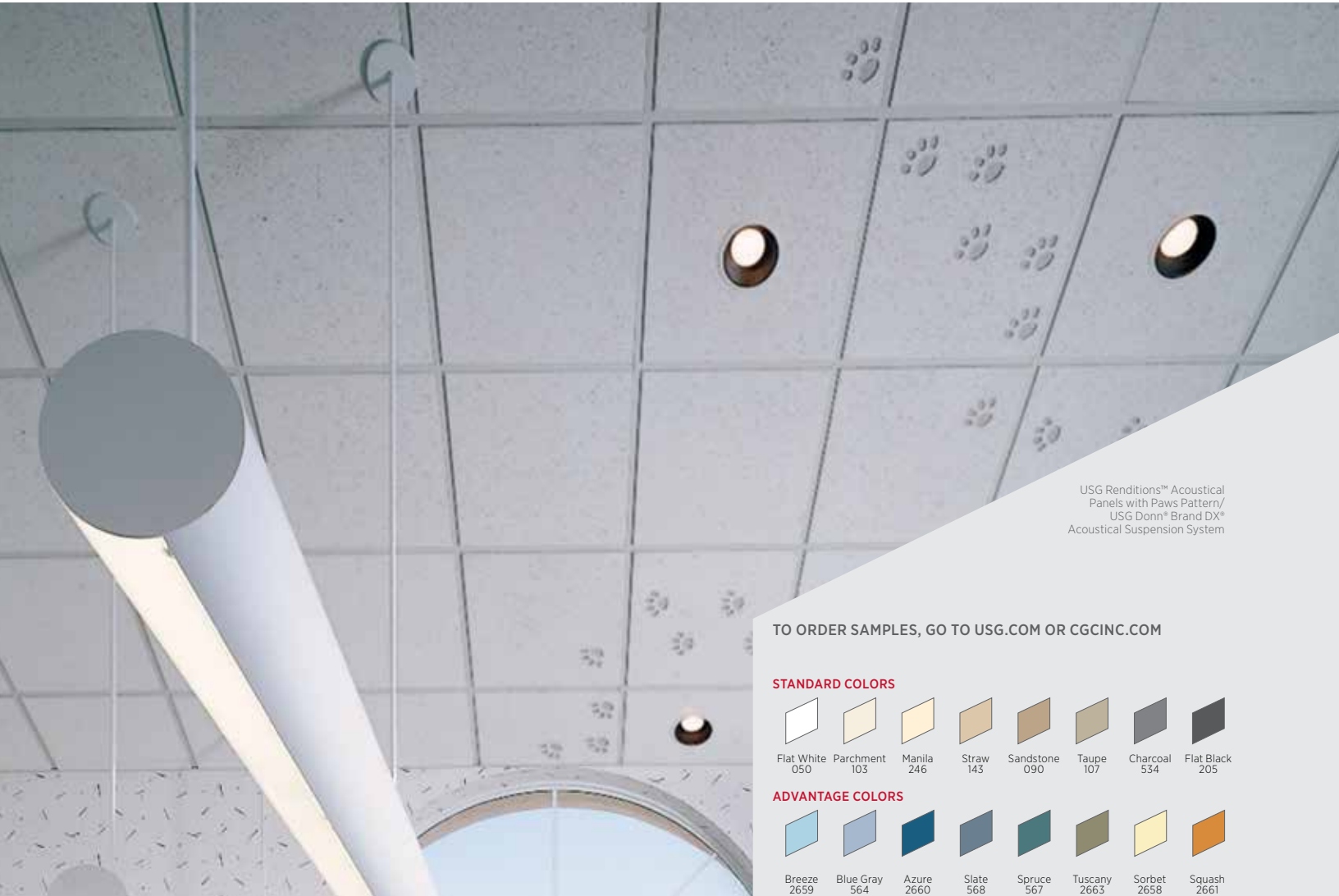
Manufactured by USG Interiors, LLC 550 West Adams Street Chicago, IL 60661

The trademarks USG, CGC, CENTRICITEE, CLIMAPLUS, DONN, DX, DXF, DXFF, DXI, DXT, DXW, FINELINE, IDENTITEE, RADAR, IT'S YOUR WORLD, BUILD IT., the USG/CGC logo, the design elements and colors, and related marks are trademarks of USG Corporation or its affiliates.

Safety First! Follow good safety/industrial hygiene practices during installation. Wear appropriate personal protective equipment. Read SDS and literature before specification and installation.



# USG RENDITIONS™ ANIMATIONS ACOUSTICAL PANELS



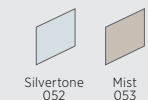
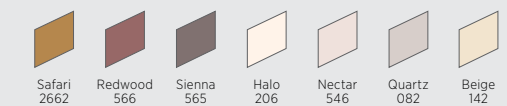
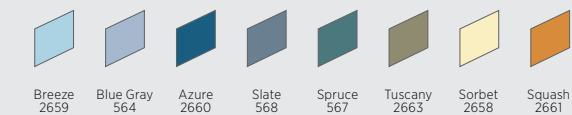
USG Renditions™ Acoustical Panels with Paws Pattern/ USG Donn® Brand DX® Acoustical Suspension System

TO ORDER SAMPLES, GO TO [USG.COM](http://USG.COM) OR [CGCINC.COM](http://CGCINC.COM)

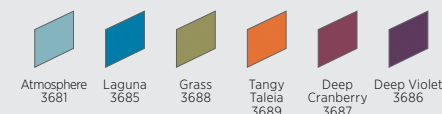
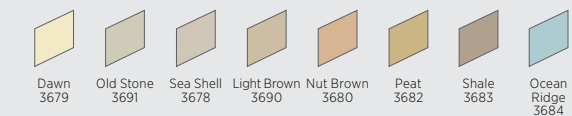
### STANDARD COLORS



### ADVANTAGE COLORS



### PREMIUM COLORS



### FEATURES AND BENEFITS

- Computer-generated, face-routed designs combined with the beautiful fine texture of USG Eclipse™ or Frost™ Acoustical Panels.
- Numbered ceiling panels match shop drawings for easy installation.
- Custom designs are available.
- All panels available in Flat White. USG Frost™ panels available in Standard, Advantage, Premium and custom colors.
- Ceiling panels can be made from your sketches, AutoCAD® or Revit® drawings.

### APPLICATIONS

- Childcare
- Educational
- Healthcare
- Theme and whimsical areas

### SUBSTRATES

- Wet-formed mineral fiber (USG Eclipse™)
- Cast mineral fiber (USG Frost™)

### PRODUCT INFORMATION

### PATTERNS¹

### PHYSICAL DATA/ FOOTNOTES

## USG RENDITIONS™ ANIMATIONS ACOUSTICAL PANELS

ORDER SAMPLES/LITERATURE  
USG: [usg.com](http://usg.com) or [samplrit@usg.com](mailto:samplrit@usg.com)  
CGC: contact Sales Representative

FOR MOST UP-TO-DATE  
TECHNICAL INFORMATION  
AND LEED REPORT TOOL  
[usgdesignstudio.com](http://usgdesignstudio.com)  
cgcdesignstudio.com

Fire Rating	Color²	Typical Sizes	Available Panels and Edges					
			SQ	SLT	SLB	FL	FLB	
Class A	All panels available in Flat White. USG Frost™ panels available in Standard, Advantage, Premium and custom colors.	2'x2'	USG Eclipse™	•	•	—	•	—
			USG Frost™	—	—	•	•	•

Aquarium Five-Panel Series	Barefootin' 12-Panel Series	Blocks 13-Panel Series	Fast Food Six-Panel Series	Flying Things 13-Panel Series
Leaves 13-Panel Series	Night Sky Eight-Panel Series	Paws 29-Panel Series	Railway 26-Panel Series	Stuffed Animals Four-Panel Series

#### Product literature

Data sheet: IC327

#### Online tools

[usgdesignstudio.com](http://usgdesignstudio.com) or [cgcdesignstudio.com](http://cgcdesignstudio.com)

#### Notes

1. For all panels in each of the series in PDF, AutoCAD® or Revit®, contact your local USG sales rep.
2. See Colors selector for more information.

#### Notice

Panels with USG Renditions™ face routing do not carry USG ClimaPlus™ nonsag limited system warranty. Refer to standard commercial ceilings systems warranty.

AutoCAD and Revit are trademarks of Autodesk Inc.

#### Notice

The information in this document is subject to change without notice. CGC Inc. or USG Corp. assumes no responsibility for any errors that may inadvertently appear in this document.

#### IC327/rev. 6-22

© 2022 USG Corporation and/or its affiliates. All rights reserved. Printed in USA

Manufactured by USG Interiors, LLC 550 West Adams Street Chicago, IL 60661

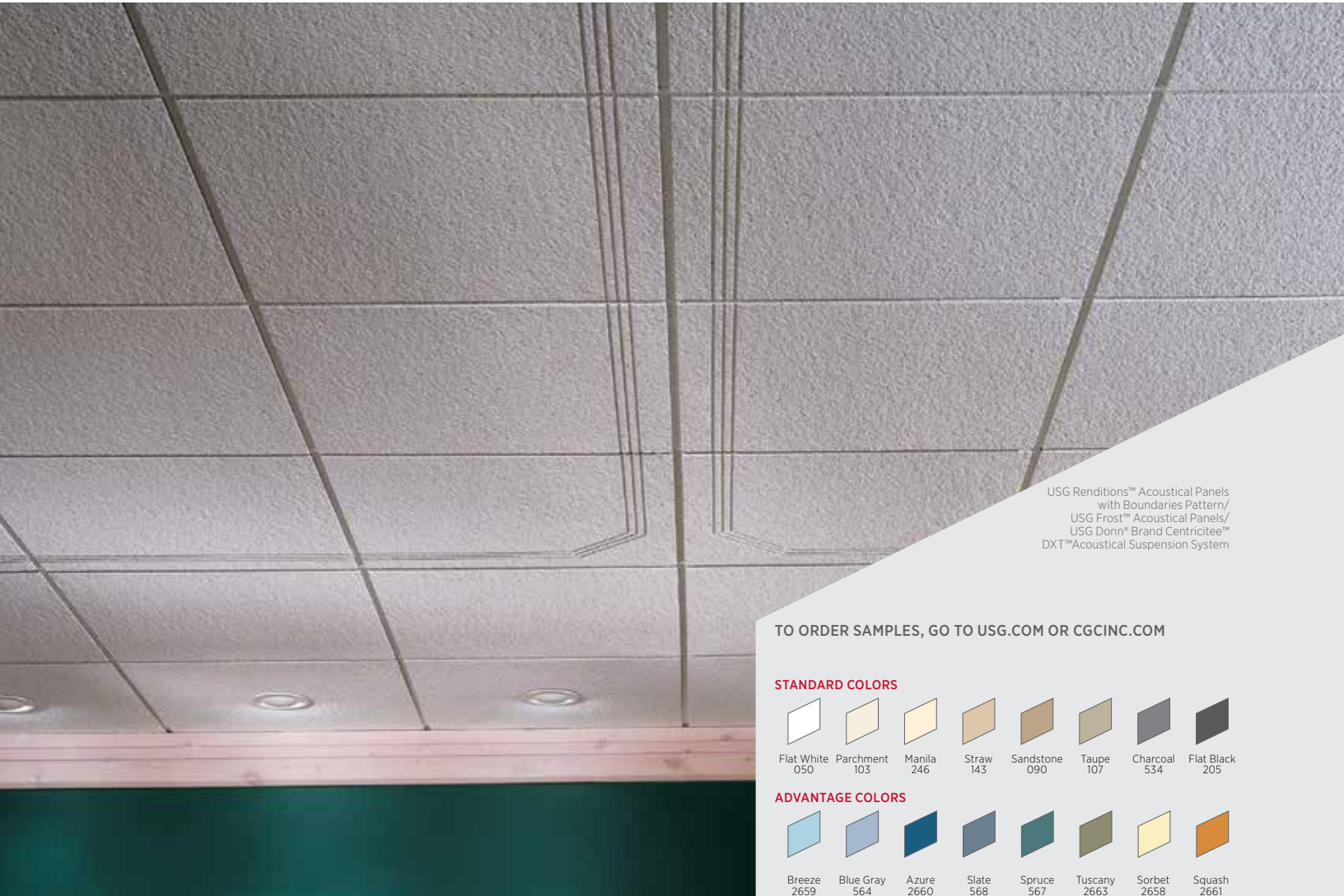
The trademarks USG, CGC, CLIMAPLUS, DONN, DX, ECLIPSE, FROST, RENDITIONS, IT'S YOUR WORLD, BUILD IT, the USG/CGC logo, the design elements and colors, and related marks are trademarks of USG Corporation or its affiliates.

Safety First! Follow good safety/industrial hygiene practices during installation. Wear appropriate personal protective equipment. Read SDS and literature before specification and installation.





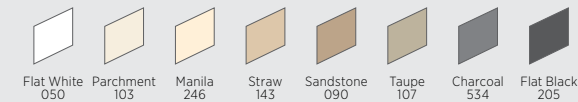
# USG RENDITIONS™ BOUNDARIES ACOUSTICAL PANELS



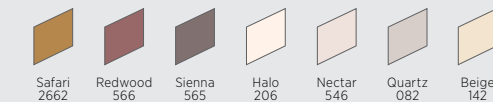
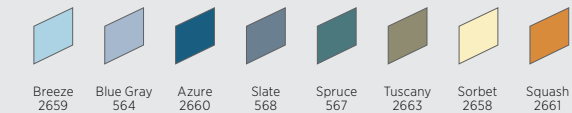
USG Renditions™ Acoustical Panels  
with Boundaries Pattern/  
USG Frost™ Acoustical Panels/  
USG Donn® Brand Centricitee™  
DXT™ Acoustical Suspension System

TO ORDER SAMPLES, GO TO [USG.COM](http://USG.COM) OR [CGCINC.COM](http://CGCINC.COM)

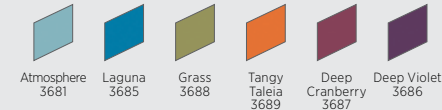
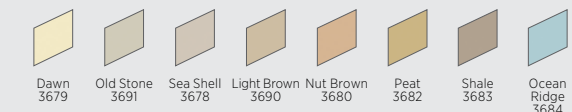
### STANDARD COLORS



### ADVANTAGE COLORS



### PREMIUM COLORS



### FEATURES AND BENEFITS

- Computer-generated, face-routed designs combined with the beautiful fine texture of USG Eclipse™ or Frost™ Acoustical Panels.
- Numbered ceiling panels match shop drawings for easy installation.
- Available in Square, Finline and Shadowline edges.
- Custom designs available.
- All panels available in Flat White. USG Frost™ panels available in Standard, Advantage, Premium and custom colors.
- Ceiling panels can be made from your sketches, AutoCAD® or Revit® drawings.

### APPLICATIONS

- Educational
- Healthcare
- Retail space
- Theme and whimsical areas

### SUBSTRATES

- Wet-formed mineral fiber (USG Eclipse™)
- Cast mineral fiber (USG Frost™)

### PRODUCT INFORMATION

Fire Rating	Color <sup>2</sup>	Typical Sizes	Available Panels and Edges				
Class A	All panels available in Flat White. USG Frost™ panels available in Standard, Advantage, Premium and custom colors.	2'x2'	SQ	SLT	SLB	FL	FLB
	USG Eclipse™		•	•	—	•	—
	USG Frost™		—	—	•	•	•

### PATTERNS<sup>1</sup>

USG Renditions™ I Outside Corner	USG Renditions™ I Inside Corner	USG Renditions™ II Outside Corner	USG Renditions™ II Inside Corner
USG Renditions™ III Outside Corner	USG Renditions™ III Inside Corner	Straight Line	
Curls-S	Curls-SE	Deco-SE	Deco-S
Dentil-2	Dentil-SE	Dentil-S	
Diagonal-SE	Diagonal-S	Tara-SE	Tara-S

**Product literature**  
Data sheet: IC332

**Online tools**  
[usgdesignstudio.com](http://usgdesignstudio.com) or [cgcdesignstudio.com](http://cgcdesignstudio.com)

### Notes

1. For all panels in each of the series in PDF, AutoCAD® or Revit®, visit [usgdesignstudio.com](http://usgdesignstudio.com) or [cgcdesignstudio.com](http://cgcdesignstudio.com).
2. See Colors selector for more information.

### Notice

Panels with USG Renditions™ face routing do not carry the USG ClimaPlus™ nonsag limited system warranty. Refer to standard commercial ceilings systems warranty.

### PHYSICAL DATA/ FOOTNOTES

AutoCAD and Revit are trademarks of Autodesk Inc.

**Notice**  
The information in this document is subject to change without notice. CGC Inc. or USG Corp. assumes no responsibility for any errors that may inadvertently appear in this document.

IC332/rev. 6-22  
© 2022 USG Corporation and/or its affiliates. All rights reserved. Printed in USA

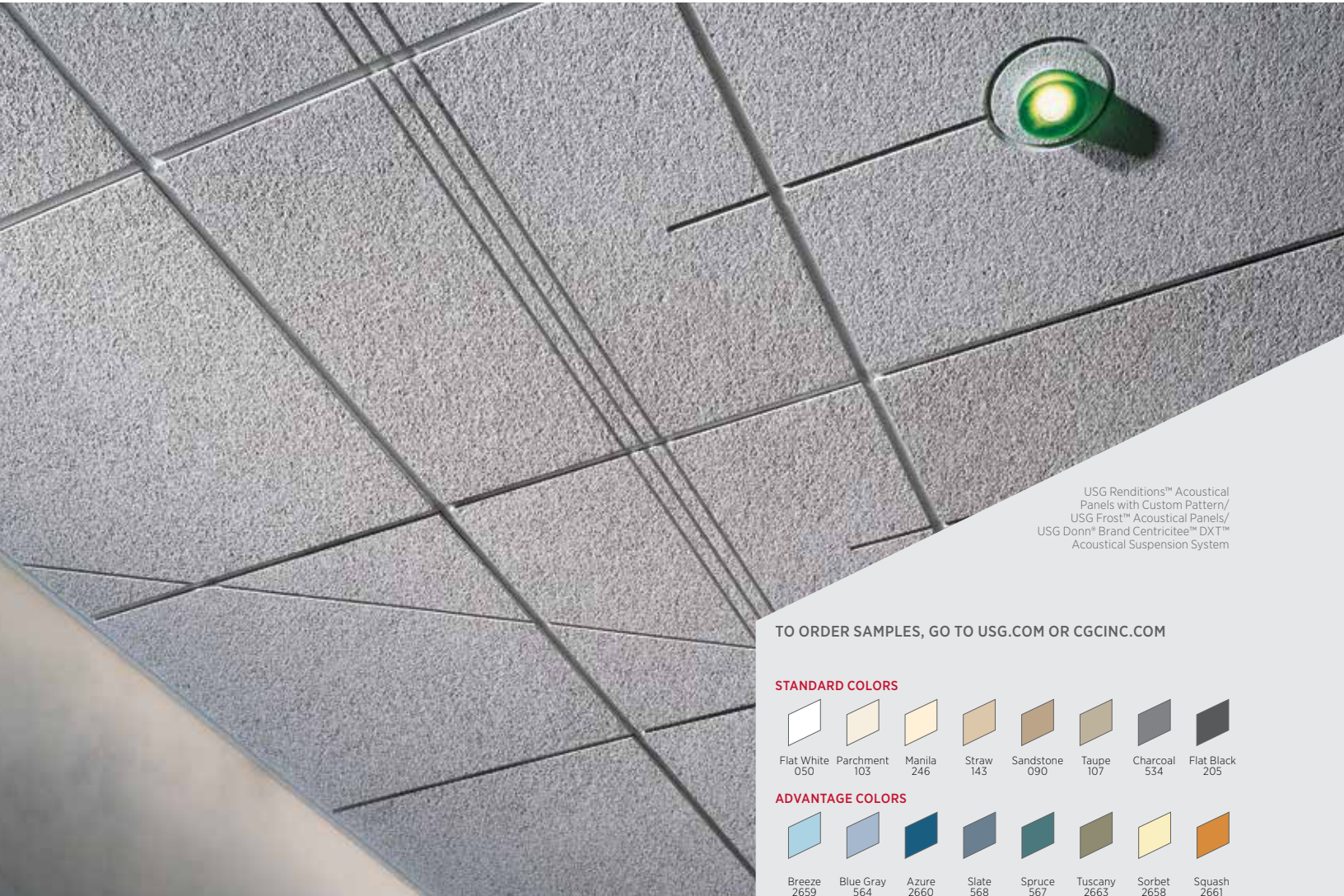
Manufactured by USG Interiors, LLC  
550 West Adams Street  
Chicago, IL 60661

The trademarks USG, CGC, CENTRICITEE, CLIMAPLUS, DONN, DXT, ECLIPSE, FROST, RENDITIONS, IT'S YOUR WORLD. BUILD IT., the USG/CGC logo, the design elements and colors, and related marks are trademarks of USG Corporation or its affiliates.

Safety First! Follow good safety/industrial hygiene practices during installation. Wear appropriate personal protective equipment. Read SDS and literature before specification and installation.



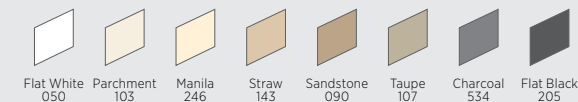
# USG RENDITIONS™ CUSTOM ACOUSTICAL PANELS



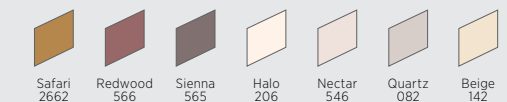
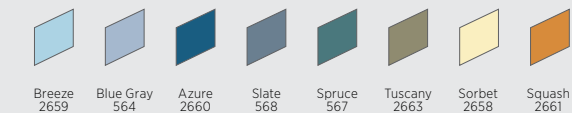
USG Renditions™ Acoustical Panels with Custom Pattern/  
USG Frost™ Acoustical Panels/  
USG Donn® Brand Centricitee™ DXT™  
Acoustical Suspension System

TO ORDER SAMPLES, GO TO [USG.COM](http://USG.COM) OR [CGCINC.COM](http://CGCINC.COM)

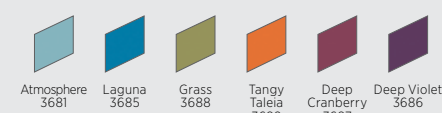
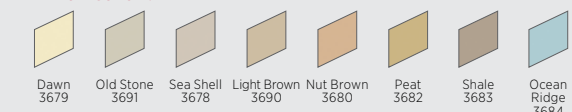
### STANDARD COLORS



### ADVANTAGE COLORS



### PREMIUM COLORS



### FEATURES AND BENEFITS

- Computer-generated, face-routed designs combined with the beautiful fine texture of USG Eclipse™ or Frost™ Acoustical Panels.
- Custom patterns allow a unique ceiling statement.
- Numbered ceiling panels match shop drawings for easy installation.
- Available in Square, Finline and Shadowline edges.
- Ceiling panels can be made from your sketches, AutoCAD® or Revit® drawings.
- All panels available in Flat White. USG Frost™ panels available in Standard, Advantage, Premium and custom colors.

### APPLICATIONS

- Educational
- Healthcare
- Retail space
- Theme and whimsical areas

### SUBSTRATES

- Wet-formed mineral fiber (USG Eclipse™)
- Cast mineral fiber (USG Frost™)

### PRODUCT INFORMATION

Fire Rating	Color <sup>2</sup>	Typical Sizes	Available Panels and Edges					
			SQ	SLT	SLB	FL	FLB	
Class A	All panels are available in Flat White. USG Frost™ panels are available in Standard, Advantage, Premium and custom colors.	2'x2'	USG Eclipse™	•	•	—	•	—
			USG Frost™	—	—	•	•	•

### PATTERNS<sup>1</sup>

Crystal	Square to Square	Custom Logo

### PHYSICAL DATA/ FOOTNOTES

**Product literature**  
Data sheet: IC356

**Online tools**  
[usgdesignstudio.com](http://usgdesignstudio.com) or [cgcdesignstudio.com](http://cgcdesignstudio.com)

### Notes

1. For all panels in each of the series in PDF, AutoCAD® or Revit®, visit [usgdesignstudio.com](http://usgdesignstudio.com) or [cgcdesignstudio.com](http://cgcdesignstudio.com).
2. See Colors selector for more information.

**ORDER SAMPLES/LITERATURE**  
USG: [usg.com](mailto:usg.com) or [samplit@usg.com](mailto:samplit@usg.com)  
CGC: contact Sales Representative  
**TECHNICAL SERVICES**  
800 USG.4YOU (874-4968)

**FOR MOST UP-TO-DATE TECHNICAL INFORMATION AND LEED REPORT TOOL**  
[usgdesignstudio.com](http://usgdesignstudio.com)  
[cgcdesignstudio.com](http://cgcdesignstudio.com)

AutoCAD and Revit are trademarks of Autodesk Inc.

**Notice**  
The information in this document is subject to change without notice. CGC Inc. or USG Corp. assumes no responsibility for any errors that may inadvertently appear in this document.

**IC356/rev. 6-22**  
© 2022 USG Corporation and/or its affiliates. All rights reserved. Printed in USA

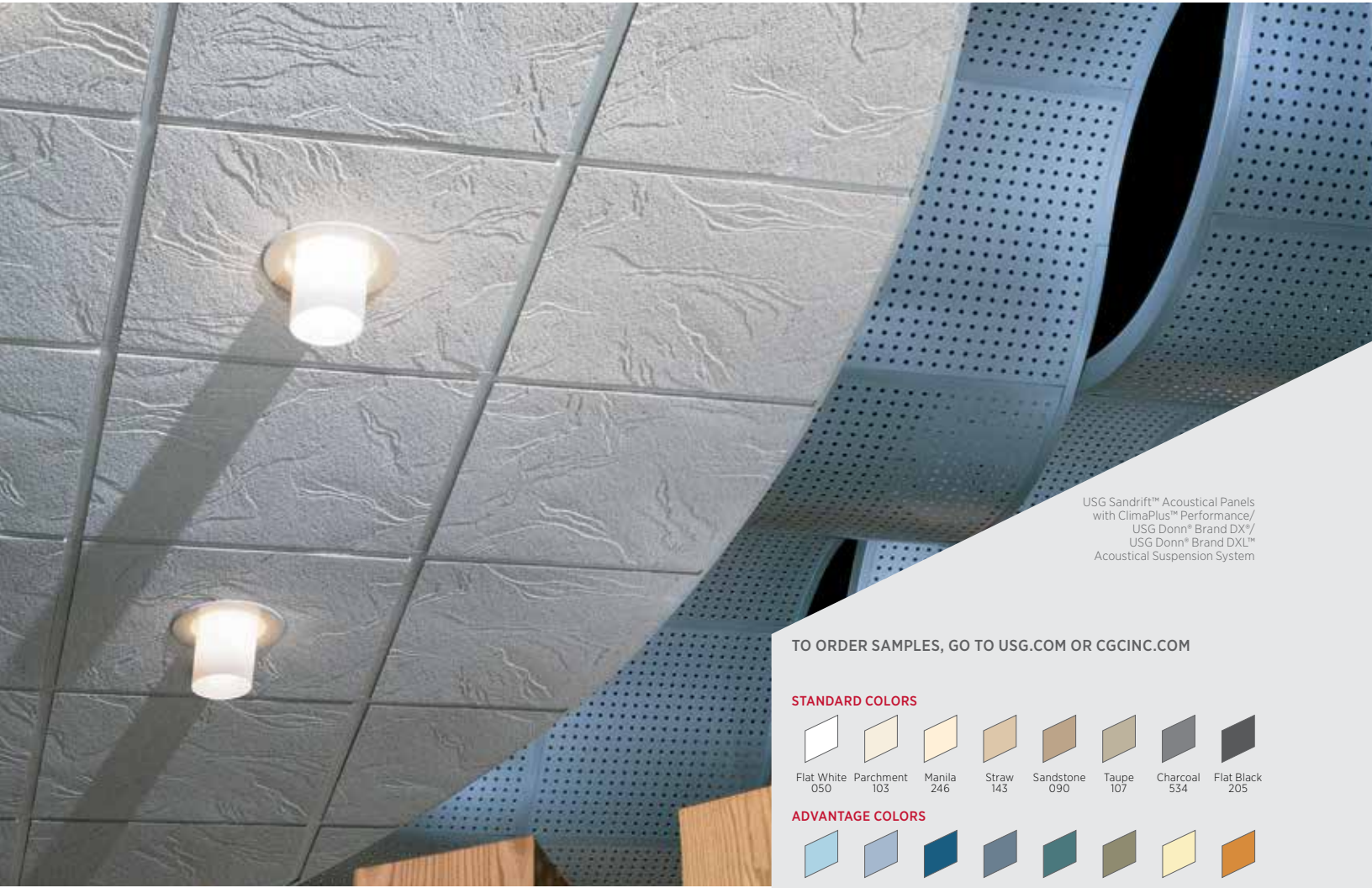
Manufactured by USG Interiors, LLC  
550 West Adams Street  
Chicago, IL 60661

The trademarks USG, CGC, CENTRICITEE, CLIMAPLUS, DONN, DXT, ECLIPSE, FROST, RENDITIONS, IT'S YOUR WORLD. BUILD IT., the USG/CGC logo, the design elements and colors, and related marks are trademarks of USG Corporation or its affiliates.

Safety First! Follow good safety/industrial hygiene practices during installation. Wear appropriate personal protective equipment. Read SDS and literature before specification and installation.

# USG SANDRIFT™ ACOUSTICAL PANELS

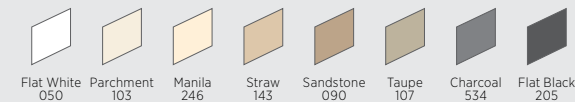
CLIMAPLUS™ PERFORMANCE



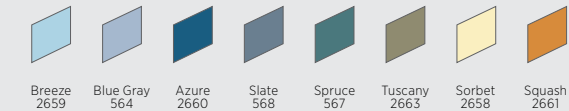
USG Sandrift™ Acoustical Panels with ClimaPlus™ Performance/USG Donn® Brand DX™/USG Donn® Brand DXL™ Acoustical Suspension System

TO ORDER SAMPLES, GO TO USG.COM OR CGCINC.COM

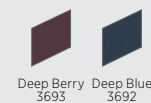
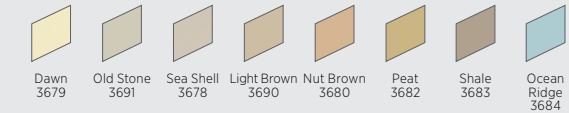
### STANDARD COLORS



### ADVANTAGE COLORS



### PREMIUM COLORS



### FEATURES AND BENEFITS

- Uniquely textured cast product with durable surface that resists scrapes commonly caused by accessing the ceiling plenum.
- Integral color masks nicks and scratches.
- Optional Firecode® product designed to meet life-safety codes.
- ClimaPlus™ 30-year limited system warranty against visible sag, mold and mildew.
- USDA Certified Biobased Product.<sup>6</sup>
- VOC emissions meet CA Specification 01350.
- Balanced Acoustics. NRC and CAC.
- USG Sandrift™ Acoustical Panels are part of the Ecoblueprint™ portfolio – meeting today's sustainability standards. For sustainability documentation go to USG.com or CGCInc.com.

### APPLICATIONS

- Conference and lobby areas
- Department stores
- Entertainment and gaming areas
- Executive offices
- Restaurants

### SUBSTRATE

- Cast mineral fiber



### USG SANDRIFT™ PANELS

### USG SANDRIFT™ BASIC PANELS

### GRID PROFILE OPTIONS

### PHYSICAL DATA/ FOOTNOTES

**Notice**  
The information in this document is subject to change without notice. CGC Inc. or USG Corp. assumes no responsibility for any errors that may inadvertently appear in this document.

SC1841/rev. 6-22  
© 2022 USG Corporation and/or its affiliates. All rights reserved. Printed in USA

# USG SANDRIFT™ ACOUSTICAL PANELS

CLIMAPLUS™ PERFORMANCE

ORDER SAMPLES/LITERATURE  
USG: usg.com or sampl@usg.com  
CGC: contact Sales Representative

FOR MOST UP-TO-DATE  
TECHNICAL INFORMATION  
AND LEED REPORT TOOL  
usgdesignstudio.com  
cgcdesignstudio.com



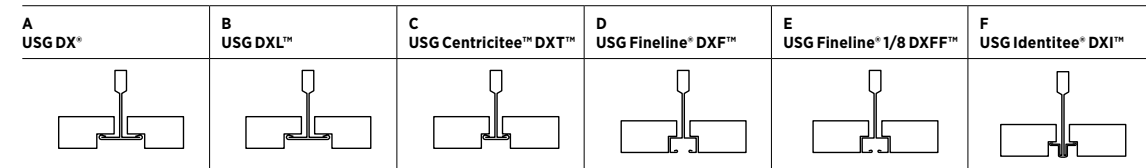
Edge	Panel Size	Fire Rating <sup>2</sup>	Item No.	NRC	CAC Min.	LR <sup>3</sup>	Color <sup>5</sup>	Grid Options	VOC Emissions	Anti-Mold & Mildew/Sag Resistance	Abuse Resistant	Recycled Content <sup>1</sup>	Panel Cost
SL	2'x2'x3/4" Paper-Back	Class A	808	0.70	38	0.83	White Standard Advantage Premium	A	Low	✓	✓	69%	\$\$\$
FL	2'x2'x3/4" Paper-Back	Class A	809	0.70	38	0.83	White Standard Advantage Premium	C,D,E,F	Low	✓	✓	69%	\$\$\$
SL	2'x2'x3/4" Paper-Back	Class A	815	0.55	35	0.83	White	B	Low	—	✓	71%	\$\$\$

**Low Emissions (VOC)**  
Third party (GREENGUARD Gold) certified for low-emitting performance, meets California Department of Public Health's (CDPH) Standard Method v1.2 - 2017 (CA Section 01350). 'Certificates of Compliance' for Low VOC Emissions are available on usg.com and at spot.ul.com.

**ClimaPlus™ Warranty Performance<sup>4</sup>**  
Contains a broad-spectrum antimicrobial additive on the face and back of the panel that provides resistance against the growth of mold and mildew. Includes sag-resistance performance.

**High Recycled Content**  
USG classifies High Recycled Content as greater than 50%. Total recycled content is based on product composition of postconsumer and preconsumer (postindustrial) recycled content per FTC guidelines.

**Firecode®**  
**Abuse Resistant**



**Product literature**  
Data sheet: SC1841

**ASTM E1264 classification**  
Type III, Form 4, Pattern Z

**ASTM E84 and CAN/ULC S102 surface-burning characteristics**  
Class A  
Flame spread: 25 or less  
Smoke developed: 50 or less

**UL Type**  
AP, AP-1, AP-2, AP-3

**Weight**  
1.55 lb./sq. ft. (Class A)  
1.72 lb./sq. ft. (Firecode® weight)

**Online tools**  
usgdesignstudio.com or cgcdesignstudio.com

**Thermal resistance**  
R-1.7 (Class A)  
R-1.3 (Firecode®)

**Maximum backloading**  
See USG 30-Year Limited System Warranty Commercial Applications (SC2102).

**Texture**  
The manufacturing process for cast ceiling panels creates natural, subtle texture variations, which is a distinguishing feature of these products. Because of potential variances between production dates, we recommend ordering and installing cast products by production lot number.

**Maintenance**  
Can be cleaned easily with a soft brush or vacuum.

**Notes**

1. For details, see USG Sustainability tool at usgdesignstudio.com or cgcdesignstudio.com.
2. Fire-rated items: see UL design details.
3. LR values are shown as averages.
4. For details, see USG 30-Year Limited System Warranty Commercial Applications (SC2102).
5. To highlight the unique texture of USG Sandrift™ Acoustical Panels with ClimaPlus™ Performance, choose light colors. See Colors selector for more information.
6. This product has achieved both BioPreferred initiatives: Federal Procurement Preference and Certified Product Labeling. See the complete listing of all USG ceiling panels on biopreferred.gov website.

Manufactured by USG Interiors, LLC 550 West Adams Street Chicago, IL 60661

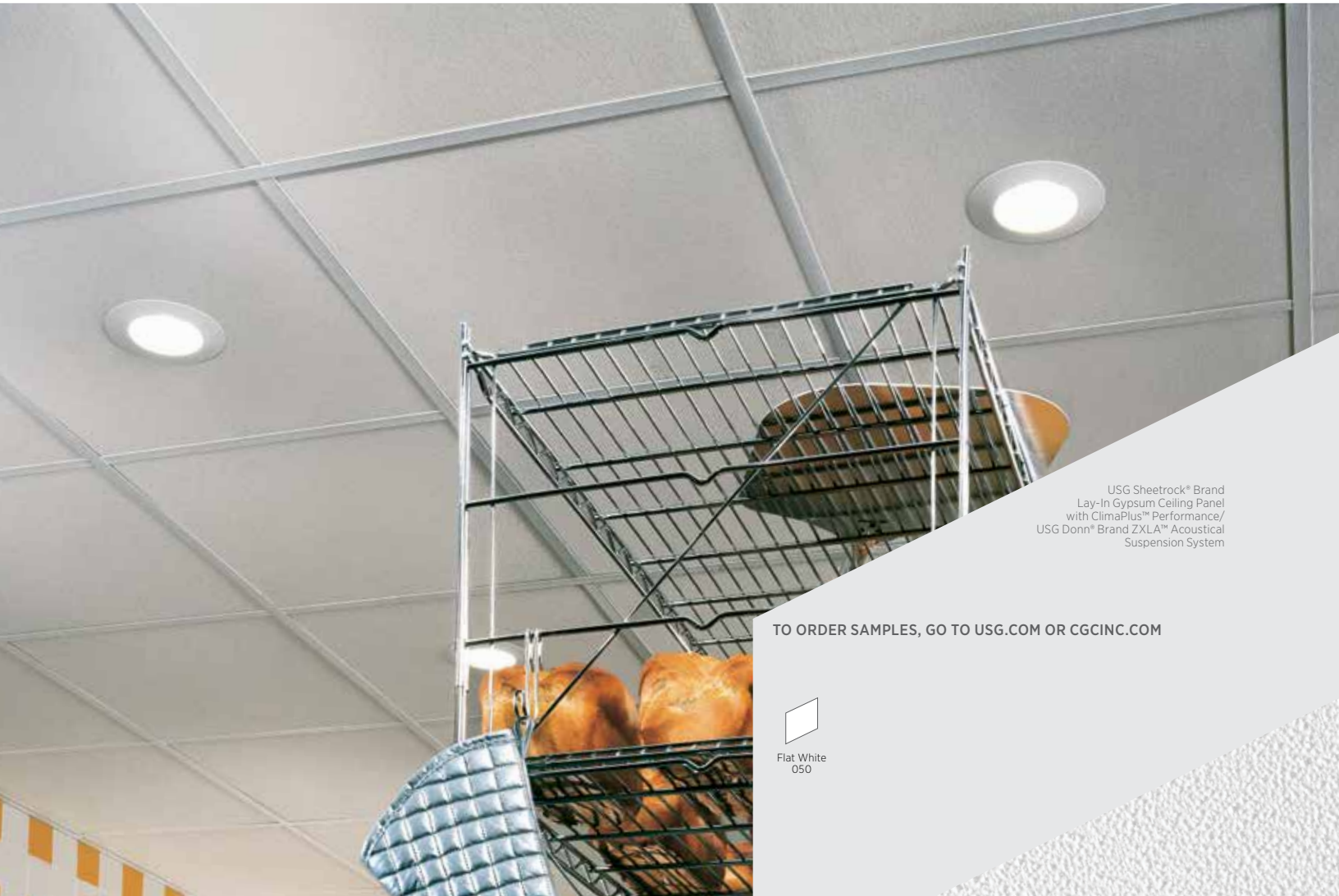
The trademarks USG, CGC, CENTRICITEE, CLIMAPLUS, DONN, DX, DXF, DXFF, DXI, DXL, DXT, FINELINE, FIRECODE, IDENTITEE, SANDRIFT, IT'S YOUR WORLD. BUILD IT., the USG/CGC logo, the design elements and colors, and related marks are trademarks of USG Corporation or its affiliates.

Safety First! Follow good safety/industrial hygiene practices during installation. Wear appropriate personal protective equipment. Read SDS and literature before specification and installation.



# USG SHEETROCK® BRAND LAY-IN GYPSUM CEILING PANELS

CLIMAPLUS™ PERFORMANCE



USG Sheetrock® Brand Lay-in Gypsum Ceiling Panel with ClimaPlus™ Performance/USG Donn® Brand ZXL™ Acoustical Suspension System

TO ORDER SAMPLES, GO TO USG.COM OR CGCINC.COM



Smooth-Textured Panel – Vinyl



USG SHEETROCK® BRAND LAY-IN CEILING PANEL

USG SHEETROCK® BRAND LAY-IN CEILING PANEL CLEAN ROOM™ 5

GRID PROFILE OPTIONS

PHYSICAL DATA/ FOOTNOTES

**Notice**  
The information in this document is subject to change without notice. CGC Inc. or USG Corp. assumes no responsibility for any errors that may inadvertently appear in this document.

SC1820/rev. 6-22  
© 2022 USG Corporation and/or its affiliates. All rights reserved. Printed in USA

## USG SHEETROCK® BRAND LAY-IN GYPSUM CEILING PANELS

CLIMAPLUS™ PERFORMANCE



ORDER SAMPLES/LITERATURE  
USG: usg.com or samplit@usg.com  
CGC: contact Sales Representative  
TECHNICAL SERVICES  
800 USG.4YOU (874-4968)

FOR MOST UP-TO-DATE TECHNICAL INFORMATION AND LEED REPORT TOOL  
usgdesignstudio.com  
cgcdesignstudio.com

Edge	Panel Size	Fire Rating <sup>2</sup>	Item No.	NRC <sup>4</sup>	CAC Min.	LR <sup>3</sup>	Color	Abuse Resistant	Grid Options	VOC Emissions	Recycled Content <sup>1</sup>	Panel Cost
SQ	2'x2'x1/2"		3260	-	35	0.77	White		A,B,C,D	Low	8%	\$
	2'x4'x1/2"		3270	-	40	0.77	White		A,B,C,D	Low	8%	\$
SQ	2'x4'x1/2"		3200	-	40	0.77	White		A,B,C,D	Low	8%	\$\$

**Low Emissions (VOC)**

Third party (GREENGUARD Gold) certified for low-emitting performance, meets California Department of Public Health's (CDPH) Standard Method v1.2 - 2017 (CA Section 01350). 'Certificates of Compliance' for Low VOC Emissions are available on usg.com and at spot.ul.com.

**Firecode®**

**Abuse Resistant**

A USG DXL™	B USG DXLA™	C USG ZXLA™	D <sup>6</sup> USG CE™

**Product literature**  
Data sheet: SC1820

**ASTM E1264 classification**  
Type XX, Pattern G

**ASTM E84 and CAN/ULC S102 surface-burning characteristics**  
Class A  
Flame spread: 25 or less  
Smoke developed: 50 or less

**UL Type**  
FC-CB

**Weight**  
1/2" = 2.00 lb./sq. ft.

**Online tools**  
usgdesignstudio.com or cgcdesignstudio.com

**Thermal resistance**  
1/2" = R-0.45

**Maximum backloading**  
See USG 30-Year Limited System Warranty Commercial Applications (SC2102).

**Maintenance**  
Can be cleaned easily with a damp sponge. Use mild detergent and water—do not use acetate, ammonia or high concentration of chlorine, bromide or other harsh chemicals.

**Application considerations**  
Product is directional. Install with all manufactured edges parallel and in the same direction.

**Notes**

- For details, see USG Sustainability tool at usgdesignstudio.com or cgcdesignstudio.com.
- Fire-rated items: see UL design details.
- LR values are shown as averages.
- NRC rating is 0.10. USG does not consider a ceiling panel to be acoustically rated if NRC is less than 0.50.
- Field-cut edges of USG Clean Room™ panels must be sealed with white latex paint.
- Clean Room-rated applications require a suspension system with gasketed tee flanges such as USG Donn® Brand CE™.
- This product has achieved both BioPreferred initiatives: Federal Procurement Preference and Certified Product Labeling. See the complete listing of all USG ceiling panels on biopreferred.gov website.

Manufactured by  
United States Gypsum Company  
550 West Adams Street  
Chicago, IL 60661

The trademarks USG, CGC, CE, CLEAN ROOM, CLIMAPLUS, DONN, DXL, DXLA, FIRECODE, SHEETROCK, ZXLA, IT'S YOUR WORLD, BUILD IT, the USG/CGC logo, the design elements and colors, and related marks are trademarks of USG Corporation or its affiliates.

Safety First! Follow good safety/industrial hygiene practices during installation. Wear appropriate personal protective equipment. Read SDS and literature before specification and installation.



# USG TOUCHSTONE™ ACOUSTICAL PANELS

CLIMAPLUS™ PERFORMANCE



PRODUCT CERTIFIED FOR LOW CHEMICAL EMISSIONS:  
ULCOM/CG  
UL2818

## USG TOUCHSTONE™ ACOUSTICAL PANELS

CLIMAPLUS™ PERFORMANCE

ORDER SAMPLES/LITERATURE  
USG: usg.com or samplit@usg.com  
CGC: contact Sales Representative

TECHNICAL SERVICES  
800 USG.4YOU (874-4968)

FOR MOST UP-TO-DATE  
TECHNICAL INFORMATION  
AND LEED REPORT TOOL  
usgdesignstudio.com  
cgcdesignstudio.com



30 YEAR LIMITED SYSTEM WARRANTY  
• No Visible Sag  
• Mold/Mildew Protection

Edge	Panel Size	Fire Rating <sup>2</sup>	Item No.	UL Classified			Color	Grid Options	VOC Emissions	Anti-Mold & Mildew/Sag Resistance	Abuse Resistant	Recycled Content <sup>1</sup>	Panel Cost
				NRC	CAC Min.	LR <sup>3</sup>							
SQ	2'x2'x5/8"		5893	0.55	35	0.86	White	A,B	Low			47%	\$\$
	2'x4'x5/8"												
SLT	2'x2'x5/8"		5896	0.55	35	0.86	White	C	Low			47%	\$\$

### Low Emissions (VOC)

Third party (GREENGUARD Gold) certified for low-emitting performance, meets California Department of Public Health's (CDPH) Standard Method v1.2 - 2017 (CA Section 01350). 'Certificates of Compliance' for Low VOC Emissions are available on usg.com and at spot.ul.com.

### ClimaPlus™ Warranty Performance<sup>4</sup>

Contains a broad-spectrum antimicrobial additive on the face and back of the panel that provides resistance against the growth of mold and mildew. Includes sag-resistance performance.

### Firecode®

Abuse Resistant

### USG TOUCHSTONE™ PANELS

### GRID PROFILE OPTIONS

### PHYSICAL DATA/ FOOTNOTES

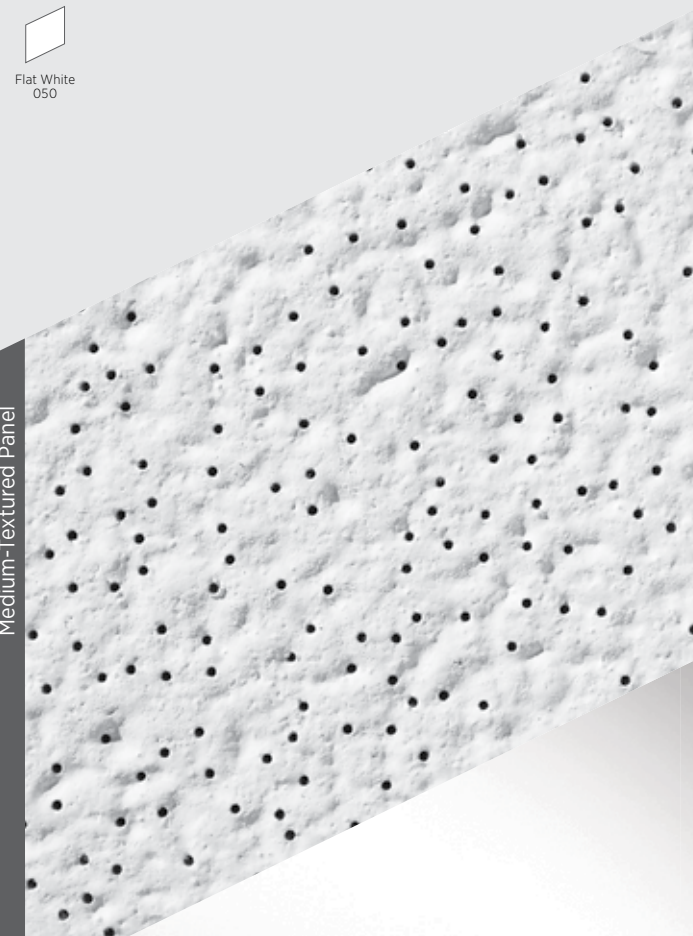
USG Touchstone™ Acoustical Panels with ClimaPlus™ Performance/USG Donn™ Brand DXL™ Acoustical Suspension System

TO ORDER SAMPLES, GO TO USG.COM OR CGCINC.COM



Flat White  
050

Medium-Textured Panel



**Notice**  
The information in this document is subject to change without notice. CGC Inc. or USG Corp. assumes no responsibility for any errors that may inadvertently appear in this document.

SC2214/rev. 6-22  
© 2022 USG Corporation and/or its affiliates. All rights reserved. Printed in USA

### Product literature

Data sheet: SC2214

### ASTM E1264 classification

Type III, Form 2, Pattern CEI

### ASTM E84 and CAN/ULC S102 surface-burning characteristics

Class A

Flame spread: 25 or less  
Smoke developed: 50 or less

### UL Type

FR-B3

### Weight

1.09 lb./sq. ft.

### Online tools

usgdesignstudio.com or cgcdesignstudio.com

### Thermal resistance

R-1.6

### Maximum backloading

See USG 30-Year Limited System Warranty Commercial Applications (SC2102).

### Maintenance

Can be cleaned easily with a soft brush or vacuum.

### Metric sizes available

Contact sales for minimum quantities and lead times.

### Notes

- For details, see USG Sustainability tool at usgdesignstudio.com or cgcdesignstudio.com.
- Fire-rated items: see UL design details.
- LR values are shown as averages.
- For details, see USG 30-Year Limited System Warranty Commercial Applications (SC2102).
- Maximum 2'x2' with SQ edge panels.

Manufactured by USG Interiors, LLC 550 West Adams Street Chicago, IL 60661

The trademarks USG, CGC, CENTRICITEE, CLIMAPLUS, DONN, DXL, DXLF, DXLT, DXT, FINELINE, FIRECODE, TOUCHSTONE, IT'S YOUR WORLD, BUILD IT, the USG/CGC logo, the design elements and colors, and related marks are trademarks of USG Corporation or its affiliates.

Safety First! Follow good safety/industrial hygiene practices during installation. Wear appropriate personal protective equipment. Read SDS and literature before specification and installation.



# SUSPENSION SYSTEMS

USG Orion™ 85 Acoustical Panels, Mars™ High-NRC Logix™ Acoustical Panels and Donn® Brand DX®/DXL™ 15/16" Acoustical Suspension System  
Cognizant Office in Irving, TX  
Architect: IA INTERIOR ARCHITECTS  
Photo: ©Thomas McConnell

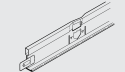
# USG DONN® BRAND DX®/DXL™ ACOUSTICAL SUSPENSION SYSTEM



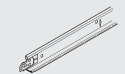
USG Donn® Brand DX®/DXL™  
Acoustical Suspension System/  
USG Eclipse™ Acoustical Panels

## 15/16" TEE SYSTEM<sup>10</sup>

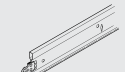
Main Tee



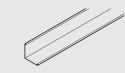
Cross Tee 1"



Cross Tee 1-1/2"

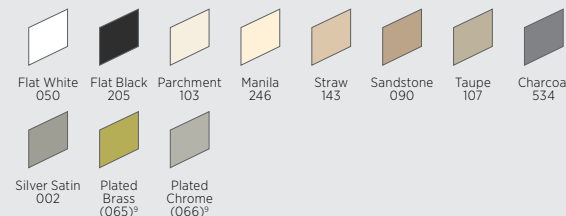


## MOLDING

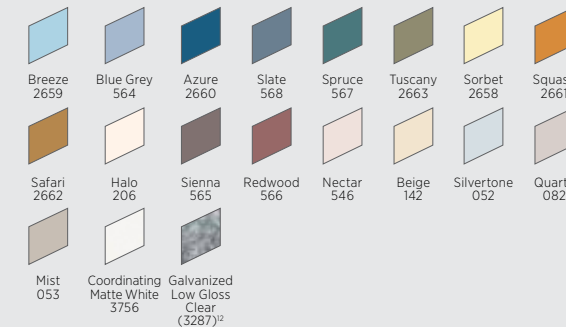


TO ORDER SAMPLES, GO TO USG.COM OR CGCINC.COM

### STANDARD COLORS<sup>4</sup>



### ADVANTAGE COLORS<sup>4</sup>



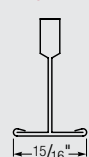
### PREMIUM COLORS



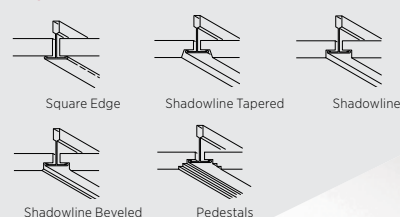
### POWDER-COATED FINISH



### PROFILE



### EDGE DETAIL



### PHYSICAL DATA/ FOOTNOTES

**Notice**  
The information in this document is subject to change without notice. CGC Inc. or USG Corp. assumes no responsibility for any errors that may inadvertently appear in this document.

**AC3167/rev. 6-22**  
© 2022 USG Corporation and/or its affiliates. All rights reserved. Printed in U.S.A.

## FEATURES AND BENEFITS

- 15/16" exposed tee system. Components for use in general and fire-rated applications.
- Maximum economy and design simplicity.
- Compatible with USG Logix™ Integrated Ceiling System.
- USG DXL™ system features more than 80 UL designs (up to three hours).
- Cross-tee override-ends resist twisting and give a professionally finished look.
- Meets or exceeds all national code requirements, including seismic.
- Proprietary Quick-Release™ cross tees.
- High recycled content (HRC) available.
- Custom colors available.
- ICC-ES evaluated for seismic installations (ESR-1222).
- USG Donn® Brand DX™/DXL™ Acoustical Suspension System is part of the Ecoblueprint™ portfolio — meeting today's sustainability standards. For sustainability documentation go to USG.com or CGCinc.com.

## APPLICATIONS

- Fire-rated interior general-use areas
- USG Logix™ Integrated System

# USG DONN® BRAND DX®/DXL™ ACOUSTICAL SUSPENSION SYSTEM

ORDER SAMPLES/LITERATURE  
USG: usg.com or sampllit@usg.com  
CGC: contact Sales Representative

FOR MOST UP-TO-DATE  
TECHNICAL INFORMATION  
AND LEED REPORT TOOL  
usgdesignstudio.com  
cgcdesignstudio.com



Declare® Labels on select finishes, see usg.com for more details and documentation.

ASTM Class	Length	Height	Item No.	Fire Rating <sup>3</sup>	Color <sup>4,9</sup>	Seismic Design Category <sup>1</sup>			Rated Load <sup>2</sup>		
						IBC	ICC-ES Evaluated Installation	4' Hanger Spacing	5' Hanger Spacing	6' Hanger Spacing <sup>8</sup>	
Intermediate Duty	12' 3600 mm	USG 1.64" (42 mm)	DX24	Class A	Flat White Standard Advantage	A-C	7/8" Molding ACM7 Clip	12 lb./LF	6.1 lb./LF	3.6 lb./LF	
			DXL24 <sup>HRC</sup>								
Heavy Duty	12' 3600 mm	USG 1.64" (42 mm)	DXL26	Class A	Flat White Standard Advantage	A-F	7/8" Molding ACM7 Clip	16 lb./LF	7.3 lb./LF	4.9 lb./LF	
			DXL26HRC <sup>HRC</sup>								
	2' 600 mm	USG 1" (25 mm)	DX216	Class A	Flat White, Standard, Advantage, and Premium						
			DXL216								
	20"	1" (25 mm)	DX2016	Class A	Flat White, Standard, Advantage, and Premium						
			DX3016								
	30"	1" (25 mm)	DX3016	Class A	Flat White, Standard, Advantage, and Premium						
			DX324								
	3'	1-1/2" (38 mm)	DX324	Class A	Flat White, Standard, Advantage, and Premium						
			DXL424 <sup>HRC</sup>								
	4' 1200 mm	USG 1-1/2" (38 mm)	DXL424 <sup>HRC</sup>	Class A	Flat White, Standard, Advantage, and Premium						
			DX422 <sup>5,7,9</sup>								
	4' (1200 mm)	1" (25 mm)	DX416	Class A	Flat White, Standard, Advantage, and Premium						
			DX422HRC <sup>5</sup>								
	4' (1200 mm)	1-1/2" (38 mm)	DX426 HD	Class A	Flat White, Standard, Advantage, and Premium						
			DXL524 <sup>HRC</sup>								
	5' (1500 mm)	1-1/2" (38 mm)	DXL524 <sup>HRC</sup>	Class A	Flat White, Standard, Advantage, and Premium						
			DX624								
	6'	1-1/2" (38 mm)	DX624	Class A	Flat White, Standard, Advantage, and Premium						
			DX824								
	8'	1-1/2" (38 mm)	DX824	Class A	Flat White, Standard, Advantage, and Premium						
			DX824								

Wall Angle	Length	Item No.	Color	Wall Angle	Length	Item No.	Color
	12' 3600 mm	M7 M7HRC	Standard Advantage Premium		12' 3600 mm	MS125	Flat White Standard Advantage Premium
	10' 3000 mm	M18	Standard Advantage Premium		12' 3600 mm	MS174	Standard Advantage Premium
	10' 3000 mm	M20SM-2	Standard Advantage Premium		10' 3000 mm	MS274 <sup>5</sup>	
	10' 3000 mm	M20 <sup>5</sup> M20SM/Seismic	Standard Advantage Premium				

**Low Emissions (VOC)**  
CDPH 01350 v1.2-2017 compliance on select finishes, see usg.com for more details and documentation.

**High Recycled Content**  
USG classifies High Recycled Content as greater than 50%. Total recycled content is based on product composition of postconsumer and preconsumer (postindustrial) recycled content per FTC guidelines.



### Product literature and samples

Data sheet: AC3167  
USG Logix™ system guide: IS268  
USG Logix™ architectural design guide: IS287  
USG Logix™ critical system dimensions: IS609  
Sample flat white—seismic: 271370  
Sample flat white: 215675  
Sample main tee: 206563  
Sample flat black: 205100

### Material

Min. G30 hot-dipped galvanized steel body and cap. Baked-on polyester paint.

### Installation

Install according to ASTM C636, ASTM E580, CISCA and USG requirements. Alternate installation methods may be used when approved by the authority having jurisdiction.

### Online tools

usgdesignstudio.com or cgcdesignstudio.com

### ICC Evaluation Service, LLC

Report Compliance  
For areas under ICC jurisdiction, see ICC-ES Evaluation Report ESR-1222 for allowable values and conditions of use. Reports are subject to reexamination, revision and possible cancellation. Refer to usg.com for most current version.

### LA Research Report - RR 25764

Refer to usg.com for most current version.

### ASTM Load Compliance

Classified as Light, Intermediate or Heavy Duty when tested in accordance with ASTM C635.

### Notes

1. All USG DX™/DXL™ main-tee and cross-tee connections meet IBC requirements for tension and compression strength.
2. Load test data shows uniform load in lb./LF based on simple span tests in accordance with ASTM C635 deflection limit of L/360.
3. UL fire-rated listing, labeling and follow-up applies only to fire-rated components.
4. Color program for imperial only. Consult Customer Service for custom color and metric-tee colors. Upcharges apply to Standard and Advantage colors.
5. Non-fire-rated only.
6. Non-fire-rated applications may mix USG DX® and DXL™ parts.
7. Panels must be specified to be field-cut and field-revealed and to provide widest possible lay-on edge.
8. For USG DXL™, channel moldings are also acceptable in some designs. Check UL Fire Resistance Directory for molding options.
9. Brass and chrome available on limited items.
10. Metric sizes listed are available with standard lead times. Other metric sizes available by RTQ.
11. Non-Fire Rated DX424 offered for West Coast customers only.
12. Galvanized Low Gloss Clear is available in USG Donn® Brand DX® / USG Donn® Brand DXL™ Acoustical Suspension System only.

Manufactured by  
USG Interiors, LLC  
550 West Adams Street  
Chicago, IL 60661

The trademarks USG, CGC, DONN, DX, DXL, ECLIPSE, ECOBLEUPRINT, FIRECODE, LOGIX, QUICK-RELEASE, IT'S YOUR WORLD. BUILD IT., the USG/CGC logo, the design elements and colors, and related marks are trademarks of USG Corporation or its affiliates.

Safety First! Follow good safety/industrial hygiene practices during installation. Wear appropriate personal protective equipment. Read SDS and literature before specification and installation.

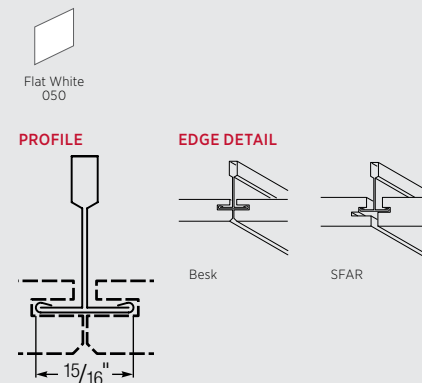


# USG DONN® BRAND DX®/DXL™ CONCEALED ACOUSTICAL SUSPENSION SYSTEM



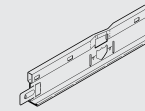
USG Donn® Brand DX®/DXL™ Concealed Acoustical Suspension System/  
USG Radar™ Acoustical Panels

TO ORDER SAMPLES, GO TO USG.COM OR CGCINC.COM

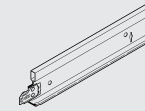


## 15/16" TEE SYSTEM

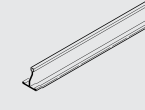
Main Tee



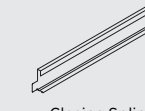
Cross Tee 1-1/2"



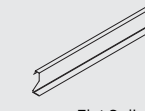
Tee Spline 1"



Access Spline



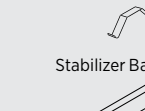
Closing Spline



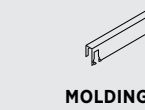
Flat Spline



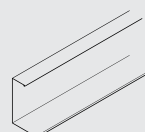
Spring Clip



Stabilizer Bar



MOLDING<sup>3</sup>



## PHYSICAL DATA/ FOOTNOTES

**Notice**  
The information in this document is subject to change without notice. CGC Inc. or USG Corp. assumes no responsibility for any errors that may inadvertently appear in this document.

**AC3035/rev. 6-22**  
© 2022 USG Corporation and/or its affiliates. All rights reserved. Printed in U.S.A.

# USG DONN® BRAND DX®/DXL™ CONCEALED ACOUSTICAL SUSPENSION SYSTEM

ORDER SAMPLES/LITERATURE  
USG: usg.com or samplrit@usg.com  
CGC: contact Sales Representative  
**TECHNICAL SERVICES**  
800 USG.4YOU (874-4968)

FOR MOST UP-TO-DATE  
**TECHNICAL INFORMATION  
AND LEED REPORT TOOL**  
usgdesignstudio.com  
cgcdesignstudio.com



**Declare.** Declare® Labels on select finishes, see usg.com for more details and documentation.

ASTM Class	Length	Height	Item No. <sup>2</sup>	Fire Rating	Rated Load <sup>1</sup>		
					4' Hanger Spacing	5' Hanger Spacing	6' Hanger Spacing
Intermediate Duty	12'	USG 1.64"	DX24	Class A	12 lb./LF	6.1 lb./LF	3.6 lb./LF
			DXL24	Class A			
			CGC 1.5"	DX/DXL24			
Heavy Duty	12'	CGC 1.5"	DX26	Class A	16 lb./LF	7.3 lb./LF	4.9 lb./LF
			USG 1.64"	DXL26			
	4'	USG 1-1/2"	DX424	Class A			
			DXL424	Class A			
			CGC 1-1/2"	DX/DXL424			
	4'	1"	DT416	Class A			
	4'	1"	DE416	Class A			
	4'	1"	DEN416	Class A			
	4'	1-1/2"	BPA 424				
	11'	1"	BPC 116				
	23"	1-1/2"	BPC 234				
	11"	—	E10				
	—	—	C8				
	4'	—	SB48				
Wall Angle	Length	Item No.	Color				
	10'	US28	Flat White				

**Low Emissions (VOC)**  
CDPH 01350 v1.2-2017 compliance on select finishes, see usg.com for more details and documentation.

**Note**  
Either DE416 or DT416 can be used for the same function of supporting the tile. DE416 is a roll-formed uncapped tee spline with the bulb offset to one side of the profile. It is supported on the ends by an integral tab cut from the web. DT416 is a typical suspension tee profile. It is supported on the ends by an extended offset face that rests on perpendicular tee flanges.



**Product literature and samples**  
Data sheet: AC3035  
Sample: 203537  
Installation Guide: AC3335

**Material**  
Min. G30 double-web, hot-dipped galvanized steel body and cap. Baked-on polyester paint.

**Installation**  
Install according to ASTM C636, ASTM E580, CISCA and USG requirements. Alternate installation methods may be used when approved by the authority having jurisdiction.

**Online tools**  
usgdesignstudio.com or cgcdesignstudio.com

**ICC Evaluation Service, LLC Report Compliance**  
For areas under ICC jurisdiction, see ICC-ES Evaluation Report ESR-1222 for allowable values and conditions of use. Reports are subject to reexamination, revision and possible cancellation. Refer to usg.com for most current version.

**LA Research Report - RR 25764**  
Refer to usg.com for most current version.

**ASTM Load Compliance**  
Classified as Light, Intermediate or Heavy Duty when tested in accordance with ASTM C635.

**Notes**  
1. Load test data shows uniform load in lb./LF based on simple span tests in accordance with ASTM C635 deflection limit on L/360.  
2. Some products are available in metric. Call Customer Service for details.  
3. For more information on moldings and complete section detail, see the Perimeter Interface selector.

Manufactured by USG Interiors, LLC 550 West Adams Street Chicago, IL 60661

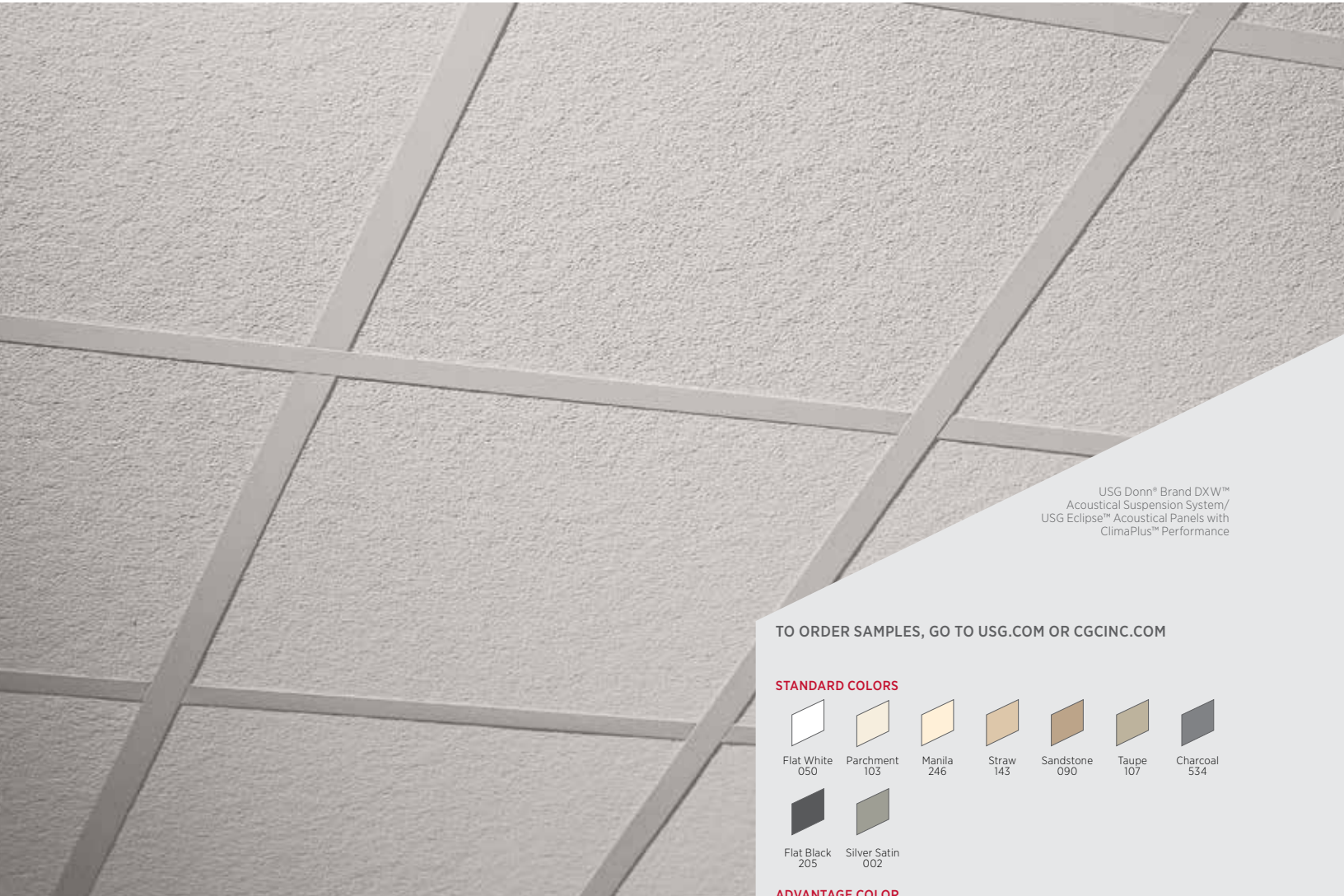
The trademarks USG, CGC, DONN, DX, DXL, FIRECODE, RADAR, IT'S YOUR WORLD. BUILD IT., the USG/CGC logo, the design elements and colors, and related marks are trademarks of USG Corporation or its affiliates.

Safety First! Follow good safety/industrial hygiene practices during installation. Wear appropriate personal protective equipment. Read SDS and literature before specification and installation.





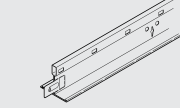
# USG DONN® BRAND DXW™ ACOUSTICAL SUSPENSION SYSTEM



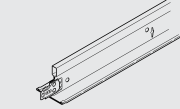
USG Donn® Brand DXW™  
Acoustical Suspension System/  
USG Eclipse™ Acoustical Panels with  
ClimaPlus™ Performance

## 1-1/2" TEE SYSTEM

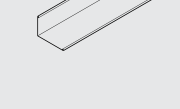
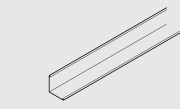
Main Tee



Cross Tee 1-1/2"

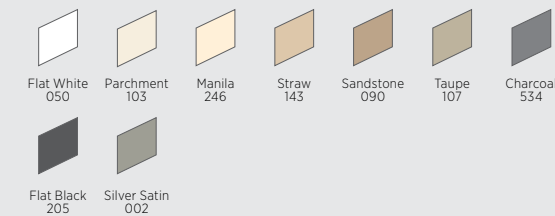


## MOLDING<sup>3,4</sup>



TO ORDER SAMPLES, GO TO USG.COM OR CGCINC.COM

### STANDARD COLORS



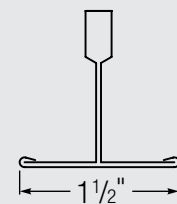
### ADVANTAGE COLOR



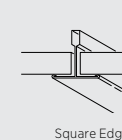
### POWDER-COATED FINISH



### PROFILE



### EDGE DETAIL



Square Edge

## PHYSICAL DATA/ FOOTNOTES

**Notice**  
The information in this document is subject to change without notice. CGC Inc. or USG Corp. assumes no responsibility for any errors that may inadvertently appear in this document.

**AC3037/rev. 6-22**  
© 2022 USG Corporation and/or its affiliates. All rights reserved. Printed in U.S.A.

# USG DONN® BRAND DXW™ ACOUSTICAL SUSPENSION SYSTEM

ORDER SAMPLES/LITERATURE  
USG: usg.com or samplit@usg.com  
CGC: contact Sales Representative  
**TECHNICAL SERVICES**  
800 USG.4YOU (874-4968)

FOR MOST UP-TO-DATE  
**TECHNICAL INFORMATION  
AND LEED REPORT TOOL**  
usgdesignstudio.com  
cgcdesignstudio.com



Declare® Labels on select finishes, see usg.com for more details and documentation.

ASTM Class	Length	Height	Item No.	Fire Rating	Color <sup>2</sup>	Seismic Design Category		Rated Load <sup>1</sup>		
						IBC	ICC-ES Evaluated Installation	4' Hanger Spacing	5' Hanger Spacing	6' Hanger Spacing
Heavy Duty	12'	1-1/2" 38 mm	DXW26 	Class A	Standard	A-F		16 lb./LF	7.3 lb./LF	4.9 lb./LF
	2'	1-1/2" 38 mm	DXW224			—	—	36.7 lb./LF	—	—
	4'	1-1/2" 38 mm	DXW424	Class A	Standard	—	—	13.8 lb./LF	—	—

Wall Angle	Length	Item No.	Color	Wall Angle	Length	Item No.	Color
	12'	M7 	Standard		10' 3000 mm	M20	Flat White
	12'	M12	Standard				

### Low Emissions (VOC)

CDPH 01350 v1.2-2017 compliance on select finishes, see usg.com for more details and documentation.

### High Recycled Content

USG classifies High Recycled Content as greater than 50%. Total recycled content is based on product composition of postconsumer and preconsumer (postindustrial) recycled content per FTC guidelines.

### Product literature and samples

Data sheet: AC3037  
Sample: 219168

### Material

Min. G30 hot-dipped galvanized steel body and cap. Baked-on polyester paint or powder-coated finish.

### Installation

Install according to ASTM C636, ASTM E580, CISCA and USG requirements. Alternate installation methods may be used when approved by the authority having jurisdiction.

### Online tools

usgdesignstudio.com or cgcdesignstudio.com

### LA Research Report - RR 25764

Refer to usg.com for most current version.

### ICC Evaluation Service, LLC Report Compliance

For areas under ICC jurisdiction, see ICC-ES Evaluation Report ESR-1222 for allowable values and conditions of use. Reports are subject to reexamination, revision and possible cancellation. Refer to usg.com for most current version.

### ASTM Load Compliance

Classified as Light, Intermediate or Heavy Duty when tested in accordance with ASTM C635.

### Notes

1. Load test data shows uniform load in lb./LF based on simple span tests in accordance with ASTM C635 deflection limit on L/360.
2. Custom colors available.
3. For more information on moldings, see Perimeter Interface selector.
4. Panels must be field-cut to size at the perimeter.

## FEATURES AND BENEFITS

- 1-1/2" exposed grid system. Design alternative for high-bay areas and large panel modules.
- Cross-tee override-ends resist twisting.
- Complies with all national code requirements.
- Proprietary Quick-Release™ cross tees.
- Custom colors available.
- ICC-ES evaluated for seismic installations (ESR-1222).

## APPLICATIONS

- Interior general-use areas
- High-bay areas
- Large-module ceilings

# USG DONN® BRAND CENTRICITEE™ DXT™/DXLT™ ACOUSTICAL SUSPENSION SYSTEM



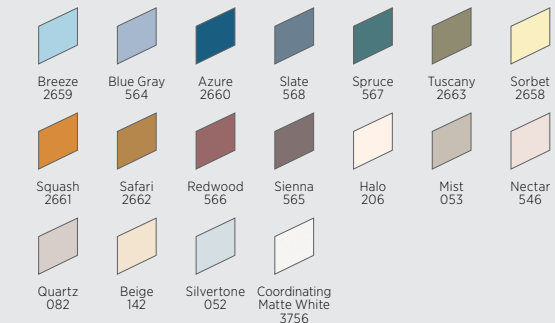
USG Donn® Brand Centricitee™  
DXT™ Acoustical Suspension System/  
USG Eclipse™ Acoustical Panels

TO ORDER SAMPLES, GO TO USG.COM OR CGCINC.COM

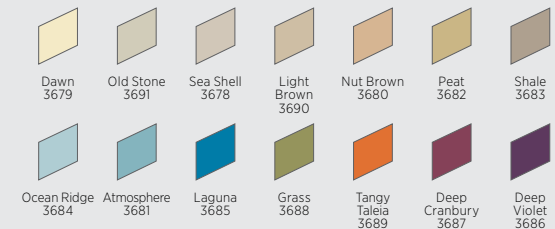
### STANDARD COLORS



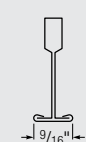
### ADVANTAGE COLORS



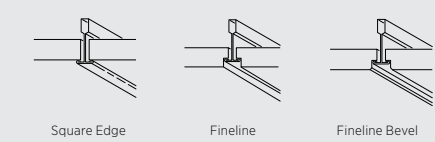
### PREMIUM COLORS



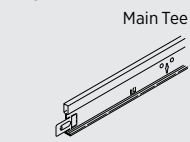
### PROFILE



### EDGE DETAIL



### 9/16" TEE SYSTEM<sup>3</sup>



### Cross Tee 1-1/2"<sup>3</sup>



### MOLDING<sup>2</sup>



### Shadowline

### PHYSICAL DATA/ FOOTNOTES

**Notice**  
The information in this document is subject to change without notice. CGC Inc. or USG Corp. assumes no responsibility for any errors that may inadvertently appear in this document.

**AC3040/rev. 6-22**  
© 2022 USG Corporation and/or its affiliates. All rights reserved. Printed in USA

# USG DONN® BRAND CENTRICITEE™ DXT™/DXLT™ ACOUSTICAL SUSPENSION SYSTEM

ORDER SAMPLES/LITERATURE  
USG: usg.com or sampllit@usg.com  
CGC: contact Sales Representative

FOR MOST UP-TO-DATE  
TECHNICAL INFORMATION  
AND LEED REPORT TOOL  
USG DESIGN STUDIO  
cgcdesignstudio.com



Declare® Labels on select finishes, see usg.com for more details and documentation.

ASTM Class	Length	Height	Item No.	Fire Rating	Color <sup>4</sup>	Seismic Design Category		Rated Load <sup>1</sup>	
						IBC	ICC-ES Evaluated Installation	4' Hanger Spacing	5' Hanger Spacing
Intermediate Duty	10' 3000 mm	1-1/2" 38 mm	DXT24-10	Class A	SC, AC, PC	A, C	7/8" Molding ACM7 Clip	12 lb./LF	6.6 lb./LF
	12' 3600 mm	1-1/2" 38 mm	DXT24	Class A	SC, AC, PC	A, C	7/8" Molding ACM7 Clip	12 lb./LF	6.6 lb./LF
			DXT24HRC	Class A	SC, AC, PC	A, C	7/8" Molding ACM7 Clip	12 lb./LF	6.6 lb./LF
Heavy Duty	12' 3600 mm	1-5/8" 42 mm	DXT26	Class A	SC, AC, PC	A, F	7/8" Molding ACM7 Clip	16 lb./LF	7.3 lb./LF
			DXT26HRC	Class A	SC, AC, PC	A, F	7/8" Molding ACM7 Clip	16 lb./LF	7.3 lb./LF
Intermediate Duty	1'	1-1/2"	DXT122	Class A	SC, AC, PC				
	2' 600 mm	1-1/2" 38 mm	DXT222	Class A	SC, AC, PC				
			DXT222HRC	Class A	SC, AC, PC				
			DXLT222	Class A	SC, AC, PC				
	30"	1-1/2"	DXT3022	Class A	SC, AC, PC				
	4' 1200 mm	1-1/2" 38 mm	DXT422	Class A	SC, AC, PC				
			DXT424	Class A	SC, AC, PC				
			DXT424HRC	Class A	SC, AC, PC				
				DXLT424	Class A	SC, AC, PC			
				DXT426	Class A	SC, AC, PC			
	5'	1-1/2"	DXT524	Class A	SC, AC, PC				
	6'	1-1/2"	DXT624	Class A	SC, AC, PC				
8'	1-1/2"	DXT824	Class A	SC, AC, PC					

### Low Emissions (VOC)

CDPH 01350 v1.2-2017 compliance

### High Recycled Content

USG classifies High Recycled Content as greater than 50%. Total recycled content is based on product composition of postconsumer and preconsumer (postindustrial) recycled content per FTC guidelines.

### Firecode<sup>®</sup>

Wall Angle	Length	Item No.	Color
	12' 3600 mm	M9	Flat White, Standard, Advantage, Premium
		M9HRC	Flat White, Standard, Advantage, Premium
	12' 3600 mm	M7	Flat White, Standard, Advantage, Premium
		M7HRC	Flat White, Standard, Advantage, Premium
	12'	MS125	Flat White, Standard, Advantage, Premium
		MS174	Flat White, Standard, Advantage, Premium
	10'	MS274	Flat White
		2" shelf for seismic	

### Product literature and samples

Data sheet: AC3040, USG Logix™ system guide: IS268  
USG Logix™ architectural design guide: IS287, USG Logix™ critical system dimensions: IS609, Sample: 206564

### Material

Min. G30 hot-dipped galvanized steel body and cap. Baked on polyester paint or powder-coated finish.

### Installation

Install according to ASTM C636, ASTM E580, CISCA and USG requirements. Alternate installation methods may be used when approved by the authority having jurisdiction.

### Online tools

usgdesignstudio.com or cgcdesignstudio.com

### Air diffusers

Refer to: AC272

### Limitations

Refer to specific ceiling panel for limitations with square edge panels. For areas under ICC jurisdiction, see ICC-ES Evaluation Report ESR-1222 for allowable values and conditions of use. Reports are subject to reexamination, revision and possible cancellation. Refer to usg.com for most current version.

### ICC Evaluation Service, LLC Report Compliance

USG Donn® Brand suspension systems manufactured by USG Interiors, LLC have been reviewed and are approved by listing in the following L.A. Research Report number: 25764. Refer to usg.com for most current version.

### LA Research Report - RR 25764

USG Donn® Brand suspension systems manufactured by USG Interiors, LLC have been reviewed and are approved by listing in the following L.A. Research Report number: 25764. Refer to usg.com for most current version.

### ASTM Load Compliance

Classified as Light, Intermediate or Heavy Duty when tested in accordance with ASTM C635.

### Notes

- Load test data shows uniform load in lb./LF based on simple span tests in accordance with ASTM C635 deflection limit on L/360.
- Panels must be specified to be field-cut to size and field-revealed to provide as wide a lay-on edge as possible.
- Metric sizes shown available with standard lead times. Other metric sizes available by RTQ.
- SC = Standard Color, AC=Advantage Color, PC=Premium Color

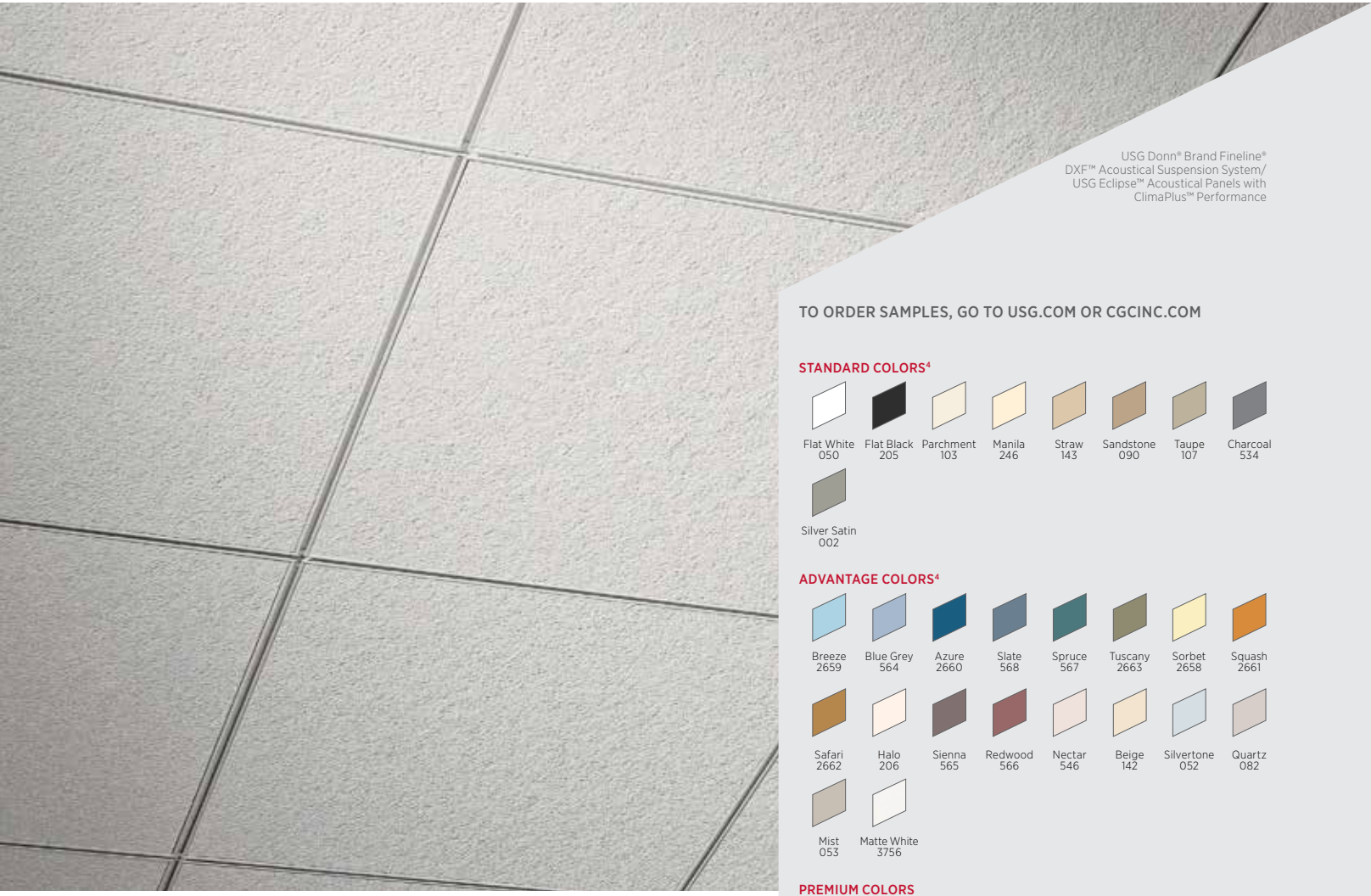
### FEATURES AND BENEFITS

- 9/16" exposed grid provides a clean aesthetic.
- Compatible with USG Logix™ Integrated Ceiling Systems.
- Cross-tee override-ends resist twisting and ensure a finished look.
- Proprietary Quick-Release™ cross tees.
- High recycled content (HRC) available.
- Seismic installation designs validated in ICC-ES Evaluation Report ESR-1222.
- Premium and custom colors available.
- Some items available in metric sizes.
- USG Donn® Brand Centricitee™ DXT™/DXLT™ Acoustical Suspension System is part of the EcoBlueprint™ portfolio — meeting today's sustainability standards. For sustainability documentation go to USG.com or CGCInc.com.

### APPLICATIONS

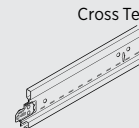
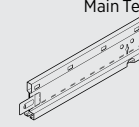
- Interior general-use areas
- Fire-rated interior general-use areas
- USG Logix™ Integrated Ceiling Systems

# USG DONN® BRAND FINELINE® DXF™/DXLF™ ACOUSTICAL SUSPENSION SYSTEM



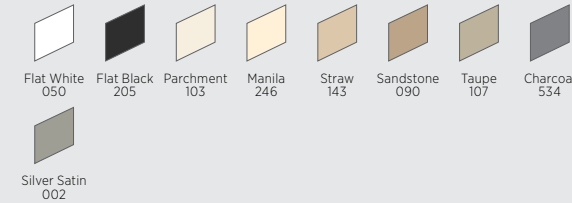
USG Donn® Brand Fineline® DXF™ Acoustical Suspension System/USG Eclipse™ Acoustical Panels with ClimaPlus™ Performance

9/16" TEE SYSTEM<sup>13</sup>

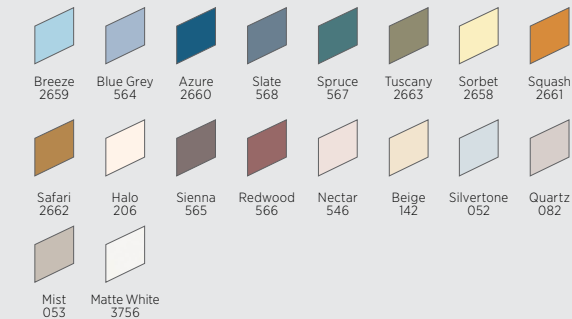


TO ORDER SAMPLES, GO TO USG.COM OR CGCINC.COM

### STANDARD COLORS<sup>4</sup>



### ADVANTAGE COLORS<sup>4</sup>



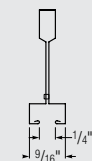
### PREMIUM COLORS



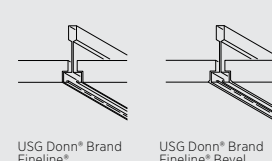
### POWDER-COATED FINISH



### PROFILE



### EDGE DETAIL



### FEATURES AND BENEFITS

- Narrow-profile, slotted grid system with 1/4" reveal provides streamlined appearance.
- Reveal accommodates partition attachments and pendant-mounted light fixtures.
- Mitered intersections offer a clean, tailored appearance.
- Complies with all national code requirements, including fire-rated assemblies up to one hour.
- Optional integrated air diffuser.
- Accepts USG Celebration™ Snap-In Ceiling Panels for ceiling-area accents without changing grid system.
- Custom colors available.
- High recycled content (HRC) available.
- ICC-ES evaluated for seismic installations (ESR-1222).
- USG Donn® Brand Fineline® DXF™/DXLF™ Acoustical Suspension System is part of the Ecoblueprint™ portfolio – meeting today's sustainability standards. For sustainability documentation go to USG.com or CGCInc.com.

### APPLICATIONS

- All interior general-use areas
- Fire-rated interior general-use areas

# USG DONN® BRAND FINELINE® DXF™/DXLF™ ACOUSTICAL SUSPENSION SYSTEM

ORDER SAMPLES/LITERATURE  
USG: usg.com or samplit@usg.com  
CGC: contact Sales Representative

TECHNICAL SERVICES  
800 USG.4YOU (874-4968)

FOR MOST UP-TO-DATE  
TECHNICAL INFORMATION  
AND LEED REPORT TOOL  
usgdesignstudio.com  
cgcdesignstudio.com

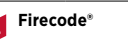


Declare® Labels on select finishes, see usg.com for more details and documentation.

ASTM Class	Length	Height	Item No. <sup>3,6</sup>	Fire Rating	Seismic Design Category		Rated Load <sup>1,2</sup>						
					IBC	ICC-ES Evaluated Installation	4' Hanger Spacing	5' Hanger Spacing	6' Hanger Spacing				
Intermediate Duty	10'	1-25/32" 45 mm	DXF2924-10	Class A	A-C	7/8" Molding ACM7 Clip	12 lb./LF	6.6 lb./LF	3.6 lb./LF				
			DXF2930 <sup>11</sup>	Class A	A-C	7/8" Molding ACM7 Clip							
			DXF2920 <sup>2</sup>	Class A	A-C	7/8" Molding ACM7 Clip							
	12' 3600 mm	1-25/32" 45 mm	DXF2924 <sup>5</sup>	Class A	A-C	7/8" Molding ACM7 Clip	12 lb./LF	6.6 lb./LF	3.6 lb./LF				
			DXF2924HRC <sup>5</sup>	Class A	A-C	7/8" Molding ACM7 Clip							
			DXLF2924 <sup>5</sup>	Class A	A-C	7/8" Molding ACM7 Clip							
Heavy Duty	12' 3600 mm	1-25/32" 45 mm	DXFH2924 <sup>5</sup>	Class A	A-F	7/8" Molding ACM7 Clip	16 lb./LF	7.3 lb./LF	4.9 lb./LF				
			1'	1-25/32" 45 mm	DXF129	Class A							
					DXF229	Class A							
	DXF229HRC	Class A											
	DXLF229	Class A											
	DXF30	Class A											
	DXF429	Class A											
	2' 600 mm	1-25/32" 45 mm	DXF429HRC	Class A									
			DXF429S <sup>8</sup>	Class A									
			DXF429N <sup>7</sup>	Class A									
	30"	1-25/32" 45 mm	DXLF429N <sup>7</sup>	Class A									
			DXF57	Class A									
DXF529N <sup>7</sup>			Class A										
4' 1200 mm	1-25/32" 45 mm	DXF629	Class A										
		DXF829	Class A										
		DXF629	Class A										
4' 1200 mm	1-25/32" 45 mm	DXF57	Class A										
		DXF529N <sup>7</sup>	Class A										
		DXF629	Class A										
57"	1-25/32" 45 mm	DXF57	Class A										
		DXF529N <sup>7</sup>	Class A										
		DXF629	Class A										
5' 1500 mm	1-25/32" 45 mm	DXF629	Class A										
		DXF829	Class A										
		DXF629	Class A										
6'	1-25/32" 45 mm	DXF629	Class A										
		DXF829	Class A										
		DXF629	Class A										
8'	1-25/32" 45 mm	DXF629	Class A										
		DXF829	Class A										
		DXF629	Class A										

**Low Emissions (VOC)**  
CDPH 01350 v1.2-2017 compliance on select finishes, see usg.com for more details and documentation.

**High Recycled Content**  
USG classifies High Recycled Content as greater than 50%. Total recycled content is based on product composition of postconsumer and preconsumer (postindustrial) recycled content per FTC guidelines.



# USG DONN® BRAND FINELINE® DXF™/DXLF™ ACOUSTICAL SUSPENSION SYSTEM

ORDER SAMPLES/LITERATURE  
USG: usg.com or samplit@usg.com  
CGC: contact Sales Representative

TECHNICAL SERVICES  
800 USG.4YOU (874-4968)

FOR MOST UP-TO-DATE  
TECHNICAL INFORMATION  
AND LEED REPORT TOOL  
usgdesignstudio.com  
cgcdesignstudio.com



Declare® Labels on select finishes, see usg.com for more details and documentation.

# USG DONN® BRAND FINELINE® DXF™/DXLF™ ACOUSTICAL SUSPENSION SYSTEM

ORDER SAMPLES/LITERATURE  
USG: usg.com or samplit@usg.com  
CGC: contact Sales Representative

TECHNICAL SERVICES  
800 USG.4YOU (874-4968)

FOR MOST UP-TO-DATE  
TECHNICAL INFORMATION  
AND LEED REPORT TOOL  
usgdesignstudio.com  
cgcdesignstudio.com

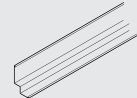


Declare® Labels on select finishes, see usg.com for more details and documentation.

## MOLDING<sup>9,10,13</sup>



## Shadowline<sup>9,10</sup>



Wall Angle	Length	Item No.	Color
	12' 3600 mm	M9 	Flat White, Standard, Advantage, Premium
		M9 HRC 	Flat White, Standard, Advantage, Premium
	12' 3600 mm	M7 	Flat White, Standard, Advantage, Premium
		M7 HRC 	Flat White, Standard, Advantage, Premium
	12'	MS174 	Flat White, Standard, Advantage, Premium
		MS274 	Flat White, Standard, Advantage, Premium
	12'		2" shelf for seismic

**Low Emissions (VOC)**  
CDPH 01350 v1.2-2017 compliance on select finishes, see usg.com for more details and documentation.

**High Recycled Content**  
USG classifies High Recycled Content as greater than 50%. Total recycled content is based on product composition of postconsumer and preconsumer (postindustrial) recycled content per FTC guidelines.

## PHYSICAL DATA/ FOOTNOTES

### Product literature and samples

Data sheet: AC3034  
Technical data: AC272  
Sample: Z04105

### Installation

Install according to ASTM C636, ASTM E580, CISCA and USG requirements. Alternate installation methods may be used when approved by the authority having jurisdiction.

### Limitations

For exposed grids in non-fire-rated, high-humidity applications, use USG Donn® Brand Fineline® DXFEV™ G90 painted or USG Donn® Brand ZXLA™ painted suspension systems. For exterior applications, the suspension system should be reviewed by a structural engineer. Please refer to SC2561 for more information about USG Donn® Brand Fineline® DXFEV™ and exterior ceiling applications.

### Online tools

usgdesignstudio.com or cgcdesignstudio.com

### Material

Min. G30 hot-dipped galvanized steel body. Baked-on polyester paint.

### ICC Evaluation Service, LLC Report Compliance

For areas under ICC jurisdiction, see ICC-ES Evaluation Report ESR-1222 for allowable values and conditions of use. Reports are subject to reexamination, revision and possible cancellation. Refer to usg.com for most current version.

### LA Research Report - RR 25764

Refer to usg.com for most current version.

### ASTM Load Compliance

Classified as Light, Intermediate or Heavy Duty when tested in accordance with ASTM C635.

### Air Diffusers

Refer to AC272.

### Notes

- Hanger wire spacing and locations must be per the UL design.
- Load test data shows uniform load in lb./LF based on simple span tests in accordance with ASTM C635 deflection limit on L/360.
- Some products are available in metric. Call Customer Service for details.
- Custom color available.
- Standard main tee is notched 24" o.c. but has cross-tee holes 12" o.c.
- Cross-tee hole spacings available for a variety of modules except USG Donn® Brand Fineline® DXLF™.
- N = Notch at midpoint.
- S = Midpoint notch on one side only to accommodate light fixture.
- For more information about moldings, see Perimeter Interface selector.
- Panels must be field-cut to size at the perimeter.
- Notched 30" o.c.
- Notched 20" o.c.
- Metric sizes listed available with standard lead times. Other metric sizes available by RTQ.

### Notice

The information in this document is subject to change without notice. CGC Inc. or USG Corp. assumes no responsibility for any errors that may inadvertently appear in this document.

AC3034/rev. 6-22  
© 2022 USG Corporation and/or its affiliates. All rights reserved. Printed in U.S.A.

Manufactured by USG Interiors, LLC  
550 West Adams Street  
Chicago, IL 60661

The trademarks USG, CGC, CELEBRATION, CLIMAPLUS, DONN, DXF, DXFEV, DXLF, ECLIPSE, ECOBLUEPRINT, FINELINE, FIRECODE, LOGIX, ZXLA, IT'S YOUR WORLD. BUILD IT, the USG/CGC logo, the design elements and colors, and related marks are trademarks of USG Corporation or its affiliates.

Safety First! Follow good safety/industrial hygiene practices during installation. Wear appropriate personal protective equipment. Read SDS and literature before specification and installation.

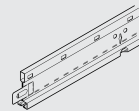


# USG DONN® BRAND FINELINE® 1/8 DXFF™ ACOUSTICAL SUSPENSION SYSTEM

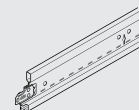


USG Donn® Brand Fineline® 1/8" DXFF™ Acoustical Suspension System/USG Eclipse™ Acoustical Panels with ClimPlus™ Performance

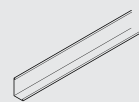
9/16" TEE SYSTEM<sup>1</sup>  
Main Tee<sup>3</sup>



Cross Tee



MOLDING<sup>7</sup>



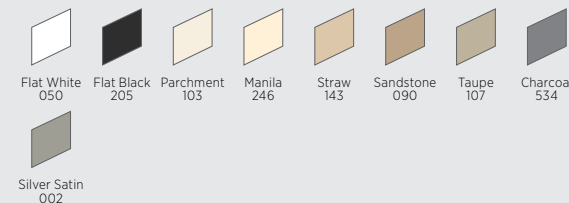
PHYSICAL DATA/  
FOOTNOTES

**Notice**  
The information in this document is subject to change without notice. CGC Inc. or USG Corp. assumes no responsibility for any errors that may inadvertently appear in this document.

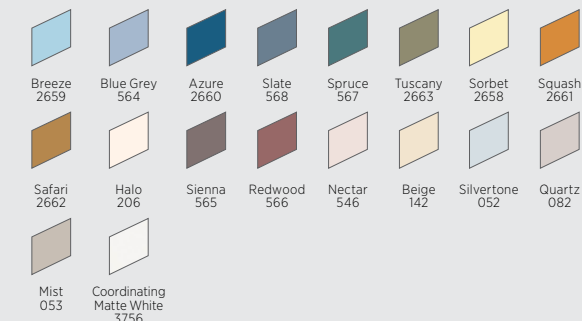
AC3033/rev. 6-22  
© 2022 USG Corporation and/or its affiliates. All rights reserved. Printed in U.S.A.

TO ORDER SAMPLES, GO TO USG.COM OR CGCINC.COM

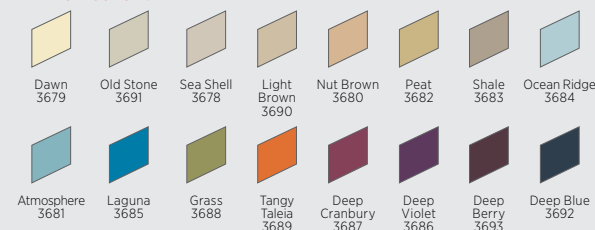
**STANDARD COLORS<sup>2</sup>**



**ADVANTAGE COLORS<sup>2</sup>**



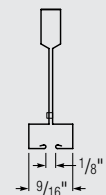
**PREMIUM COLORS**



**POWDER-COATED FINISH**



**PROFILE**



**EDGE DETAIL**



USG Donn® Brand Fineline®

USG Donn® Brand Fineline® Bevel

**FEATURES AND BENEFITS**

- Narrow-profile, slotted grid system with 1/8" reveal provides streamlined appearance.
- Reveal accommodates partition attachments and pendant-mounted light fixtures.
- Mitered intersections offer a clean, tailored appearance.
- Complies with all national code requirements.
- Optional integrated air diffuser.
- Custom colors available.
- ICC-ES evaluated for seismic installations (ESR-1222).
- Standard components available in Imperial and Metric sizes.
- USG Donn® Brand Fineline® 1/8 DXFF Acoustical Suspension System is part of the Ecoblueprint™ portfolio – meeting today's sustainability standards. For sustainability documentation go to USG.com or CGCInc.com.

**APPLICATIONS**

- All interior general-use areas

# USG DONN® BRAND FINELINE® 1/8 DXFF™ ACOUSTICAL SUSPENSION SYSTEM

ORDER SAMPLES/LITERATURE  
USG: usg.com or samplit@usg.com  
CGC: contact Sales Representative

FOR MOST UP-TO-DATE  
TECHNICAL INFORMATION  
AND LEED REPORT TOOL  
usgdesignstudio.com  
cgcdesignstudio.com



Declare® Labels on select finishes, see usg.com for more details and documentation.

ASTM Class	Length	Height	Item No.	Fire Rating	Seismic Design Category		Rated Load <sup>1</sup>		
					IBC	ICC-ES Evaluated Installation	4' Hanger Spacing	5' Hanger Spacing	6' Hanger Spacing
Intermediate Duty	10'	1-25/32" 45 mm	DXFF2930 	Class A	A-C	7/8" Molding ACM7 Clip	12 lb./LF	6.5 lb./LF	3.6 lb./LF
	12'	1-25/32" 45 mm	DXFF2924 DXFF2948 	Class A	A-C	7/8" Molding ACM7 Clip	12 lb./LF	6.5 lb./LF	3.6 lb./LF
	3600 mm	45 mm	MEDXFF3600 	Class A	A-C	22 mm (7/8") Molding ACM7 Clip	12 lb./LF	6.5 lb./LF	3.6 lb./LF
Heavy Duty	12'	1-25/32" 42 mm	DXFFH2924 	Class A	A-F	7/8" Molding ACM7 Clip	16 lb./LF	8.3 lb./LF	4.9 lb./LF
	3600 mm	45 mm	MEDXFFH3600 	Class A	A-F	22 mm (7/8") Molding ACM7 Clip	16 lb./LF	8.3 lb./LF	4.9 lb./LF
	1'	1-25/32"	DXFF129 	Class A					
	2'	1-25/32"	DXFF229 	Class A					
	30"	1-25/32"	DXFF30 	Class A					
	4'	1-25/32"	DXFF429 DXFF429N <sup>4</sup> DXFF429S <sup>5</sup> 	Class A					
	5'	1-25/32"	DXFF529 DXFF529N <sup>4</sup> 	Class A					
	1200 mm	45 mm	MEDXFF1200 MEDXFF1200N <sup>4</sup> MEDXFF1200S <sup>5</sup> 	Class A					
	600 mm	45 mm	MEDXFF600 	Class A					

**Low Emissions (VOC)**  
CDPH 01350 v1.2-2017 compliance on select finishes, see usg.com for more details and documentation.

**High Recycled Content**  
USG classifies High Recycled Content as greater than 50%. Total recycled content is based on product composition of postconsumer and preconsumer (postindustrial) recycled content per FTC guidelines.

Wall Angle	Length	Item No.	Wall Angle	Length	Item No.
	12' 3600 mm	M9 	Shadowline 	12' 3600 mm	MS174
	12' 3600 mm	M7 			

**Product literature and samples**  
Data sheet: AC3033  
Sample: 270308

**Material**  
Min. G30 hot-dipped galvanized steel tee. Baked-on polyester paint.

**Installation**  
Install according to ASTM C636, ASTM E580, CISCA and USG requirements. Alternate installation methods may be used when approved by the authority having jurisdiction.

**LA Research Report - RR 25764**  
Refer to usg.com for most current version.

**Online tools**  
usgdesignstudio.com or cgcdesignstudio.com

**ICC Evaluation Service, LLC Report Compliance**  
For areas under ICC jurisdiction, see ICC-ES Evaluation Report ESR-1222 for allowable values and conditions of use. Reports are subject to reexamination, revision and possible cancellation. Refer to usg.com for most current version.

**ASTM Load Compliance**  
Classified as Light, Intermediate or Heavy Duty when tested in accordance with ASTM C635.

**Air diffusers**  
Request AC272.

**Notes**  
1. Load test data shows uniform load in lb./LF based on simple span tests in accordance with ASTM C635 deflection limit on L/360.  
2. Custom color available.  
3. Cross-tee notches available in 24" and 30" modules. Standard is 24" o.c.  
4. N = Notch at midpoint.  
5. Midpoint notch on one side only to accommodate light fixtures.  
6. Panels must be field-cut to size at the perimeter.  
7. Metric sizes listed available with standard lead times. Other metric sizes available by RTQ.

Manufactured by USG Interiors, LLC 550 West Adams Street Chicago, IL 60661

The trademarks USG, CGC, CLIMAPLUS, DONN, DXFF, ECLIPSE, ECOBLEUPRINT, FINELINE, IT'S YOUR WORLD. BUILD IT., the USG/CGC logo, the design elements and colors, and related marks are trademarks of USG Corporation or its affiliates.

Safety First! Follow good safety/industrial hygiene practices during installation. Wear appropriate personal protective equipment. Read SDS and literature before specification and installation.

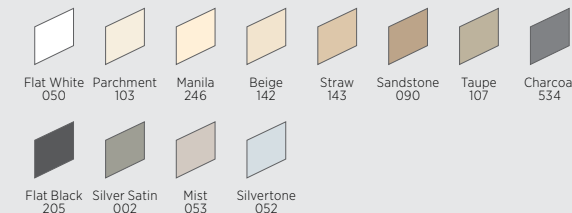


# USG DONN® BRAND IDENTITEE® DXI™ ACOUSTICAL SUSPENSION SYSTEM

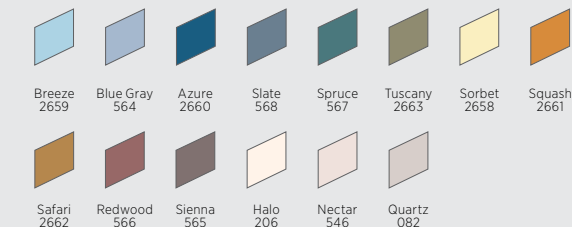
USG Donn® Brand Identitee® DXI™  
Acoustical Suspension System/USG  
Halcyon™ Acoustical Panels

TO ORDER SAMPLES, GO TO [USG.COM](http://USG.COM) OR [CGCINC.COM](http://CGCINC.COM)

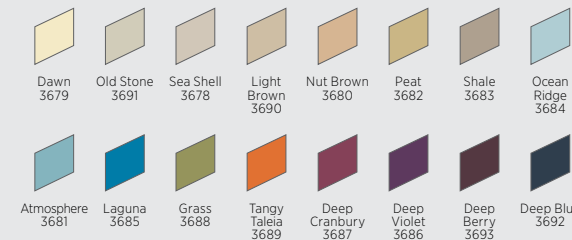
### STANDARD COLORS¹



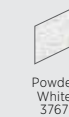
### ADVANTAGE COLORS¹



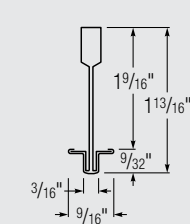
### PREMIUM COLORS



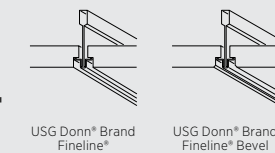
### POWDER-COATED FINISH



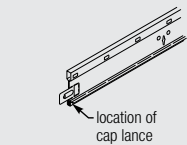
### PROFILE



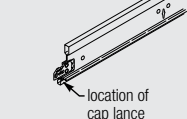
### EDGE DETAIL



### 9/16" TEE SYSTEM®



### Cross Tee



## USG DONN® BRAND IDENTITEE® DXI™ ACOUSTICAL SUSPENSION SYSTEM



Declare® Labels on select finishes, see [usg.com](http://usg.com) for more details and documentation.

ORDER SAMPLES/LITERATURE  
USG: [usg.com](mailto:usg.com) or [sampllit@usg.com](mailto:sampllit@usg.com)  
CGC: [contact@salesrepresentative.com](mailto:contact@salesrepresentative.com)

FOR MOST UP-TO-DATE  
TECHNICAL INFORMATION  
AND LEED REPORT TOOL  
[usgdesignstudio.com](http://usgdesignstudio.com)  
[cgcdesignstudio.com](http://cgcdesignstudio.com)

ASTM Class	Length	Height	Item No.	Fire Rating	Seismic Design Category		Rated Load <sup>2,4</sup>		
					IBC	ICC-ES Evaluated Installation	4' Hanger Spacing	5' Hanger Spacing	6' Hanger Spacing
Intermediate Duty	12' 3600 mm	1-13/16" 46.5 mm	DXI24HRC	Class A	A-C	7/8" Molding ACM7 Clip	12 lb./LF	7.3 lb./LF	4.2 lb./LF
Heavy Duty	12' 3600 mm	1-13/16" 46.5 mm	DXI26HRC	Class A	A-F	7/8" Molding ACM7 Clip	16 lb./LF	9.1 lb./LF	5.2 lb./LF
Heavy Duty	USG Logix™	1-13/16" 46.5 mm	See USG Logix™ Guide IS268	Class A	A-F	7/8" Molding ACM7 Clip	16 lb./LF	9.1 lb./LF	5.2 lb./LF
—	21"	1-13/16" 46.5 mm	DXI2124	Class A	—	—	—	—	—
—	27"	1-13/16" 46.5 mm	DXI2724	Class A	—	—	—	—	—
—	30"	1-13/16" 46.5 mm	DXI3024	Class A	—	—	—	—	—
—	42"	1-13/16" 46.5 mm	DXI4224	Class A	—	—	—	—	—
—	54"	1-13/16" 46.5 mm	DXI5424	Class A	—	—	—	—	—
—	57"	1-13/16" 46.5 mm	DXI5724	Class A	—	—	—	—	—
—	1'	1-13/16" 46.5 mm	DXI124	Class A	—	—	—	—	—
—	2' 600 mm	1-13/16" 46.5 mm	DXI224HRC	Class A	—	—	—	—	—
—	4' 1200 mm	1-13/16" 46.5 mm	DXI424HRC	Class A	—	—	—	—	—
—	5' 1500 mm	1-13/16" 46.5 mm	DXI524HRC	Class A	—	—	—	—	—
—	6'	1-13/16" 46.5 mm	DXI624	Class A	—	—	—	—	—
—	8'	1-13/16" 46.5 mm	DXI 824	Class A	—	—	—	—	—
—	USG Logix™	1-13/16" 46.5 mm	See USG Logix™ Guide IS268	Class A	—	—	—	—	—

**Low Emissions (VOC)**  
CDPH 01350 v1.2-2017 compliance on select finishes, see [usg.com](http://usg.com) for more details and documentation.

**High Recycled Content**  
USG classifies High Recycled Content as greater than 50%. Total recycled content is based on product composition of postconsumer and preconsumer (postindustrial) recycled content per FTC guidelines.

### FEATURES AND BENEFITS

- Narrow-profile grid system with double 1/8" reveal.
- Seamless reveal at intersections.
- Meets or exceeds all national code requirements including seismic.
- Compatible with USG Logix™ Integrated System.
- Custom colors available.
- ICC-ES evaluated for seismic installations (ESR-1222).
- G30 hot-dipped galvanized steel body and cap inhibits red rust.
- All USG Donn® Brand Identitee® DXI™ items have High Recycled Content (HRC).
- Metric sizes available.
- Proprietary cap lance allows a variety of color and coating options to meet unique project requirements.
- USG Donn® Brand Identitee® DXI™ Suspension System is part of the Ecoblueprint™ portfolio – meeting today's sustainability standards. For sustainability documentation go to [USG.com](http://USG.com) or [CGCinc.com](http://CGCinc.com).

### APPLICATIONS

- All interior general-use areas
- USG Logix™ Integrated System

# USG DONN® BRAND IDENTITEE® DXI™ ACOUSTICAL SUSPENSION SYSTEM

**ORDER SAMPLES/LITERATURE**  
USG: usg.com or samplit@usg.com  
CGC: contact Sales Representative

**TECHNICAL SERVICES**  
800 USG.4YOU (874-4968)

**FOR MOST UP-TO-DATE  
TECHNICAL INFORMATION  
AND LEED REPORT TOOL**  
usgdesignstudio.com  
cgcdesignstudio.com



Declare® Labels on select finishes, see usg.com for more details and documentation.

# USG DONN® BRAND IDENTITEE® DXI™ ACOUSTICAL SUSPENSION SYSTEM

**ORDER SAMPLES/LITERATURE**  
USG: usg.com or samplit@usg.com  
CGC: contact Sales Representative

**TECHNICAL SERVICES**  
800 USG.4YOU (874-4968)

**FOR MOST UP-TO-DATE  
TECHNICAL INFORMATION  
AND LEED REPORT TOOL**  
usgdesignstudio.com  
cgcdesignstudio.com



Declare® Labels on select finishes, see usg.com for more details and documentation.

Wall Angle	Length	Item No.	Color
	12' 3600 mm	M9	Flat White Standard Advantage Premium
		M9HRC 	Flat White Standard Advantage Premium
	12' 3600 mm	M7	Flat White Standard Advantage Premium
		M7HRC 	Flat White Standard Advantage Premium
	12'	MS125	Flat White Standard Advantage Premium
		MS174	Flat White Standard Advantage Premium
	12'	MS174	Flat White Standard Advantage Premium
		MS174HRC 	Flat White Standard Advantage Premium
	—	TFS-5 <sup>6</sup>	—
	—	TFS-5 DXI FC <sup>7</sup>	—

**Low Emissions (VOC)**  
CDPH 01350 v1.2-2017 compliance on select finishes, see usg.com for more details and documentation.

**High Recycled Content**  
USG classifies High Recycled Content as greater than 50%. Total recycled content is based on product composition of postconsumer and preconsumer (postindustrial) recycled content per FTC guidelines.

## PHYSICAL DATA/ FOOTNOTES

**Product literature and samples**  
Data sheet: AC3281  
USG Logix™ system guide: IS268  
USG Logix™ architectural design guide: IS287  
Sample: Z16276

**Material**  
G30 hot-dipped galvanized steel body and cap. Baked-on polyester paint.

**Installation**  
Install according to ASTM C636, ASTM E580, CISCA and USG requirements. Alternate installation methods may be used when approved by the authority having jurisdiction.

**Online tools**  
usgdesignstudio.com or cgcdesignstudio.com

**ICC Evaluation Service, LLC Report Compliance**  
For areas under ICC jurisdiction, see ICC-ES Evaluation Report ESR-1222 for allowable values and conditions of use. Reports are subject to reexamination, revision and possible cancellation. Refer to usg.com for most current version.

**Limitations**  
Please refer to USG Donn® Brand AX™ or ZXLA™ for exposed suspension systems in non-fire-rated, high-humidity applications. Interior applications only. Please refer to SC2561 for more information about exterior ceiling applications.

**LA Research Report - RR 25764**  
Refer to usg.com for most current version. ASTM Load Compliance

Classified as Light, Intermediate or Heavy Duty when tested in accordance with ASTM C635.

**Air diffusers**  
Request AC272-290.

**Additional accessories**  
1. Load transfer bracket—use DXI/DXT26LTB.

2. Partition attachment—use UPAC.  
3. Lift fixture clip—use LFC.

**Notes**  
1. Custom color available. Upcharges apply to Standard and Advantage colors.  
2. Load test data shows uniform load in lb./LF based on simple span tests in accordance with ASTM C635 deflection limit of L/360.  
3. Available in metric.  
4. Hanger wire spacing and location must be per the UL design.  
5. Panels must be field-cut to size at the perimeter.  
6. For seismic expansion joints.  
7. For off-module intersections.  
8. Metric items listed available with standard lead times. Other metric items available by RTQ.

**Notice**  
The information in this document is subject to change without notice. CGC Inc. or USG Corp. assumes no responsibility for any errors that may inadvertently appear in this document.

**AC3281/rev. 6-22**  
© 2022 USG Corporation and/or its affiliates. All rights reserved. Printed in U.S.A.

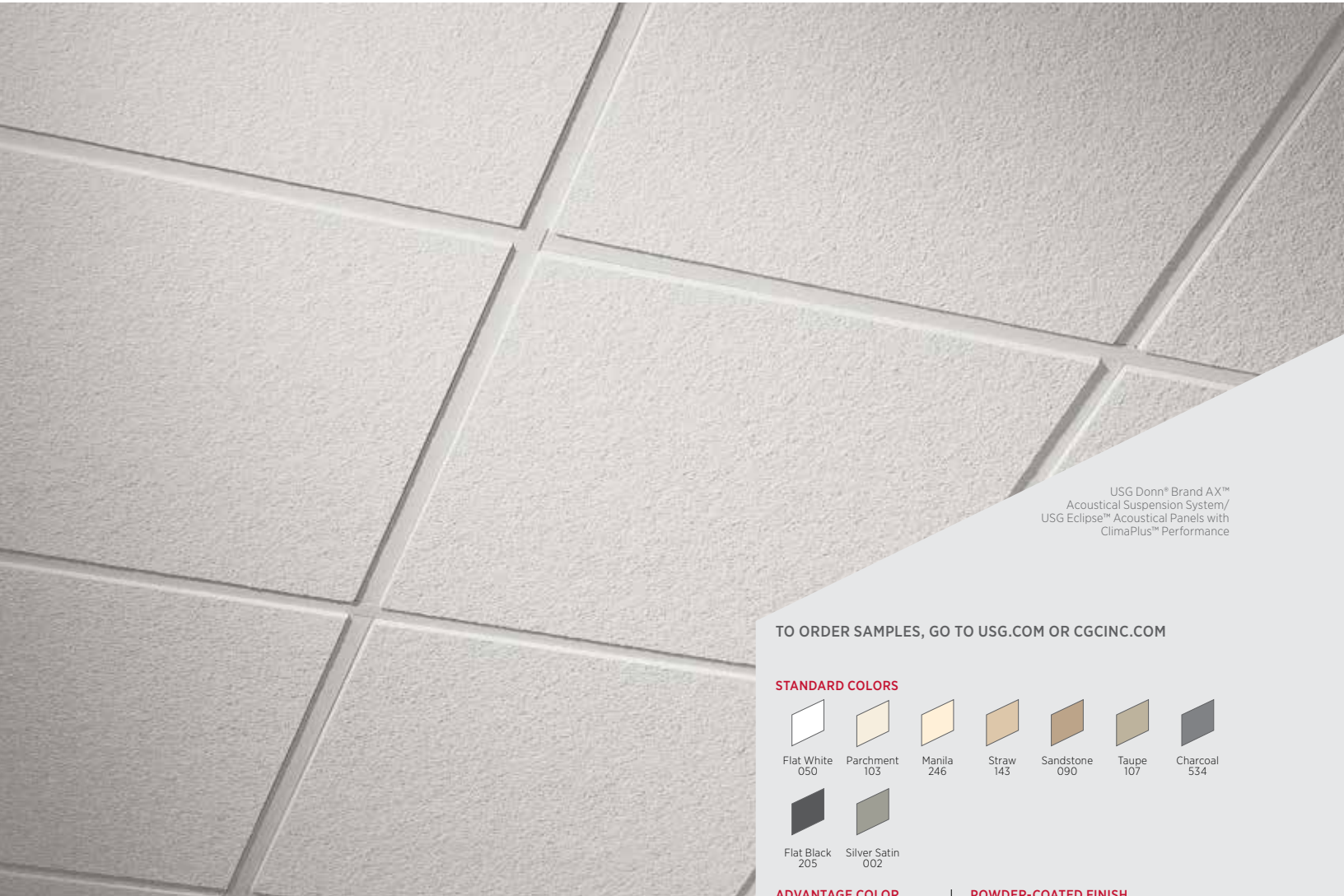
Manufactured by  
USG Interiors, LLC  
550 West Adams Street  
Chicago, IL 60661

The trademarks USG, CGC, AX, DONN, DXI, FINELINE, HALCYON, IDENTITEE, LOGIX, ZXLA, IT'S YOUR WORLD. BUILD IT, the USG/CGC logo, the design elements and colors, and related marks are trademarks of USG Corporation or its affiliates.

Safety First! Follow good safety/industrial hygiene practices during installation. Wear appropriate personal protective equipment. Read SDS and literature before specification and installation.



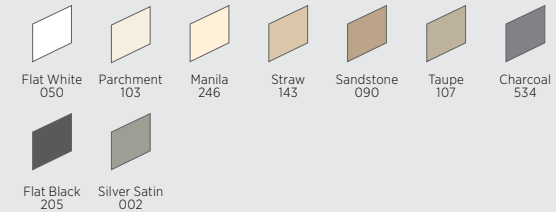
# USG DONN® BRAND AX™/AXCE™ ACOUSTICAL SUSPENSION SYSTEM



USG Donn® Brand AX™  
Acoustical Suspension System/  
USG Eclipse™ Acoustical Panels with  
ClimaPlus™ Performance

TO ORDER SAMPLES, GO TO USG.COM OR CGCINC.COM

### STANDARD COLORS



### ADVANTAGE COLOR



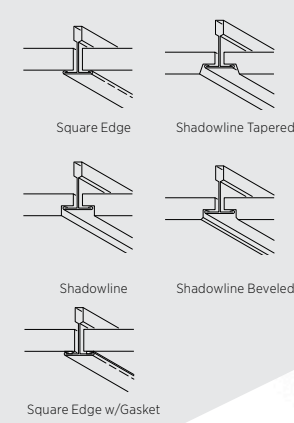
### POWDER-COATED FINISH



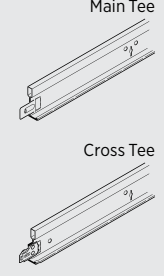
### PROFILE



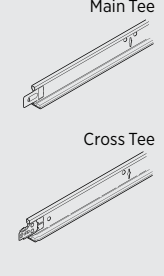
### EDGE DETAIL



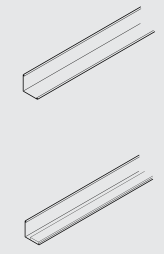
### USG DONN® BRAND AX™ 15/16" TEE SYSTEM\*



### USG DONN® BRAND AXCE™ 15/16" TEE SYSTEM\*



### MOLDING<sup>2,3,4</sup>



### PHYSICAL DATA/ FOOTNOTES

**Notice**  
The information in this document is subject to change without notice. CGC Inc. or USG Corp. assumes no responsibility for any errors that may inadvertently appear in this document.

**AC3041/rev. 6-22**  
© 2022 USG Corporation and/or its affiliates. All rights reserved. Printed in U.S.A.

## USG DONN® BRAND AX™/AXCE™ ACOUSTICAL SUSPENSION SYSTEM



ORDER SAMPLES/LITERATURE  
USG: usg.com or sampllit@usg.com  
CGC: contact Sales Representative

FOR MOST UP-TO-DATE  
TECHNICAL INFORMATION  
AND LEED REPORT TOOL  
usgdesignstudio.com  
cgcdesignstudio.com

ASTM Class	Length	Height	Item No.	Fire Rating	Color	Recycled Content	Rated Load <sup>1</sup>		
							2' Hanger Spacing	30" Hanger Spacing	4' Hanger Spacing
Light Duty	12'	1-1/2" 38 mm	AX26	Class A	Flat White	HRC	49 lb./LF	28 lb./LF	7 lb./LF
	2'	1-1/2" 38 mm	AX224	Class A	Flat White	HRC			
	4'	1-1/2" 38 mm	AX424	Class A	Flat White	HRC			
Light Duty	12'	1-1/2" 38 mm	AXCE26	Class A	Flat White	HRC	49 lb./LF	28 lb./LF	7 lb./LF
	2'	1-1/2" 38 mm	AXCE224	Class A	Flat White	HRC			
	4'	1-1/2" 38 mm	AXCE424	Class A	Flat White	HRC			

Wall Angle	Length	Item No.	Color	Recycled Content	Perimeter Channel	Length	Item No.	Color	Recycled Content
	12'	M7A	Flat White	up to 65% HRC		10'	UA25	Flat White	up to 65% HRC
	12'	M7ACE	Flat White	up to 65% HRC		10'	UA25CE	Flat White	up to 65% HRC

**Low Emissions (VOC)**  
CDPH 01350 v1.2-2017 compliance on select finishes, see usg.com for more details and documentation.

**High Recycled Content**  
USG classifies High Recycled Content as greater than 50%. Total recycled content is based on product composition of postconsumer and preconsumer (postindustrial) recycled content per FTC guidelines.

### Product literature and samples

Data sheet: AC3041  
USG Donn® Brand AX™ sample: 272638  
USG Donn® Brand AXCE™ sample: 216857

### Product information

See usg.com for the most up-to-date product information.

### Material

Double-web aluminum tee with aluminum cap and stainless steel Quick-Release™ clip. Baked-on polyester paint.

### Installation

Install according to ASTM C636, ASTM E580, CISCA and USG requirements. Alternate installation methods may be used when approved by the authority having jurisdiction.

### Online tools

usgdesignstudio.com or cgcdesignstudio.com

### Limitations

Non-fire-rated applications only. Finish is not UV-resistant; should not be installed where direct exposure to sun or weather will occur, such as fascias or facades. Indirect exposure to severe environmental conditions may shorten the lifespan of the product. The gasket face applied to USG Donn® Brand AXCE™ contains a protective strip that must be removed prior to panel installation. The standard gasket is not recommended for installations with metal panels. If metal panels are desired, a special gasket suitable for metal panels may be applied to the USG Donn® Brand DXACE™ suspension system through special order.

### Clean Room Installation

Must be installed in compliance with ASTM C636, ASTM E580, CISCA and standard industry practices, within all applicable code requirements. Class 5-8 (Fed. Standard 209E Class 100-100,000) installations require hold-down clips and US28CE molding. Install a L15 hold-down clip within 3 in. of each panel corner. For a 2' x 4' system install an additional L15 hold-down clip centered on the 4' side. Border panels shall have a C-8 hold-down clip within 3 in. of each panel corner. For a 2' x 4' system install an additional C-8 hold-down clip centered on the 4' side. Alternative assemblies and installation methods may be utilized.

### ASTM Load Compliance

Classified as Light, Intermediate or Heavy Duty when tested in accordance with ASTM C635.

### Seismic and heavy duty applications

See SC2499.

### Notes

1. Load test data shows uniform load in lb./LF based on simple span tests in accordance with ASTM C635 deflection limit on L/360.
2. Perimeter panels must be trimmed so that the edge extends completely over the gasket.
3. UA25CE molding and L15 and C8 hold-down clips are required for ISO Class 5 Clean Room applications.
4. Metric sizes available by RTQ.
5. AXCE™ is not available in powder coated options, only available in Standard and Advantage options.

### FEATURES AND BENEFITS

- Meets 2014 *Guidelines For Healthcare Facilities*.
- Noncorrosive aluminum 15/16" exposed grid system with stainless steel clip, ideal for high-humidity or wet-cleaned areas.
- Capable of withstanding cleaning and/or disinfecting chemicals as tested in accordance with ASTM D5402.
- Tested for environmental conditions in accordance with ASTM C635.
- Aluminum components can be used in nonmagnetic environments and meet USDA/FSIS requirements.
- Cross-tee override-ends resist twisting and give a professionally finished look.
- Proprietary stainless steel Quick-Release™ clip.
- Up to 90% recycled content.
- Factory applied, white closed cell foam gasket.

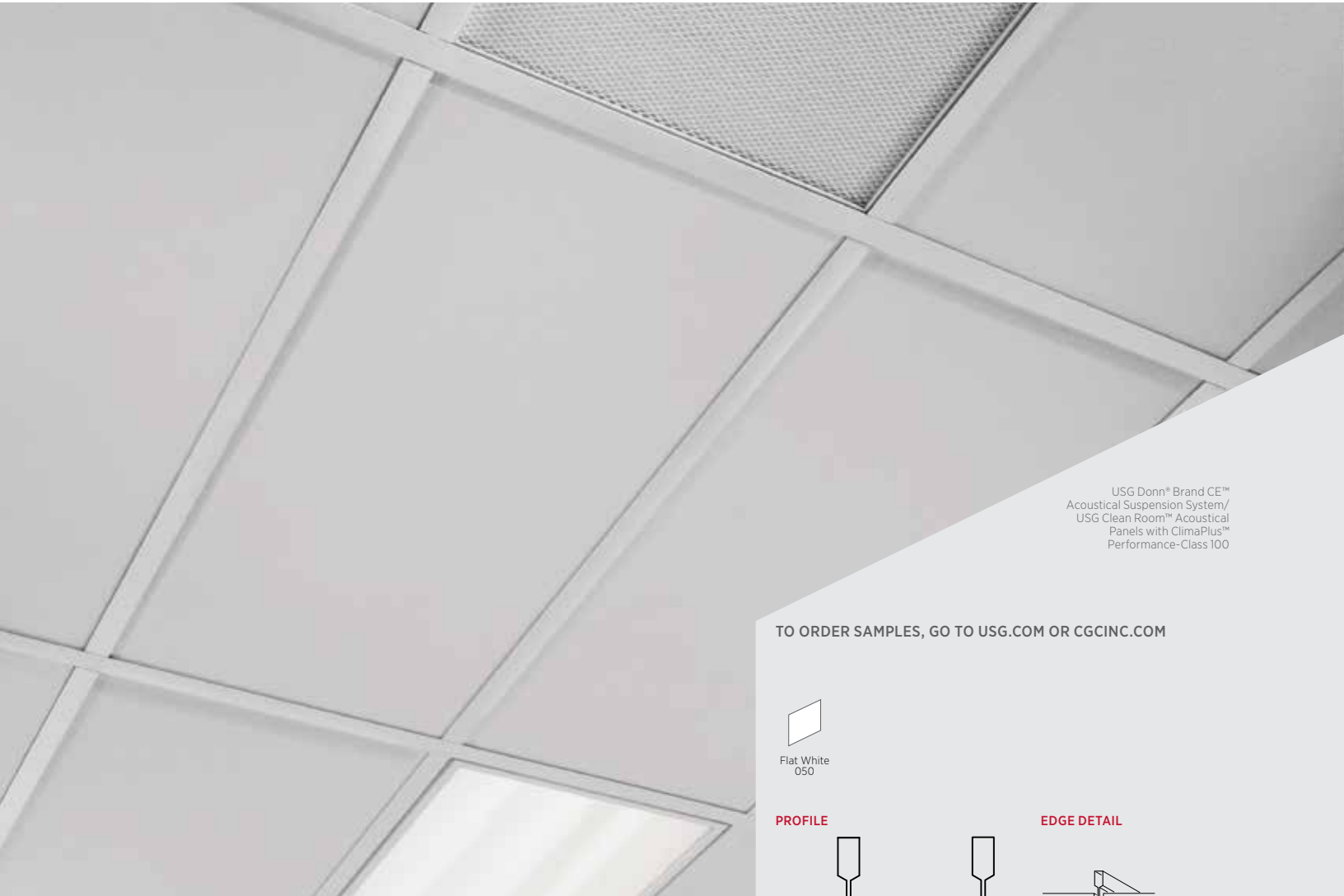
### APPLICATIONS

- Healthcare facilities, restricted and semirestricted areas
- MRI rooms
- Magnetic-free zones
- High-humidity areas
- Food processing areas
- AXCE Certified to meet ISO 14644-1 Class 5-8 (Fed. Standard 209E Class 100-100,000)



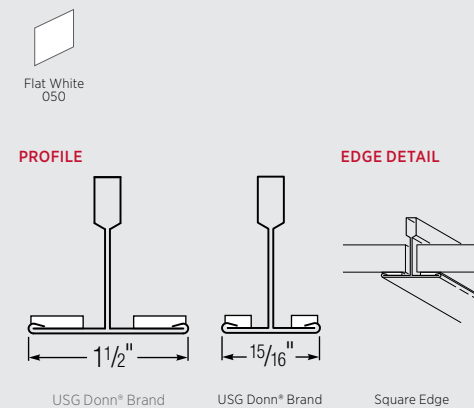


# USG DONN® BRAND CE™ ACOUSTICAL SUSPENSION SYSTEM



USG Donn® Brand CE™  
Acoustical Suspension System/  
USG Clean Room™ Acoustical  
Panels with ClimaPlus™  
Performance-Class 100

TO ORDER SAMPLES, GO TO USG.COM OR CGCINC.COM



## FEATURES AND BENEFITS

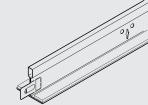
- Grid system with factory-applied white, closed-cell foam gaskets for controlled-environments.
- Min. G30 hot-dipped galvanized body provides corrosion protection.
- Supports Clean Room HEPA filters and lights.
- ICC-ES evaluated for building code compliance and seismic installations (ICC-ESR-1222).
- Meets 2014 *Guidelines for Healthcare Facilities*.
- Capable of withstanding cleaning and/or disinfecting chemicals as tested in accordance with ASTM D5402.

## APPLICATIONS

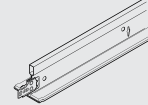
- Clean Rooms
- Hospitals
- Food processing areas
- Healthcare facilities, restricted and semirestricted areas
- Certified to meet ISO 14644-1 Class 5-8 (Fed. Standard 209E Class 100-100,000)

### 1-1/2" TEE SYSTEM<sup>7</sup>

Main Tee

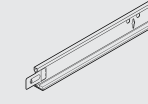


Cross Tee 1-1/2"

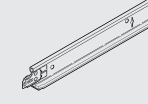


### 15/16" TEE SYSTEM

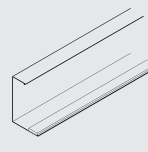
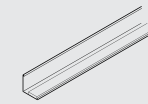
Main Tee



Cross Tee 1-1/2"



### MOLDING<sup>4,5,7</sup>



## PHYSICAL DATA/ FOOTNOTES

**Notice**  
The information in this document is subject to change without notice. CGC Inc. or USG Corp. assumes no responsibility for any errors that may inadvertently appear in this document.

**AC3129/rev. 6-22**  
© 2022 USG Corporation and/or its affiliates. All rights reserved. Printed in U.S.A.

## USG DONN® BRAND CE™ ACOUSTICAL SUSPENSION SYSTEM

**30** YEAR LIMITED SYSTEM WARRANTY  
• No Visible Sag  
• Mold/Mildew Protection

**HRC** HIGH RECYCLED CONTENT

ORDER SAMPLES/LITERATURE  
USG: usg.com or sampllit@usg.com  
CGC: contact Sales Representative

TECHNICAL SERVICES  
800 USG.4YOU (874-4968)

FOR MOST UP-TO-DATE  
TECHNICAL INFORMATION  
AND LEED REPORT TOOL  
usgdesignstudio.com  
cgcdesignstudio.com

ASTM Class	Length	Height	Item No.	Fire Rating	Color	Seismic Design Category		Rated Load <sup>1,2,3</sup>		
						IBC	ICC-ES Evaluated Installation	4' Hanger Spacing	5' Hanger Spacing	6' Hanger Spacing
Heavy Duty	12'	1-1/2" 38 mm	<b>DXWCE26</b> HRC	Class A	Flat White	A-F	7/8" Molding ACM7 Clip	16 lb./LF	7.3 lb./LF	4.9 lb./LF
	2'	1-1/2" 38 mm	<b>DXWCE224</b>	Class A	Flat White	—	—	36 lb./LF		
	4'	1-1/2" 38 mm	<b>DXWCE424</b>	Class A	Flat White	—	—	13 lb./LF		
Intermediate Duty	12'	1.64" 42 mm	<b>DXCE24</b>	Class A	Flat White	A-C	7/8" Molding ACM7 Clip	12 lb./LF	6.1 lb./LF	3.6 lb./LF
	Heavy Duty	12'	1.64" 42 mm	<b>DXCE26</b>	Class A	Flat White	A-F	7/8" Molding ACM7 Clip	16 lb./LF	7.3 lb./LF
	2'	1-1/2" 38 mm	<b>DXCE224</b>	Class A	Flat White					
	4'	1-1/2" 38 mm	<b>DXCE424</b>	Class A	Flat White					
Wall Angle	Length	Item No.	Color	Hold-Down Clips <sup>6</sup>						
	12'	<b>M7CE</b> HRC	Flat White							
	10'	<b>US28CE</b>	Flat White							

**Low Emissions (VOC)**  
CDPH 01350 v1.2-2017 compliance on select finishes, see usg.com for more details and documentation.

**High Recycled Content**  
USG classifies High Recycled Content as greater than 50%. Total recycled content is based on product composition of postconsumer and preconsumer (postindustrial) recycled content per FTC guidelines.

**Product literature and samples**  
Data sheet: AC3129  
DXCE™ sample: 207901

**Material**  
Min. G30 hot-dipped galvanized steel body and cap. Baked-on polyester paint.

**Installation**  
Must be installed in compliance with ASTM C636, ASTM E580, CISCA and standard industry practices, within all applicable code requirements. Class 5-8 (Fed. Standard 209E Class 100-100,000) installations require hold-down clips and US28CE molding. Install a L15 hold-down clip within 3 in. of each panel corner. For a 2' x 4' system install an additional L15 hold-down clip centered on the 4' side. Border panels shall have a C-8 hold-down clip within 3 in. of each panel corner. For a 2' x 4' system install an additional C-8 hold-down clip centered on the 4' side. Alternative assemblies and installation methods may be utilized when approved by the authority having jurisdiction.

**Online tools**  
usgdesignstudio.com or cgcdesignstudio.com

**Limitations**  
Interior applications only. The gasket face contains a protective strip that must be removed prior to panel installation. The standard gasket is not recommended for installations with metal panels. If metal panels are desired, a special gasket suitable for metal panels may be applied to the USG Donn® Brand CE™ Acoustical Suspension System through special order.

**ICC Evaluation Service, LLC Report Compliance**  
For areas under ICC jurisdiction, see ICC-ES Evaluation Report ESR-1222 for allowable values and conditions of use. Reports are subject to reexamination, revision and possible cancellation. Refer to usg.com for most current version.

**LA Research Report - RR 25764**  
Refer to usg.com for most current version.

**ASTM Load Compliance**  
Classified as Light, Intermediate or Heavy Duty when tested in accordance with ASTM C635.

**Healthcare facilities**  
- No crevice created between suspension system and tile, meets or exceeds requirements for restricted and semirestricted areas.  
- Capable of withstanding cleaning and/or disinfecting chemicals as tested in accordance with ASTM D5402-93.

**Testing**  
Tested in accordance with Federal Standard 209E.

- Notes**
1. Load test data shows uniform load in lb./LF based on simple span tests in accordance with ASTM C635 deflection limit on L/360.
  2. When required, lay-in light fixtures used in Clean Room ceiling assemblies shall be certified for Clean Room applications.
  3. HEPA filters must be supported at all four corners of grid module.
  4. For more information on moldings, see Perimeter Interface selector.
  5. Panels must be field-cut to size at the perimeter.
  6. US28CE molding and L15 and C-8 hold-down clips required for Clean Room ISO Class 5-8 (Fed. Standard 209E Class 100-100,000) applications.
  7. Metric sizes available by RTQ.

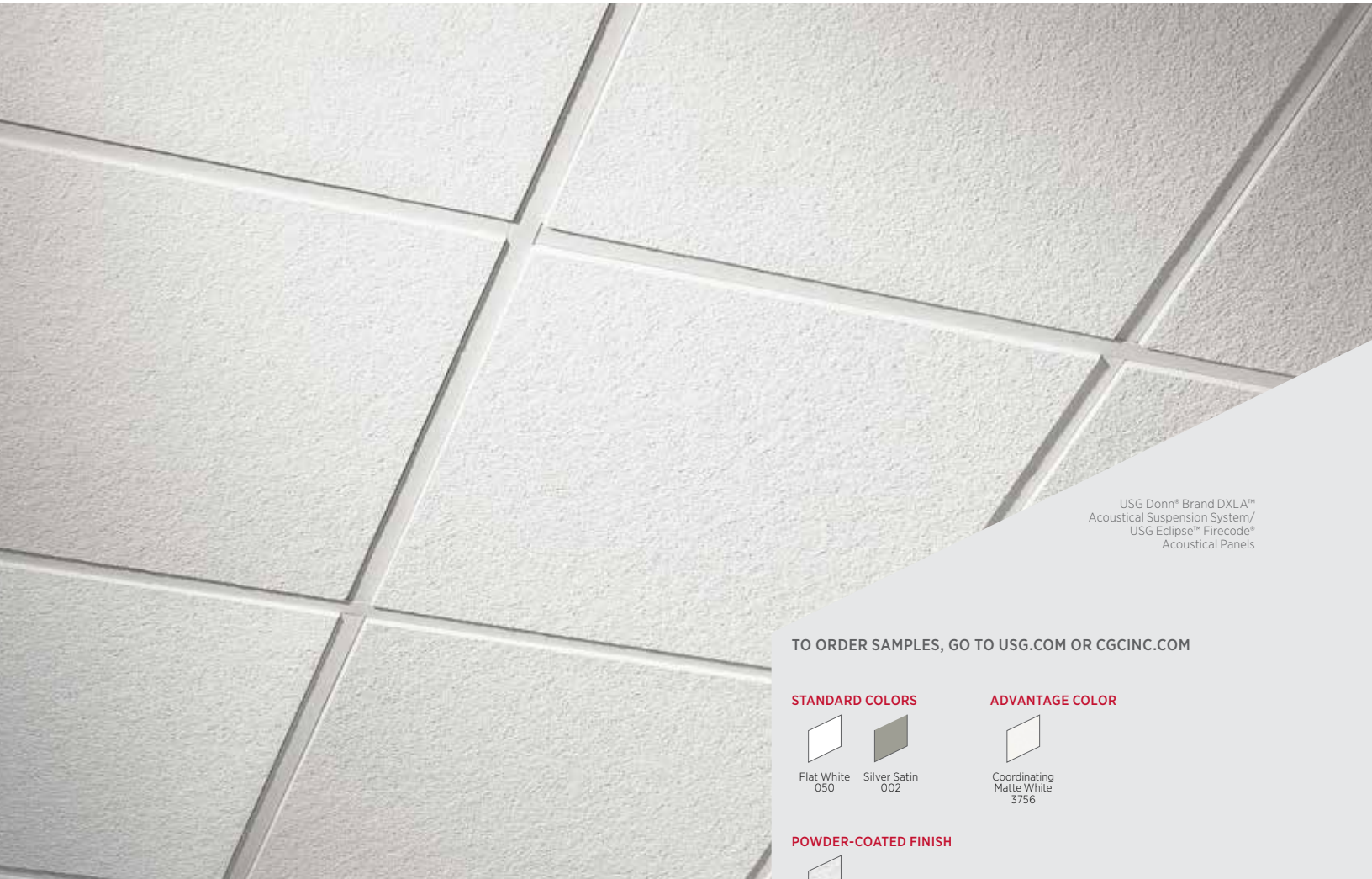
Manufactured by USG Interiors, LLC 550 West Adams Street Chicago, IL 60661

The trademarks USG, CGC, CE, CLEAN ROOM, CLIMAPLUS, DONN, IT'S YOUR WORLD, BUILD IT, the USG/CGC logo, the design elements and colors, and related marks are trademarks of USG Corporation or its affiliates.

Safety First! Follow good safety/industrial hygiene practices during installation. Wear appropriate personal protective equipment. Read SDS and literature before specification and installation.



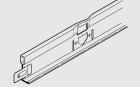
# USG DONN® BRAND DXLA™/DXACE™ ACOUSTICAL SUSPENSION SYSTEM



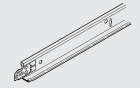
CDPH 01350 v1.2-2017 compliant, see usg.com for more details and documentation

## USG DONN® BRAND DXLA™ 15/16" TEE SYSTEM<sup>7</sup>

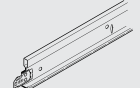
Main Tee



Cross Tee 1"

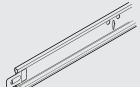


Cross Tee 1-1.2"

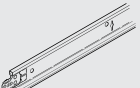


## USG DONN® BRAND DXACE™ 15/16" TEE SYSTEM<sup>7</sup>

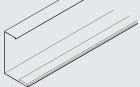
Main Tee



Cross Tee 1-1.2"



## WALL ANGLE<sup>5,7</sup>



## PHYSICAL DATA/ FOOTNOTES

**Notice**  
The information in this document is subject to change without notice. CGC Inc. or USG Corp. assumes no responsibility for any errors that may inadvertently appear in this document.

**AC3036/rev. 6-22**  
© 2022 USG Corporation and/or its affiliates. All rights reserved. Printed in USA

USG Donn® Brand DXLA™ Acoustical Suspension System/  
USG Eclipse™ Firecode® Acoustical Panels

TO ORDER SAMPLES, GO TO USG.COM OR CGCINC.COM

### STANDARD COLORS



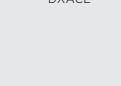
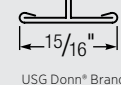
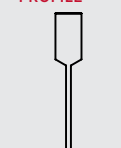
### ADVANTAGE COLOR



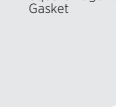
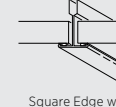
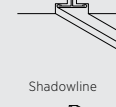
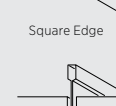
### POWDER-COATED FINISH



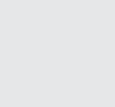
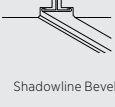
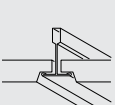
### PROFILE



### EDGE DETAIL



### EDGE DETAIL



## FEATURES AND BENEFITS

- 15/16" exposed, fire-rated system with aluminum cap.
- Capable of withstanding cleaning and/or disinfecting chemicals as tested in accordance with ASTM D5402.
- Available with factory-applied white, closed-cell foam gasket for Clean Room applications.
- Suitable for use in food processing areas and meets USDA/FSIS requirements.
- Cross-tee override-ends resist twisting and give a professionally finished look.
- Proprietary Quick-Release™ cross tees.
- ICC-ES evaluated for seismic installations (ESR-1222).
- Custom colors available.
- USG DONN® Brand DXLA™/DXACE™ Acoustical Suspension System is part of the Ecoblueprint™ portfolio — meeting today's sustainability standards. For sustainability documentation go to USG.com or CGCInc.com.

## APPLICATIONS

- Healthcare facilities
- USG DXLA™ for use in UL fire-rated designs
- Food processing areas
- DXACE™ Certified to meet ISO 14644-1 Class 5-8 (Fed. Standard 209E Class 100-100,000)<sup>6</sup>

# USG DONN® BRAND DXLA™/DXACE™ ACOUSTICAL SUSPENSION SYSTEM

ORDER SAMPLES/LITERATURE  
USG: usg.com or sampl@usg.com  
CGC: contact Sales Representative

FOR MOST UP-TO-DATE  
TECHNICAL INFORMATION  
AND LEED REPORT TOOL  
usgdesignstudio.com  
cgcdesignstudio.com



ASTM Class	Length	Height	Item No.	Fire Rating <sup>3</sup>	Color <sup>1</sup>	Seismic Design Category		Rated Load <sup>2</sup>	
						IBC	ICC-ES Evaluated Installation	4' Hanger Spacing	5' Hanger Spacing
Intermediate Duty	12'	USG 1.64" 42 mm/ CGC 1.5" 25mm	DXLA24		Flat White Silver Satin	A-C	7/8" Molding ACM7 Clip	12 lb./LF	6.1 lb./LF
Heavy Duty	12'	USG 1.64" 42 mm/ CGC 1.5" 25mm	DXLA26		Flat White Silver Satin	A-F	7/8" Molding ACM7 Clip	16 lb./LF	7.3 lb./LF
	2'	1-1/2" 38 mm	DXLA216		Flat White Silver Satin				
	4'	1-1/2" 38 mm	DXLA424		Flat White Silver Satin				
Heavy Duty	12'	USG 1.64" 42 mm/ CGC 1.5" 25mm	DXACE26	Class A	Flat White <sup>6</sup>	A-F	7/8" Molding ACM7 Clip	16 lb./LF	7.3 lb./LF
	2'	1-1/2" 38 mm	DXACE224	Class A	Flat White <sup>6</sup>				
	4'	1-1/2" 38 mm	DXACE424	Class A	Flat White <sup>6</sup>				
Molding <sup>4</sup>	Length	Item No.	Hold-Down Clips <sup>6</sup>	Color	Wall Angle	Length	Item No.	Color	Hold-Down Clips <sup>4</sup>
	10'	MC11A25 (up to 52% recycled content)		Flat White		12'	M7Z (up to 65% recycled content)	Flat White Silver Satin	—
	12'	M7A (up to 90% recycled content)	—	Flat White		12'	M7ACE (up to 65% recycled content)	Flat White	L15/L15CE
	10'	US28CE (up to 52% recycled content)	C-8/C-8CE						

**Low Emissions (VOC)**  
CDPH 01350 v1.2-2017 compliance on select finishes, see usg.com for more details and documentation.

**High Recycled Content**  
USG classifies High Recycled Content as greater than 50%. Total recycled content is based on product composition of postconsumer and preconsumer (postindustrial) recycled content per FTC guidelines.

**Firecode®**

**Product literature and samples**  
Data sheet: AC3036  
USG Donn® Brand DXLA™ sample: 215675

**Material**  
Min. G30 hot-dipped galvanized steel body and aluminum cap. Baked-on polyester paint or powder-coated finish.

**Installation**  
Interior applications only. Please refer to SC2561 for more information about exterior ceiling applications. The gasket face applied to USG Donn® Brand DXACE™ contains a protective strip that must be removed prior to panel installation. The standard gasket is not recommended for installations with metal panels. If metal panels are desired, a special gasket suitable for metal panels may be applied to the USG Donn® Brand DXACE™ suspension system through special order.

**ICC Evaluation Service, LLC Report Compliance**  
For areas under ICC jurisdiction, see ICC-ES Evaluation Report ESR-1222 for allowable values and conditions of use. Reports are subject to reexamination, revision and possible cancellation. Refer to usg.com for most current version.

**LA Research Report - RR 25764**  
Refer to usg.com for most current version.

**ASTM Load Compliance**  
Classified as Light, Intermediate or Heavy Duty when tested in accordance with ASTM C635.

**Healthcare facilities**  
- Capable of withstanding cleaning and/or disinfecting chemicals as tested in accordance with ASTM D5402-06.

- Notes**
1. Some products available in custom colors. USG Donn® Brand DXACE™ available in flat white only.
  2. Load test data shows uniform load in lb./LF based on simple span tests in accordance with ASTM C635 deflection limit on L/360.
  3. For fire-rated ceilings, must be installed as stated in UL designs.
  4. Channel moldings also acceptable in some UL designs.
  5. Panels must be field-cut to size at the perimeter. For Shadowline detail, field-cut edge must be at least as wide as the factory cut.
  6. US28CE molding and L15 and C-8 hold-down clips required for Clean Room ISO Class 5 (Fed. Standard 209E Class 100) applications.
  7. Metric sizes available by RTQ.
  8. DXACE™ products are not available in Powder Coated paint options.

Manufactured by USG Interiors, LLC 550 West Adams Street Chicago, IL 60661

The trademarks USG, CGC, DONN, DXACE, DXLA, ECLIPSE, ECOBLEUPRINT, FIRECODE, QUICK-RELEASE, IT'S YOUR WORLD, BUILD IT, the USG/CGC logo, the design elements and colors, and related marks are trademarks of USG Corporation or its affiliates.

Safety First! Follow good safety/industrial hygiene practices during installation. Wear appropriate personal protective equipment. Read SDS and literature before specification and installation.

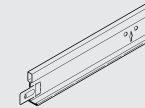


# USG DONN® BRAND DXSS™ ACOUSTICAL SUSPENSION SYSTEM

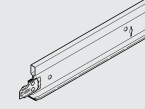


USG Donn® Brand DXSS™  
Acoustical Suspension System/  
USG Sheetrock® Brand Lay-In  
Acoustical Ceiling Panels with  
ClimaPlus™ Performance

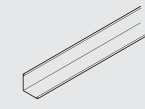
## 15/16" TEE SYSTEM Main Tee 1-1/2"



## Cross Tee 1-1/2"



## MOLDING

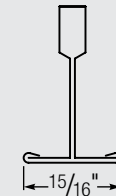


## PHYSICAL DATA/ FOOTNOTES

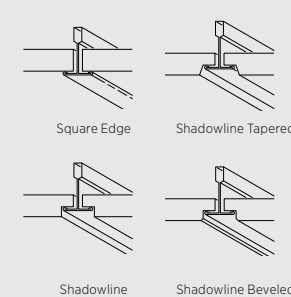
TO ORDER SAMPLES, GO TO [USG.COM](http://USG.COM) OR [CGCINC.COM](http://CGCINC.COM)



### PROFILE



### EDGE DETAIL



## FEATURES AND BENEFITS

- 15/16" stainless steel grid system with stainless steel cap.
- Resistant to direct and indirect contact with many corrosive agents.
- Stainless steel Quick-Release™ clips on cross tees.
- Nonmagnetic.
- Cross-tee override-ends resist twisting.
- Meets USDA/FSIS requirements.
- Cap material is protected with removable film, reducing post construction cleaning.

## APPLICATIONS

- Food processing areas
- Industrial applications
- Laboratories

**Notice**  
The information in this document is subject to change without notice. CGC Inc. or USG Corp. assumes no responsibility for any errors that may inadvertently appear in this document.

**AC3068/rev. 6-22**  
© 2022 USG Corporation and/or its affiliates. All rights reserved. Printed in U.S.A.

# USG DONN® BRAND DXSS™ ACOUSTICAL SUSPENSION SYSTEM

ORDER SAMPLES/LITERATURE  
USG: [usg.com](mailto:usg.com) or [samplit@usg.com](mailto:samplit@usg.com)  
CGC: contact Sales Representative  
**TECHNICAL SERVICES**  
800 USG.4YOU (874-4968)

FOR MOST UP-TO-DATE  
**TECHNICAL INFORMATION  
AND LEED REPORT TOOL**  
[usgdesignstudio.com](http://usgdesignstudio.com)  
[cgcdesignstudio.com](http://cgcdesignstudio.com)

30 YEAR LIMITED SYSTEM  
WARRANTY  
• No Visible Sag  
• Mold/Mildew Protection

ASTM Class	Length	Height	Item No.	Fire Rating	Color	Recycled Content	Minimum Load Carrying Capabilities—Main tee¹		
							2' Hanger Spacing	3' Hanger Spacing	4' Hanger Spacing
Light Duty	12'	1-1/2" 38 mm	DXSS24	Class A	Stainless Steel	up to 50%	70 lb./LF	23 lb./LF	10 lb./LF
	2'	1-1/2" 38 mm	DXSS224	Class A	Stainless Steel	up to 50%			
	4'	1-1/2" 38 mm	DXSS424	Class A	Stainless Steel	up to 50%			
Wall Angle	Length		Item No.		Color	Recycled Content			
	12'		M7SS		Stainless Steel	up to 50%			

**Product literature and samples**  
Data sheet: AC3068  
Sample: 215671

**Material**  
Double-web Type 304 chromium-nickel austenitic alloy stainless steel body, cap and clip. This cap material is protected by PVC, which should be removed after installation.

**Online tools**  
[usgdesignstudio.com](http://usgdesignstudio.com) or [cgcdesignstudio.com](http://cgcdesignstudio.com)

**Installation**  
Install according to ASTM C636, ASTM E580, CISCA and USG requirements. Alternate installation methods may be used when approved by the authority having jurisdiction.

**ASTM Load Compliance**  
Classified as Light, Intermediate or Heavy Duty when tested in accordance with ASTM C635.

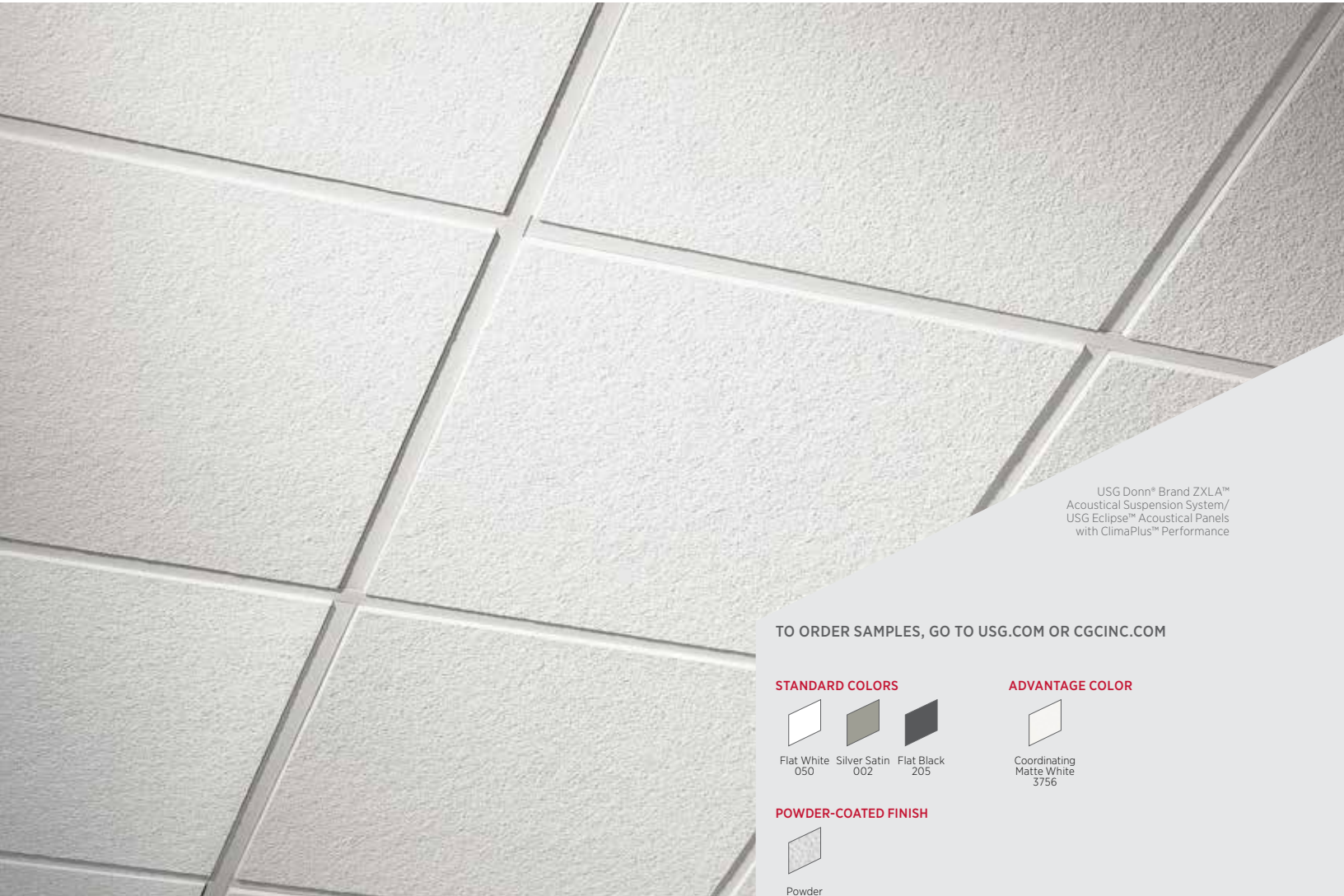
**Notes**  
1. Load test data shows uniform load in lb./LF based on simple span tests in accordance with ASTM C635 deflection limit on L/360.

Manufactured by  
USG Interiors, LLC  
550 West Adams Street  
Chicago, IL 60661

The trademarks USG, CGC, CLIMAPLUS, DONN, DXSS, QUICKRELEASE, SHEETROCK, IT'S YOUR WORLD. BUILD IT., the USG/CGC logo, the design elements and colors, and related marks are trademarks of USG Corporation or its affiliates.

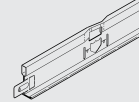
Safety First! Follow good safety/industrial hygiene practices during installation. Wear appropriate personal protective equipment. Read SDS and literature before specification and installation.

# USG DONN® BRAND ZXLA™ ACOUSTICAL SUSPENSION SYSTEM

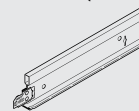


USG Donn® Brand ZXLA™  
Acoustical Suspension System/  
USG Eclipse™ Acoustical Panels  
with ClimaPlus™ Performance

## 15/16" TEE SYSTEM<sup>4</sup> Main Tee



## Cross Tee 1-1/2" (38 mm)



TO ORDER SAMPLES, GO TO USG.COM OR CGCINC.COM

### STANDARD COLORS



### POWDER-COATED FINISH



### ADVANTAGE COLOR



### MOLDING<sup>3,4</sup>



### PHYSICAL DATA/ FOOTNOTES

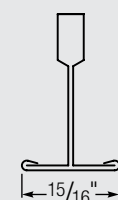
## FEATURES AND BENEFITS

- G90 hot-dipped galvanized steel body with aluminum cap, conforms to ASTM C635.
- Polyester paint finish and stainless steel clip for increased corrosion protection.
- Complies with all national code requirements, including seismic and fire-rated assemblies up to two hours.
- Proprietary Quick-Release™ cross tees.
- Tested for exterior wind-uplift applications.

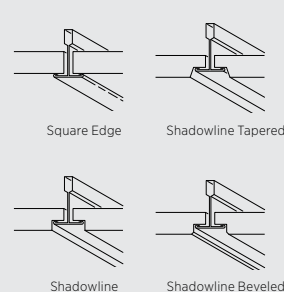
## APPLICATIONS

- Exterior soffits
- Food processing
- Healthcare
- Industrial applications
- Laboratories
- Parking garages
- Locker rooms

### PROFILE



### EDGE DETAIL



### Notice

The information in this document is subject to change without notice. CGC Inc. or USG Corp. assumes no responsibility for any errors that may inadvertently appear in this document.

AC3029/rev. 6-22  
© 2022 USG Corporation and/or its affiliates. All rights reserved. Printed in U.S.A.

# USG DONN® BRAND ZXLA™ ACOUSTICAL SUSPENSION SYSTEM

ORDER SAMPLES/LITERATURE  
USG: usg.com or samplrit@usg.com  
CGC: contact Sales Representative

TECHNICAL SERVICES  
800 USG.4YOU (874-4968)

FOR MOST UP-TO-DATE  
TECHNICAL INFORMATION  
AND LEED REPORT TOOL  
usgdesignstudio.com  
cgcdesignstudio.com



Declare® Labels on select finishes, see usg.com for more details and documentation.

ASTM Class	Length	Height	Item No.	Fire Rating	Color	Seismic Design Category			Rated Load <sup>1,2</sup>		
						IBC	ICC-ES Evaluated Installation	4' Hanger Spacing	5' Hanger Spacing	6' Hanger Spacing	
Intermediate Duty <sup>2</sup>	12'	USG 1.64" 42 mm CGC 1.5" 25 mm	ZXLA24 HRC	Class 1	Flat White Flat Black Satin Silver	A-C	7/8" Molding ACM7 Clip	12 lb./LF	6.1 lb./LF	3.6 lb./LF	
Heavy Duty	12'	USG 1.64" 42 mm	ZXLA26 HRC	Class 1	Flat White Flat Black Satin Silver	A-F	7/8" Molding ACM7 Clip	16 lb./LF	7.3 lb./LF	4.9 lb./LF	
-	2'	1-1/2" 38 mm	ZXLA224 HRC	Class 1	Flat White Flat Black Satin Silver	-	-	-	-	-	
-	4'	1-1/2" 38 mm	ZXLA424 HRC	Class 1	Flat White Flat Black Satin Silver	-	-	-	-	-	

### Low Emissions (VOC)

CDPH 01350 v1.2-2017 compliance on select finishes, see usg.com for more details and documentation.

### High Recycled Content

USG classifies High Recycled Content as greater than 50%. Total recycled content is based on product composition of postconsumer and preconsumer (postindustrial) recycled content per FTC guidelines.

### Firecode®

Wall Angle	Length	Item No.	Color
	12'	M7Z (up to 65% recycled content) HRC	Flat White Flat Black Satin Silver

### Product literature and samples

Data sheet: AC3029  
Exterior systems guide: SC2561

### Material

G90 hot-dipped galvanized steel tee and aluminum cap; stainless steel clip. Baked on polyester paint or powder coated finish.

### Installation

Install according to ASTM C636, ASTM E580, CISCA and USG requirements. Alternate installation methods may be used when approved by the authority having jurisdiction.

### LA Research Report - RR 25764

Refer to usg.com for most current version.

### Online tools

usgdesignstudio.com or cgcdesignstudio.com

### ICC Evaluation Service, LLC Report Compliance

For areas under ICC jurisdiction, see ICC-ES Evaluation Report ESR-1222 for allowable values and conditions of use. Reports are subject to reexamination, revision and possible cancellation. Refer to usg.com for most current version.

### Limitations

Finish is not UV-resistant; should not be installed where direct exposure to sun or weather will occur, such as fascias or facades. Not suitable for areas subject to high concentrations of acid rain. Indirect exposure to severe environmental conditions may shorten the life span of the product. The specific design of exterior ceiling installations requires the review and approval of the architect or engineer of record. Please refer to SC2561 for more information about exterior ceiling applications.

### ASTM Load Compliance

Classified as Light, Intermediate or Heavy Duty when tested in accordance with ASTM C635.

### Notes

1. Hanger wire spacing and locations must be per the UL design.
2. Load test data shows uniform load in lb./LF based on simple span tests in accordance with ASTM C635 deflection limit on L/360.
3. Panels must be specified to be field-cut to size and field-revealed to provide as wide a lay-on edge as possible.
4. Metric sizes available by RTQ.

Manufactured by  
USG Interiors, LLC  
550 West Adams Street  
Chicago, IL 60661

The trademarks USG, CGC, CLIMAPLUS, DONN, ECLIPSE, FIRECODE, QUICK-RELEASE, ZXLA, IT'S YOUR WORLD. BUILD IT., the USG/CGC logo, the design elements and colors, and related marks are trademarks of USG Corporation or its affiliates.

Safety First! Follow good safety/industrial hygiene practices during installation. Wear appropriate personal protective equipment. Read SDS and literature before specification and installation.



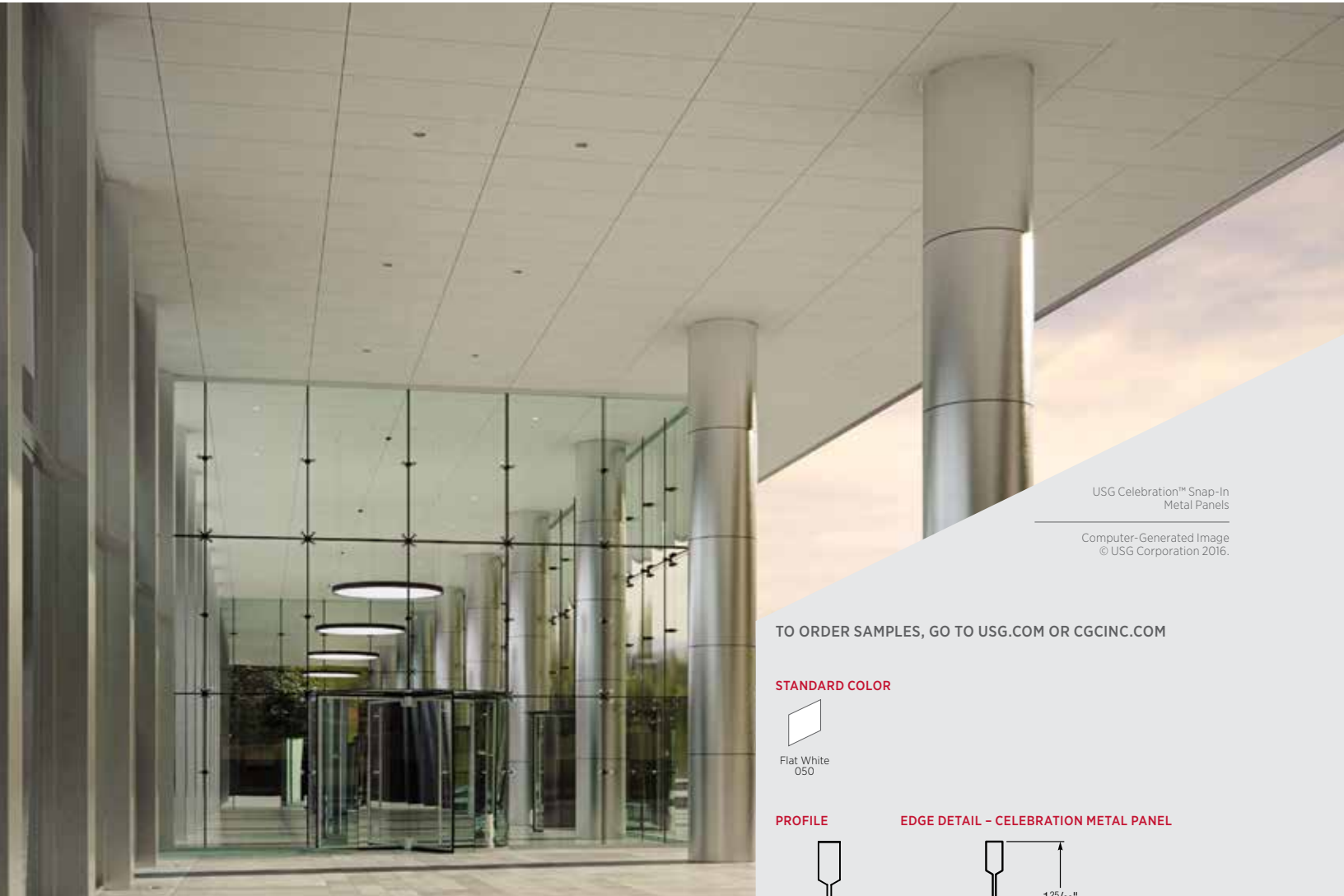
# USG DONN® BRAND FINELINE® DXFEV™ ACOUSTICAL SUSPENSION SYSTEM

# USG DONN® BRAND FINELINE® DXFEV™ ACOUSTICAL SUSPENSION SYSTEM

ORDER SAMPLES/LITERATURE  
USG: usg.com or samplit@usg.com  
CGC: contact Sales Representative

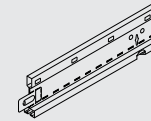
FOR MOST UP-TO-DATE  
TECHNICAL INFORMATION  
AND LEED REPORT TOOL  
usgdesignstudio.com  
cgcdesignstudio.com

TECHNICAL SERVICES  
800 USG.4YOU (674-4968)

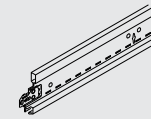


USG Celebration™ Snap-In  
Metal Panels  
Computer-Generated Image  
© USG Corporation 2016.

## 9/16" TEE SYSTEM<sup>5</sup> Main Tee<sup>4</sup>



## Cross Tee

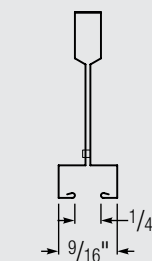


TO ORDER SAMPLES, GO TO USG.COM OR CGCINC.COM

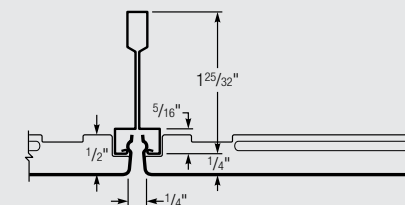
### STANDARD COLOR



### PROFILE



### EDGE DETAIL - CELEBRATION METAL PANEL



### PERIMETER MOLDING<sup>3,5</sup>

### ACCESSORIES

### PHYSICAL DATA/ FOOTNOTES

**Notice**  
The information in this document is subject to change without notice. CGC Inc. or USG Corp. assumes no responsibility for any errors that may inadvertently appear in this document.

AC3304/rev. 6-22  
© 2022 USG Corporation and/or its affiliates. All rights reserved. Printed in U.S.A.

**Declare.** Declare® Labels on select finishes, see usg.com for more details and documentation.

ASTM Class	Length	Height	Item No.	Description	Fire Rating	Color	Rated Load <sup>1</sup>		
							4' Hanger Spacing	5' Hanger Spacing	6' Hanger Spacing
Intermediate Duty	12'	1-25/32" 45 mm	DXFEV2924	Narrow-profile, slotted grid system with G90 galvanization notched 24" o.c. cross tee hole 12" o.c.	Class A	Flat White, Black Reveal	12 lb./LF	6.6 lb./LF	3.6 lb./LF
Heavy Duty	12'	1-25/32" 45 mm	DXFEVH2924	Narrow-profile, slotted grid system with G90 galvanization notched 24" o.c. cross tee hole 12" o.c.	Class A	Flat White, Black Reveal	16 lb./LF	8.3 lb./LF	4.9 lb./LF
Intermediate Duty	12'	1-25/32" 45 mm	DXFEV2912	Narrow-profile, slotted grid system with G90 galvanization notched 12" o.c. cross tee hole 12" o.c.	Class A	Flat White, Black Reveal	12 lb./LF	6.6 lb./LF	3.6 lb./LF
Heavy Duty	12'	1-25/32" 45 mm	DXFEVH2912	Narrow-profile, slotted grid system with G90 galvanization notched 12" o.c. cross tee hole 12" o.c.	Class A	Flat White, Black Reveal	16 lb./LF	8.3 lb./LF	4.9 lb./LF
—	2'	1-25/32" 45 mm	DXFEV229	Narrow-profile, slotted grid system with G90 galvanization	Class A	Flat White, Black Reveal	—	—	—
—	4'	1-25/32" 45 mm	DXFEV429N	Narrow-profile, slotted grid system with G90 galvanization notched at midpoint both sides	Class A	Flat White, Black Reveal	—	—	—
—	6'	1-25/32" 45 mm	DXFEV629	Narrow-profile, slotted grid system with G90 galvanization	Class A	Flat White, Black Reveal	—	—	—
—	8'	1-25/32" 45 mm	DXFEV829	Narrow-profile, slotted grid system with G90 galvanization	Class A	Flat White, Black Reveal	—	—	—
Channel Molding	12'	2-3/32"	U-2 3/32	12" x 2-3/32" x 7/8" x 1-1/8" Aluminum U-Molding with G90 galvanization	—	Flat White	—	—	—
Hold-Down Clip	10"	2-3/32"	U-2 3/32HDC	10" x 11/32" x 2-3/32" x 3/4" Panel Hold-Down Clip with G90 galvanization	—	—	—	—	—
Reveal Spacer <sup>4</sup>	100' roll	1/4"	CA1	Arrowhead reveal spacer (100' roll)	—	—	—	—	—

**Low Emissions (VOC)**  
CDPH 01350 v1.2-2017 compliance on select finishes, see usg.com for more details and documentation.



**Product literature and samples**  
Data sheet: AC3304  
System guide: SC2561

**Material**  
Min. G90 hot-dipped galvanized steel body. Baked-on polyester paint.

**Installation**  
Install according to ASTM C636, ASTM E580, Cisca and USG requirements. Alternate installation methods may be used when approved by the authority having jurisdiction.

**Online tools**  
usgdesignstudio.com or cgcdesignstudio.com

**ASTM Load Compliance**  
Classified as Light, Intermediate or Heavy Duty when tested in accordance with ASTM C635.

**LA Research Report - RR 25764**  
Refer to usg.com for most current version.

**Progressive Engineering Inc. Evaluation Report Compliance**  
Wind load tested and listed in PEI Evaluation Report PER-12055.

**ICC Evaluation Service, LLC Report Compliance**  
For areas under ICC jurisdiction, see ICC-ES Evaluation Report ESR-1222 for allowable values and conditions of use. Reports are subject to reexamination, revision and possible cancellation. Refer to usg.com for most current version.

**Notes**

- Load test data shows uniform load in lb./LF based on simple span tests in accordance with ASTM C635 deflection limit on L/360.
- Heavy duty main tees were used in the tested assemblies. If intermediate duty main tees are utilized, hanger wire spacing shall be reduced from 4 ft. o.c. to 3 ft o.c.
- Panels must be field-cut to size at the perimeter.
- CA1 Arrowhead Reveal Spacer available in black or white.
- Metric sizes available by RTQ.

### FEATURES AND BENEFITS

- Specially engineered suspension system to receive USG Celebration™ Metal Panels for a sleek, contemporary look.
- Wind load tested in accordance to: UL 580, UL 1897, and Miami Dade TAS 202 and 203.
- Narrow-profile, slotted grid system with G90 galvanization.
- Stainless steel Quick-Release™ clips on cross tees.
- Black reveal in the slot to create a clean and sharp aesthetic.
- Wind-uplift performance validated by Progressive Engineering Inc. in PEI Evaluation Report PER-12055.
- ICC-ES evaluated for seismic installations (ESR-1222).
- Accepts USG Celebration™ Metal Panel Ceiling System.

### APPLICATIONS

- Exterior soffits/canopies
- Parking garages
- Covered entrances

# USG DRYWALL SUSPENSION SYSTEM

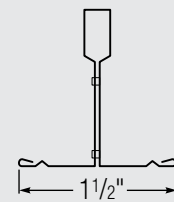
## FLAT CEILINGS



USG Drywall Suspension System/USG Sheetrock® Brand Gypsum Panels

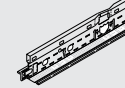
TO ORDER SAMPLES, GO TO USG.COM OR CGCINC.COM

### PROFILE

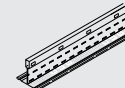


### SYSTEM COMPONENTS

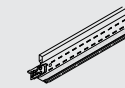
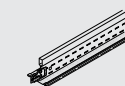
Straight Main Tees



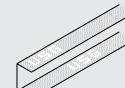
Wall-to-Wall System Straight Tee\*\*



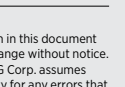
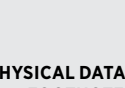
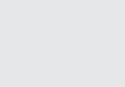
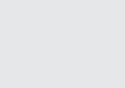
Cross Tees



Moldings



Accessories



### PHYSICAL DATA/ FOOTNOTES

Revit is the trademark of Autodesk Inc.

**Notice**  
The information in this document is subject to change without notice. CGC Inc. or USG Corp. assumes no responsibility for any errors that may inadvertently appear in this document.

**AC3117/rev. 6-22**  
© 2022 USG Corporation and/or its affiliates. All rights reserved. Printed in U.S.A.

## USG DRYWALL SUSPENSION SYSTEM

### FLAT CEILINGS

ORDER SAMPLES/LITERATURE  
USG: usg.com or samplrit@usg.com  
CGC: contact Sales Representative

FOR MOST UP-TO-DATE  
TECHNICAL INFORMATION  
AND LEED REPORT TOOL  
usgdesignstudio.com  
cgcdesignstudio.com

30 YEAR LIMITED SYSTEM WARRANTY  
• No Visible Sag  
• Mold/Mildew Protection

	ASTM Class	Length	Height	Item No.	Fire Rating	IBC Seismic Design	Rated Load <sup>1</sup>					
							Hanger Spacing-lb./LF					
							24"		36"		48"	
						L/240	L/360	L/240	L/360	L/240	L/360	
<b>DGLW</b>	Heavy Duty	12'	1.617"	<b>DGLW26'</b> <b>DGLW26E(G90)'</b>		A-F	129	86	57	38	24	16
<b>DGW</b>	Heavy Duty	6' to 14'	1.617"	<b>DGW26s</b>	Class A	A-F	131	86	62	41	30	20

	ASTM Class	Length	Height	Item No.	Fire Rating	IBC Seismic Design	Span L/360 lb./LF	
							Span	Value
<b>DGLW</b>	—	2'	1-1/2"	<b>DGLW224</b> <b>DGLW224E (G90)</b>		A-F	24"	99.9
	—	26"	1-1/2"	<b>DGLW2624'</b>		A-F	26"	93.1
	—	4'	1-1/2"	<b>DGLW424</b>		A-F	48"	15.9
	—	50"	1-1/2"	<b>DGLW50'</b>			50"	14.1
	—	72"	1-1/2"	<b>DGLW624</b>			72"	4.7
<b>DGW</b>	—	5' 6' 7' 8'	1.617"	<b>DGW-6026DM</b> <b>DGW-7226DM</b> <b>DGW-8426DM</b> <b>DGW-9626DM</b>	Class A	A-F	60" 72" 84" 96"	
	—	12'	—	<b>DGWM24</b> <b>DGWM24E</b>	—	A-F	—	—
	—	12'	—	<b>DGCM27E</b>	—	A-F	—	—
	—	12'	—	<b>DGLC-12</b>	—	A-F	—	—
<b>DGSC180 Splice Clip*</b>	<b>DGTC90 Transition Clip</b>	<b>DGC4, DGC6, DGC8 USG Compasso™ Drywall Clip</b>		<b>DGWC Wall Attachment Clip</b>	<b>CMAC-1 Close Mount Attachment Clip</b>			

\* See AC3152 for alternative splice details \*\* See AC3230 for expanded wall-to-wall data

### Firecode®

**Product literature and samples**  
Drywall suspension systems guide: AC3152  
Data sheet: AC3117  
Data sheet wall-to-wall: AC3230  
Samples: 257202  
Direct mount install guide: AC5420

**Material**  
Min. G40 hot-dipped galvanized steel.  
G90 hot-dipped galvanized steel available for select items.

**Online tools**  
usgdesignstudio.com or cgcdesignstudio.com

**Installation**  
Install according to ASTM C636, ASTM E580, ASTM C754 CISCA and USG requirements. Alternate installation methods may be used when approved by the authority having jurisdiction.

**Limitations**  
For exterior applications, the suspension system should be reviewed by a structural engineer. Please refer to SC2561 for more information about exterior ceiling applications.

**LA Research Report - RR 25764**  
Refer to usg.com for most current version.

**ICC Evaluation Services, LLC. Report Compliance**  
For areas under ICC jurisdiction, see ICC-ES Evaluation Report ESR-4358 for allowable values and conditions of use. Reports are subject to reexamination, revision and possible cancellation. Refer to usg.com for most current version.

**Notes**  
1. Manufactured and tested in accordance with ASTM C635, ASTM A653, and ASTM C645.  
2. Spanning tees for Direct Mount System mfg. with cross tee connection clip at one end and flush-end at other.  
3. Products with 'E' in name are made of G90 HDG steel.

Manufactured by USG Interiors, LLC 550 West Adams Street Chicago, IL 60661

The trademarks USG, CGC, COMPASSO, FIRECODE, SHEETROCK, IT'S YOUR WORLD. BUILD IT., the USG/CGC logo, the design elements and colors, and related marks are trademarks of USG Corporation or its affiliates.

Safety First! Follow good safety/industrial hygiene practices during installation. Wear appropriate personal protective equipment. Read SDS and literature before specification and installation.



# USG DRYWALL SUSPENSION SYSTEM

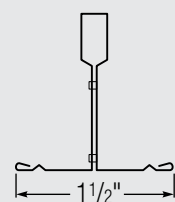
STUCCO/PLASTER/EIFS SYSTEM



USG Drywall Suspension System. Securock® Brand UltraLight Glass-Mat Sheathing / Lath and Stucco System

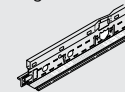
TO ORDER SAMPLES, GO TO USG.COM OR CGCINC.COM

## PROFILE

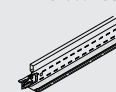


## SYSTEM COMPONENTS

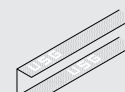
Straight Main Tees



Cross Tees



Moldings



## INSTALLATION DETAILS

## FEATURES AND BENEFITS

- Installs faster than traditional framing methods.
- 12-gauge wire is easier to work with than 9-gauge wire required with traditional framing systems.
- Evaluated for building code compliance according to ICC ESR-4358.
- G40 available for most environments, G90 for more severe conditions.
- Wind load tested and approved, including Miami-Dade NOA, for exterior applications with proper bracing and framing.

## APPLICATIONS

- Interior and Exterior Stucco/Plaster/EIFS ceilings

## PHYSICAL DATA/ FOOTNOTES

Revit is the trademark of Autodesk Inc.

**Notice**  
The information in this document is subject to change without notice. CGC Inc. or USG Corp. assumes no responsibility for any errors that may inadvertently appear in this document.

**AC307560/rev. 6-22**  
© 2022 USG Corporation and/or its affiliates. All rights reserved. Printed in U.S.A.

# USG DRYWALL SUSPENSION SYSTEM

STUCCO/PLASTER/EIFS SYSTEM

ORDER SAMPLES/LITERATURE  
USG: usg.com or samplit@usg.com  
CGC: contact Sales Representative

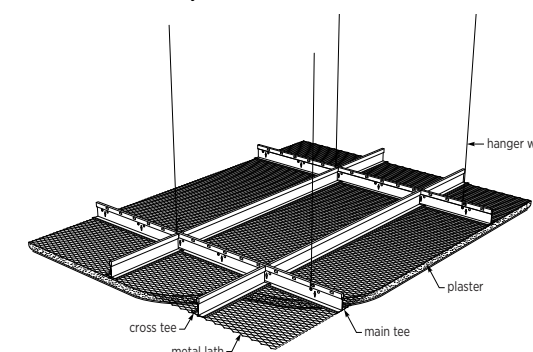
FOR MOST UP-TO-DATE  
TECHNICAL INFORMATION  
AND LEED REPORT TOOL  
usgdesignstudio.com  
cgcdesignstudio.com

30 YEAR LIMITED SYSTEM WARRANTY  
• No Visible Sag  
• Mold/Mildew Protection

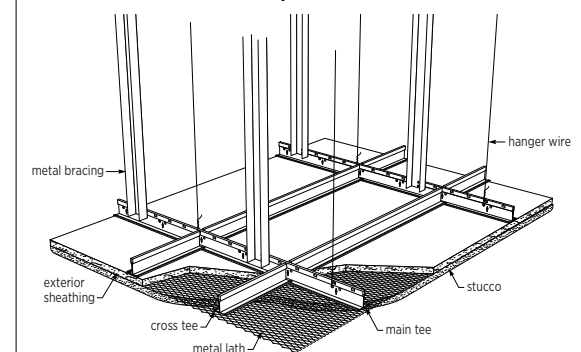
	ASTM Class	Length	Height	Item No.	Fire Rating	IBC Seismic Design	Rated Load <sup>1</sup>					
							Hanger Spacing—lb./LF					
							24"		36"		48"	
						L/240	L/360	L/240	L/360	L/240	L/360	
DGLW	Heavy Duty	12'	1.617"	DGLW26' DGLW26E(G90) <sup>1</sup>		A-F	129	86	57	38	24	16
DGWS	Heavy Duty	135"	1.617"	DGWSPI35E	Class A	A-F	129	86	57	38	24	16

	ASTM Class	Length	Height	Item No.	Fire Rating	IBC Seismic Design	Span L/360 lb./LF	
							Span	Value
DGLW	—	2'	1-1/2"	DGLW224 DGLW224E		A-F	24"	99.9
DGW	—	3'	1-1/2"	DGW324E	Class A	A-F	36"	28.6
	—	12'	—	DGWM24 DGWM24E	—	A-F	—	—
	—	12'	—	DGCM27E	—	A-F	—	—

## Interior Metal Lath and Stucco System



## Exterior Wind Load Metal Lath and Stucco System



## Firecode®

**Product literature and samples**  
Drywall suspension systems guide: AC3152  
Data sheet: AC307560  
STUCCO/PLASTER/EIFS SYSTEM System Guide: AC292945

**Material**  
Min. G40 hot-dipped galvanized steel.  
G90 hot-dipped galvanized steel available for select items.

**Online tools**  
usgdesignstudio.com or cgcdesignstudio.com

**Installation**  
Install according to ASTM C636, ASTM E580, ASTM C754 CISA and USG requirements. Alternate installation methods may be used when approved by the authority having jurisdiction.

**Limitations**  
For exterior applications, the suspension system should be reviewed by a structural engineer. Please refer to SC2561 for more information about exterior ceiling applications.

**LA Research Report - RR 25764**  
Refer to usg.com for most current version.

**ICC Evaluation Services, LLC. Report Compliance**  
For areas under ICC jurisdiction, see ICC-ES Evaluation Report ESR-4358 for allowable values and conditions of use. Reports are subject to reexamination, revision and possible cancellation. Refer to usg.com for most current version.

**Notes**  
1. Manufactured and tested in accordance with ASTM C635, ASTM A653, and ASTM C645.  
2. Products with 'E' in name are made of G90 HDG steel.

Manufactured by USG Interiors, LLC 550 West Adams Street Chicago, IL 60661

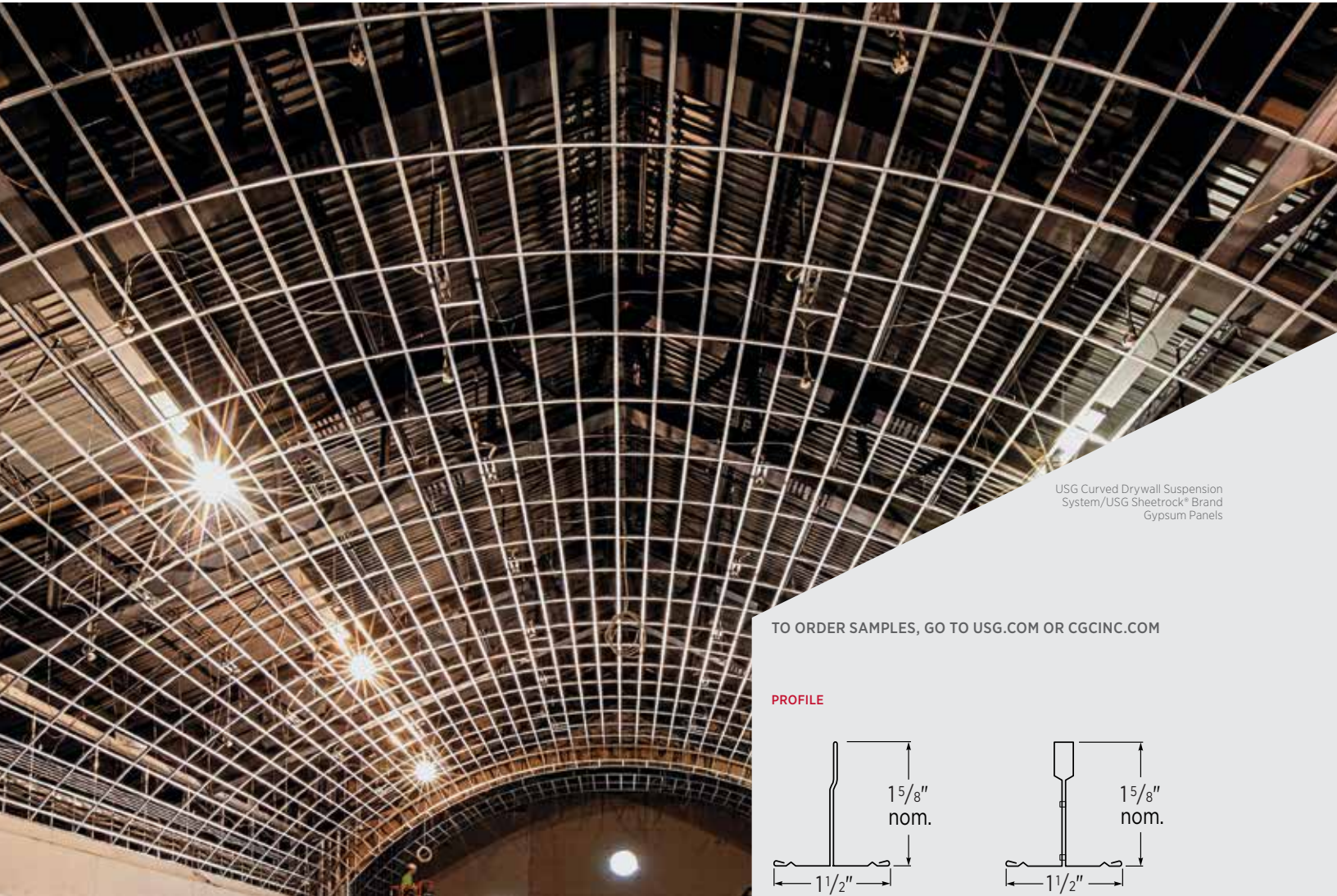
The trademarks USG, CGC, SECUROROCK, IT'S YOUR WORLD. BUILD IT., the USG/CGC logo, the design elements and colors, and related marks are trademarks of USG Corporation or its affiliates.

Safety First! Follow good safety/industrial hygiene practices during installation. Wear appropriate personal protective equipment. Read SDS and literature before specification and installation.



# USG DRYWALL SUSPENSION SYSTEM

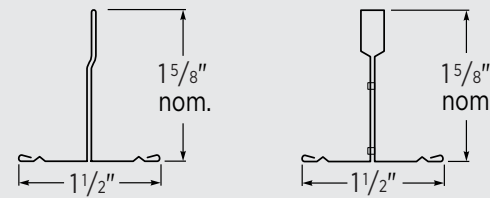
## CURVED CEILINGS



USG Curved Drywall Suspension System/USG Sheetrock® Brand Gypsum Panels

TO ORDER SAMPLES, GO TO [USG.COM](http://USG.COM) OR [CGCINC.COM](http://CGCINC.COM)

### PROFILE



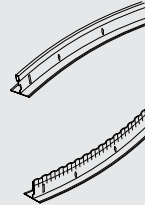
### FEATURES AND BENEFITS

- USG Curved Drywall Suspension System simplifies the design and construction of curved drywall ceilings.
- Project specific Main Tees produced for efficient installation and less material waste.
- Pre-engineered, factory curved main tees for consistent, uniform radii.
- G30 hot-dipped galvanized system suitable for most interior and exterior applications.
- ICC-ES Report ESR-4358.

### APPLICATIONS

- Domes, vaults and valleys
- Groin vaults
- Curved soffits

### SYSTEM COMPONENTS



### ACCESSORIES

Cross Tees

### TYPICAL ASSEMBLIES

### DESIGN SUPPORT

### PHYSICAL DATA/ FOOTNOTES

**Notice**  
The information in this document is subject to change without notice. CGC Inc. or USG Corp. assumes no responsibility for any errors that may inadvertently appear in this document.

**AC3118/rev. 6-22**  
© 2022 USG Corporation and/or its affiliates. All rights reserved. Printed in U.S.A.

## USG DRYWALL SUSPENSION SYSTEM

### CURVED CEILINGS

ORDER SAMPLES/LITERATURE  
USG: [usg.com](http://usg.com) or [sampllit@usg.com](mailto:sampllit@usg.com)  
CGC: [contact.Sales.Representative](mailto:contact.Sales.Representative)

TECHNICAL SERVICES  
800 USG.4YOU (874-4968)

FOR MOST UP-TO-DATE  
TECHNICAL INFORMATION  
AND LEED REPORT TOOL  
[usgdesignstudio.com](http://usgdesignstudio.com)  
[cgcdesignstudio.com](http://cgcdesignstudio.com)

30 YEAR LIMITED SYSTEM WARRANTY  
• No Visible Sag  
• Mold/Mildew Protection

Curved Main Tee	Vault	ASTM Class per C635	Radius	Arc Length	Height	Item No. <sup>2</sup>	Fire Rating	Rated Load <sup>1</sup>	
								2' Hanger Spacing	4' Hanger Spacing
Curved Main Tee		16 lb. <sup>3</sup>	31"-44"	6'	1-1/2"	DGW6VTxxx	Class A	—	16.0 lb./LF
		16 lb. <sup>3</sup>	45"-60"	8'	1-1/2"	DGW8VTxxx	Class A	—	16.0 lb./LF
		16 lb. <sup>3</sup>	61"-72"	10'	1-1/2"	DGW10VTxxx	Class A	—	16.0 lb./LF
		16 lb. <sup>3</sup>	73"-91"	10'	1-1/2"	DGW10VTxxx	Class A	—	16.0 lb./LF
		16 lb. <sup>3</sup>	92"-239"	10'	1-1/2"	DGW10VTxxx	Class A	—	16.0 lb./LF
		16 lb. <sup>3</sup>	240"+	12'	1-1/2"	DGW12VTxxx	Class A	—	16.0 lb./LF
Curved Main Tee		16 lb. <sup>3,4</sup>	31"-44"	6'	1-5/8"	DGW6VYxxx	Class A	16.0 lb./LF	—
		16 lb. <sup>3,4</sup>	45"-60"	8'	1-5/8"	DGW8VYxxx	Class A	16.0 lb./LF	—
		16 lb. <sup>3,4</sup>	61"-72"	10'	1-5/8"	DGW10VYxxx	Class A	16.0 lb./LF	—
		16 lb. <sup>3,4</sup>	73"-91"	10'	1-5/8"	DGW10VYxxx	Class A	16.0 lb./LF	—
		16 lb. <sup>3,4</sup>	92"-239"	10'	1-5/8"	DGW10VYxxx	Class A	16.0 lb./LF	—
		16 lb. <sup>3,4</sup>	240"+	12'	1-5/8"	DGW10VYxxx	Class A	16.0 lb./LF	—

See Flat Ceilings (AC3117) for information on straight cross tees, cross channels and moldings.

DGSC180 Splice Clip	DGTC90 Transition Clip	DGC4, DGC6, DGC8 USG Compásso™ Drywall Clip	DGWC Wall Attachment Clip	DGSP180 Splice Plate	DGHUB Dome Hub
8-Spoke Dome		16-Spoke Dome		Dome Vault	

### usgdesignstudio.com or cgcdesignstudio.com

- Online design and specification tools.
- Installation videos.
- Domes and barrel-vault estimator. Additional support available through USG Ceiling Solutions Group for design and estimation of nontypical applications.

### Product literature and samples

Data sheet: AC3118  
System brochure: AC3152

### Material

Min. G40 hot-dipped galvanized steel body and cap.

### Online tools

[usgdesignstudio.com](http://usgdesignstudio.com) or [cgcdesignstudio.com](http://cgcdesignstudio.com)  
Online Dome, Vault, and Vaulted Dome Estimators to assist in material estimation and ordering.

### Limitations

For exterior applications, the suspension system should be reviewed by a structural engineer.

### Installation

Install according to ASTM C636, ASTM E580, CISCA and USG requirements. Alternate installation methods may be used when approved by the authority having jurisdiction.

### Notes

1. For detailing and module loading, request AC3152.
2. Each Main Tee is manufactured to project specific needs and may require an RTQ.
3. As tested per independent testing agency, both vault and valley main tees can carry 16 lb. per lineal foot.
4. As tested per independent testing agency, valleys require hanger wire spacing of 2' o.c.

Manufactured by USG Interiors, LLC  
550 West Adams Street  
Chicago, IL 60661

The trademarks USG, CGC, COMPÁSSEO, SHEETROCK, IT'S YOUR WORLD. BUILD IT., the USG/CGC logo, the design elements and colors, and related marks are trademarks of USG Corporation or its affiliates.

Safety First! Follow good safety/industrial hygiene practices during installation. Wear appropriate personal protective equipment. Read SDS and literature before specification and installation.





# USG DRYWALL SUSPENSION SYSTEM

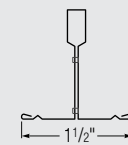
WALL-TO-WALL



USG Wall-to-Wall Drywall Suspension System/USG Sheetrock® Brand Gypsum Panels

TO ORDER SAMPLES, GO TO USG.COM OR CGCINC.COM

**PROFILE**



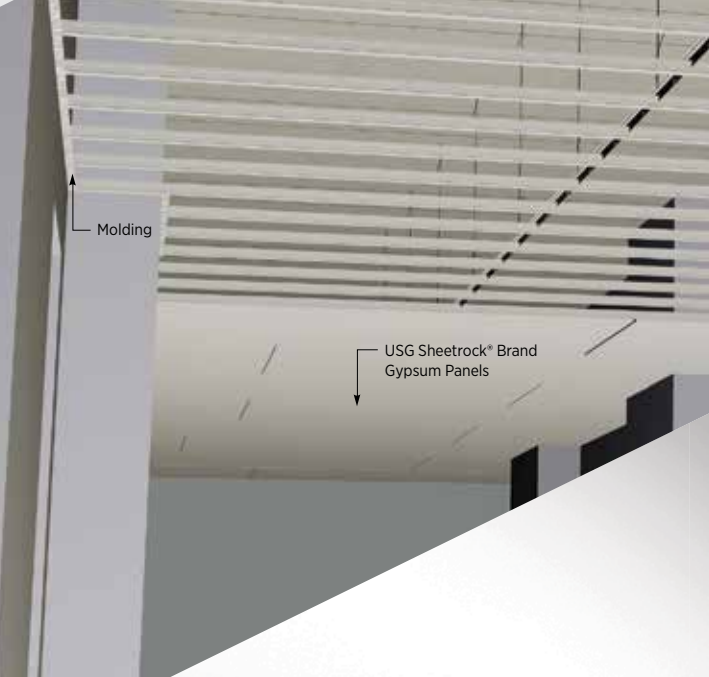
No hanger wires required for spans up to 9'-0" with USG 5/8" Sheetrock® Brand EcoSmart Panels

**FEATURES AND BENEFITS**

- Eliminates hanger wires for spans up to 9'-0" with USG 5/8" Sheetrock® Brand EcoSmart Panels or standard 1/2" thick gypsum panels.
- Simplifies construction for corridors and small rooms.
- Pre-engineered components allow easy transition between ceiling types and elevations.
- Min. G40 hot-dipped galvanized system, G90 available.
- Standard and custom lengths available.
- Manufactured in accordance with ASTM C635.
- ICC-ES Report ESR-4358.

**APPLICATIONS**

- Condominiums and apartments
- Healthcare
- Education
- Hotels
- Dormitories
- Office
- Corridors

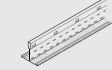


Molding

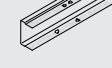
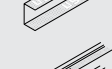
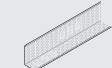
USG Sheetrock® Brand Gypsum Panels

**SYSTEM COMPONENTS**

Straight Tee



Moldings<sup>3</sup>



**PROFILE**

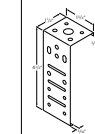
ISB109

**ACCESSORIES**

DGSC180 Splice Clip\*



CMAC-1 Close Mount Attachment Clip



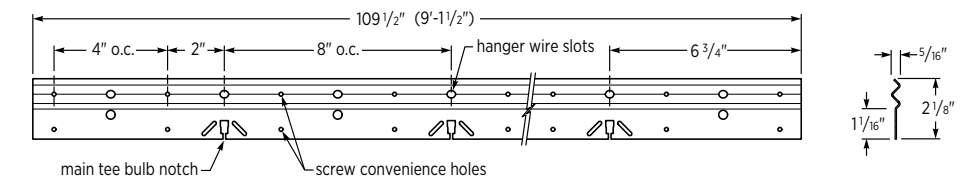
**MEMBRANE LOADS**

Span	O.C. Spacing (in.)	Maximum Load (lb./SF)	VERTICAL SUPPORT	TEE SPACING		Span <sup>2</sup>	Support Requirement
				Teer Spacing	Drywall		
4'	16	26.84		16" o.c.	1/2" (2.0 lbs./SF)	up to 9'	None
	24	17.89				9' 1"-16"	Midspan
5'	16	14.08		16" o.c.	5/8" Sheetrock EcoSmart Firecode X (1.85 lbs./SF)	up to 9'	None
	24	9.38				9' 1"-16"	Midspan
6'	16	8.31		24" o.c.	5/8" Sheetrock EcoSmart Firecode X (1.85 lbs./SF)	up to 9'	None
	24	5.54				9' 1"-16"	Midspan
7'	16	5.32		16" o.c.	5/8" (2.4 lbs./SF)	up to 8'-6"	None
	24	3.55				8' 7" to 16'***	Midspan
7'-6"	16	4.36		24" o.c.	5/8" (2.4 lbs./SF)	up to 8'-6"	None
	24	2.90				8' 7" to 16'***	Midspan
8'	16	3.61		16" o.c.	5/8" (2.4 lbs./SF)	up to 9'	None
	24	2.41				9' 1"-16"	Midspan
8'-6"	16	3.03	24" o.c.	5/8" (2.4 lbs./SF)	up to 9'	None	
	24	2.02			9' 1"-16"	Midspan	
9'	16	2.57	16" o.c.	5/8" (2.4 lbs./SF)	up to 8'	None	
	24	1.71			8' 1"-16"	Midspan	
10'	16	14.08*	24" o.c.	5/8" (2.4 lbs./SF)	up to 8'	None	
	24	9.38*			8' 1"-16"	Midspan	
12'	16	8.31*	16" o.c.	5/8" (2.4 lbs./SF)	up to 8'	None	
	24	5.54*			8' 1"-16"	Midspan	
16'	16	3.61*	24" o.c.	5/8" (2.4 lbs./SF)	up to 8'	None	
	24	2.41*			8' 1"-16"	Midspan	

**Notes**

\*Vertical support at midspan.  
\*\*Two vertical supports at 1/3 point.

Length	Height	Face Width	Item No.	Fire Rating	Load Test Data <sup>1</sup>							
					Simple Span L/240 Uniform Load (lb./LF)							
					4'	5'	6'	7'	7'-6"	8'	8'-6"	9'
6' 8' 10' 12' 14' Custom	1.617"	1-1/2"	DGW26s	Class A	35.79	18.77	11.07	7.09	5.81	4.82	4.04	3.43
12'	1-1/2"	1"	DGWM24	—	—	—	—	—	—	—	—	—
12'	1-5/8"	1"	DGCM27	—	—	—	—	—	—	—	—	—
12'	1-3/4"	1"	DGLC-12	—	—	—	—	—	—	—	—	—



DGSC180 Splice Clip\*

CMAC-1 Close Mount Attachment Clip

\* See AC3152 for additional main tee splice options.

# USG DRYWALL SUSPENSION SYSTEM

## WALL-TO-WALL

**ORDER SAMPLES/LITERATURE**  
 USG: usg.com or samplit@usg.com  
 CGC: contact Sales Representative

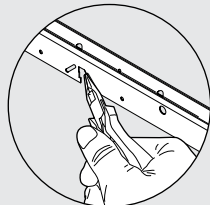
**FOR MOST UP-TO-DATE TECHNICAL INFORMATION AND LEED REPORT TOOL**  
 usgdesignstudio.com  
 cgcdesignstudio.com

**30 YEAR LIMITED SYSTEM WARRANTY**  
 • No Visible Sag  
 • Mold/Mildew Protection

### USG INDEXED SUPPORT BAR ISB109 PROPERTIES

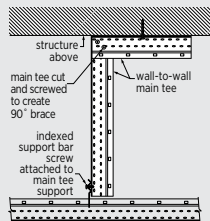
- Support spacing - 48" o.c. (hanger wires or other types such as steel studs or main tees).
- Main tee bulb notches spaced 8" o.c.
- Index notch to main tee pullout strength - 300 lb.
- Min. G40 hot-dipped galvanized steel.

### TYPICAL INSTALLATION



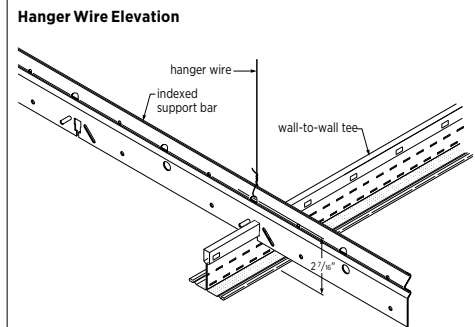
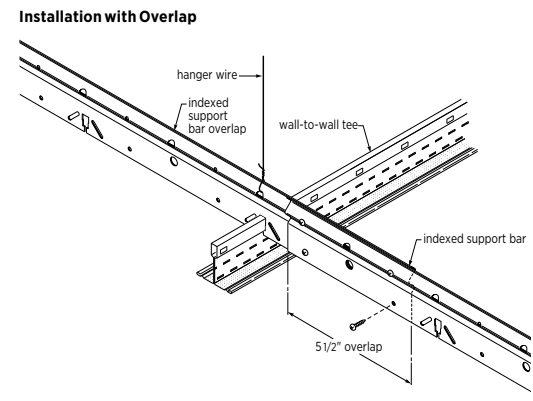
Use pliers to open tab on stabilizer bar, once in place close tab to lock in place.

### RECOMMENDED SUPPORT METHOD

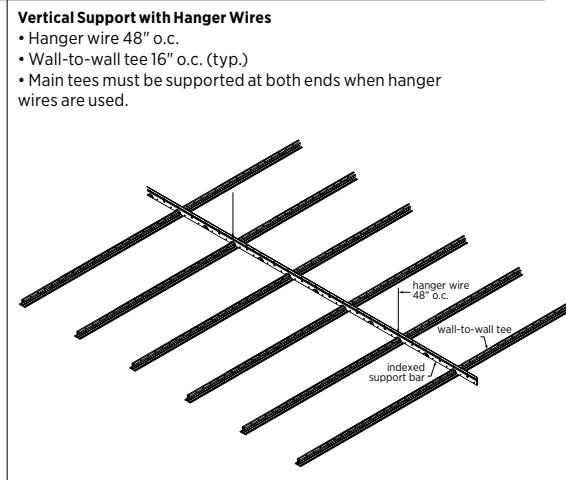
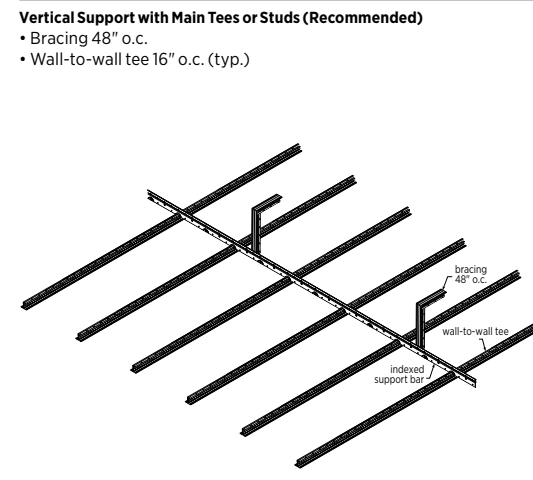


No blub means flush attachment when framing members are used for vertical support.

### PHYSICAL DATA/ FOOTNOTES



**Note**  
 Main tees must be supported at both ends when hanger wires are used



**Product literature and samples**  
 Data sheet: AC3230  
 System brochure: AC3152

**Finishes**  
 Galvanized.

**Online tools**  
 usgdesignstudio.com or cgcdesignstudio.com

**Material**  
 Min. G40 double-web tee, G40 hot-dipped galvanized steel.

**Installation**  
 Install according to ASTM C636, ASTM E580, ASTM C754, CISCA and USG requirements. Alternate installation methods may be used when approved by the authority having jurisdiction.

- Notes**
1. Load test data shows uniform load in lb./LF based on simple span tests in accordance with ASTM deflection limit on L/240.
  2. Spans greater than 14' require main tee splice. Use DGSC180 splice clip or alternative splicing options described in system brochure AC3152.
- Attachment to wall structure is required.
  - Members conform to performance standard C645.
  - ISB109 for use with USG Wall-to-Wall System only. Main tees must be supported on both ends.
  - ISB109 must not be used to cantilever main tees.
  - Refer to system brochure AC3152 for list of USG Sheetrock® Brand Panel weights (lb./SF)

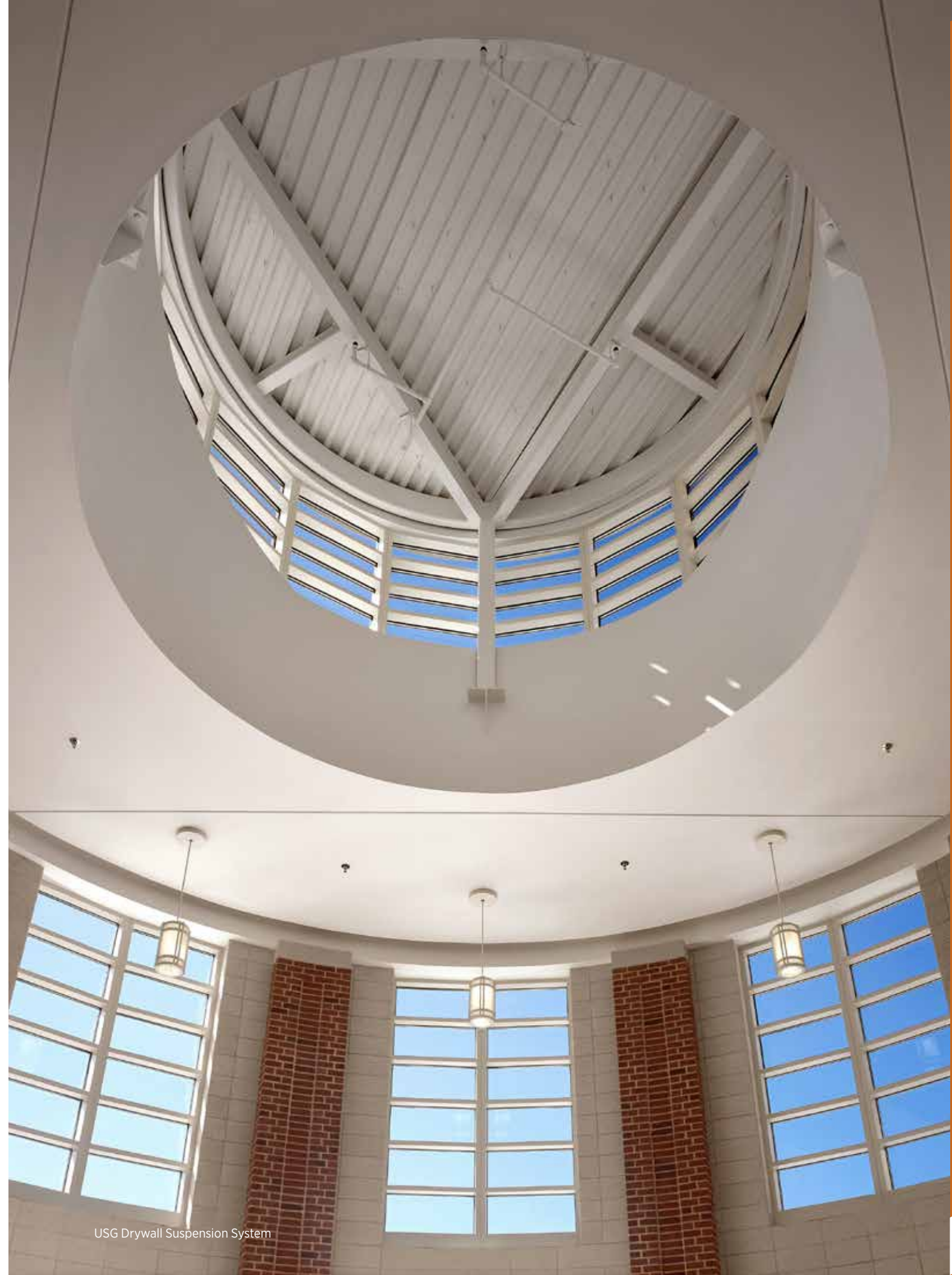
**Notice**  
 The information in this document is subject to change without notice. CGC Inc. or USG Corp. assumes no responsibility for any errors that may inadvertently appear in this document.

AC3230/rev. 6-22  
 © 2022 USG Corporation and/or its affiliates. All rights reserved. Printed in U.S.A.

Manufactured by USG Interiors, LLC  
 550 West Adams Street  
 Chicago, IL 60661

The trademarks USG, CGC, SHEETROCK, IT'S YOUR WORLD, BUILD IT, the USG/CGC logo, the design elements and colors, and related marks are trademarks of USG Corporation or its affiliates.

Safety First! Follow good safety/industrial hygiene practices during installation. Wear appropriate personal protective equipment. Read SDS and literature before specification and installation.

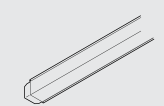


USG Drywall Suspension System

# USG DONN® BRAND M7 OVERLAPPING WALL ANGLE



## MOLDING<sup>1,2</sup>



**PERFORMANCE COMPARISON**  
USG Donn® Brand M7 Overlapping Wall Angle

Traditional Wall Angle

# USG DONN® BRAND M7 OVERLAPPING WALL ANGLE

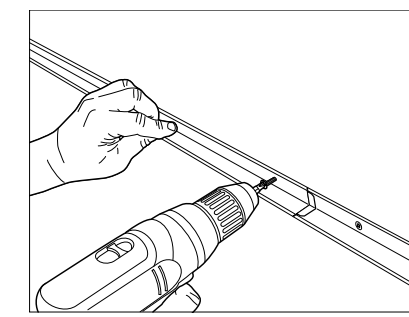
**30 YEAR LIMITED SYSTEM WARRANTY**  
• No Visible Sag  
• Mold/Mildew Protection

**ORDER SAMPLES/LITERATURE**  
USG: usg.com or samplit@usg.com  
CGC: contact Sales Representative

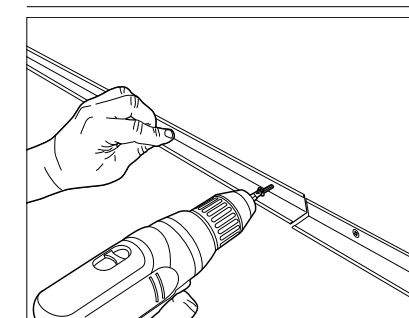
**FOR MOST UP-TO-DATE TECHNICAL INFORMATION AND LEED REPORT TOOL**  
usgdesignstudio.com  
cgcdesignstudio.com

**TECHNICAL SERVICES**  
800.USG.4YOU (874-4968)

Wall Angle <sup>2</sup>	Length	Item No.	Color
	12' 3600 mm	M7	Flat White Standard Advantage



Overlap detail sits on adjacent trim, providing extra support for quicker, easier installation. The overlap ensures that trim faces are level, and it eliminates the unsightly gap created by traditional butt joints.



With no support between lengths of trim, traditional wall angle is more difficult to install. Butt-cut wall angle is also subject to misalignment of trim faces and gaps at joints.

**Low Emissions (VOC)**  
CDPH 01350 v1.2-2017 compliance on select finishes, see usg.com for more details and documentation.

**Product literature and samples**  
Data sheet: AC3270

**Material**  
Hot-dipped galvanized steel body. Baked-on polyester paint.

**Installation**  
Install according to ASTM C636, ASTM E580, CISCA and USG requirements. Alternate installation methods may be used when approved by the authority having jurisdiction.

**Online tools**  
usgdesignstudio.com or cgcdesignstudio.com

**ICC Evaluation Service, LLC Report Compliance**  
For areas under ICC jurisdiction, see ICC-ES Evaluation Report ESR-1222 for allowable values and conditions of use. Reports are subject to reexamination, revision and possible cancellation. Refer to usg.com for most current version.

**LA Research Report - RR 25764**  
Refer to usg.com for most current version.

**Notes**  
1. For more information about moldings, see the Perimeter Interface selector.  
2. Panels must be field-cut to size and field-revealed, where necessary, at the perimeter.

TO ORDER SAMPLES, GO TO USG.COM OR CGCINC.COM

**STANDARD COLORS**

Flat White 050	Parchment 103	Manila 246	Straw 143	Sandstone 090	Taupe 107	Charcoal 534
Flat Black 205	Silver Satin 002	Chrome 066				

**ADVANTAGE COLORS**

Breeze 2659	Blue Grey 564	Azure 2660	Slate 568	Spruce 567	Tuscany 2663	Sorbet 2658
Squash 2661	Safari 2662	Redwood 566	Sienna 565	Halo 206	Mist 053	Nectar 546
Quartz 082	Beige 142	Silvertone 052				

**POWDER-COATED FINISH**

Powder White 3767						

- FEATURES AND BENEFITS**
- Proprietary overlap detail provides an “extra hand” for easier, more accurate installation.
  - Ensures that trim faces are level.
  - Eliminates an unsightly gap at butt joints.
  - Installs faster than standard perimeter trim.

- APPLICATIONS**
- All interior general-use areas

**Notice**  
The information in this document is subject to change without notice. CGC Inc. or USG Corp. assumes no responsibility for any errors that may inadvertently appear in this document.

**AC3270/rev. 6-22**  
© 2022 USG Corporation and/or its affiliates. All rights reserved. Printed in U.S.A.

Manufactured by USG Interiors, LLC 550 West Adams Street Chicago, IL 60661

The trademarks USG, CGC, DONN, IT'S YOUR WORLD, BUILD IT, the USG/CGC logo, the design elements and colors, and related marks are trademarks of USG Corporation or its affiliates.

Safety First! Follow good safety/industrial hygiene practices during installation. Wear appropriate personal protective equipment. Read SDS and literature before specification and installation.



# USG DONN® BRAND TRANSITION MOLDING

## DRYWALL TO ACOUSTICAL CEILING TRANSITION MOLDING



USG Donn® Brand DXT™ Transition Molding with USG Mars™ Acoustical Panels/USG Donn® Brand Fineline® DXF™ Acoustical Suspension System

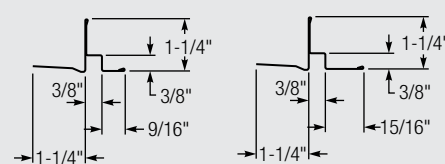
TO ORDER SAMPLES, GO TO [USG.COM](http://USG.COM) OR [CGCINC.COM](http://CGCINC.COM)

### USG DONN® BRAND TRANSITION MOLDING COLOR



Flat White  
050

### PROFILE



### FEATURES AND BENEFITS

- Roll-formed, hot-dipped galvanized steel trims for creating transitions between drywall and acoustical ceilings.
- One-piece acoustical wall molding with an integrated drywall taping flange.
- Eliminates the need to construct drywall fascias for wall molding attachment.
- Taping flange is knurled and perforated to accept joint compound.
- Factory painted to match USG Donn® Brand acoustical suspension systems.
- Compatible with all USG Donn® Brand and USG Drywall suspension systems.

### APPLICATIONS

- Contemporary offices
- Entertainment
- Hospitality
- Healthcare
- Retail
- Education

### COMPONENTS

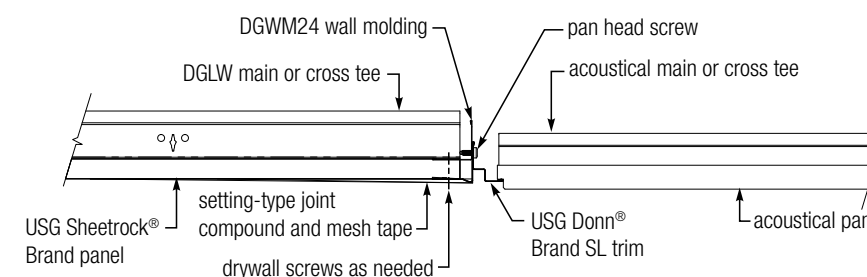
USG Donn® Brand SL DXT™

USG Donn® Brand SL DX®

### INSTALLATION DETAILS

Shadowline USG Donn® Brand Transition Molding, Drywall to Acoustical Assembly Elevation

Profile	Item Number	Exposed Leg	Reveal	Length	Pieces/Carton	LF/Carton
	CPDWA9120	9/16"	3/8" x 3/8"	120"	12	120
	CPDWA15120	15/16"	3/8" x 3/8"	120"	12	120



### Low Emissions (VOC)

CDPH 01350 v1.2-2017 compliance on select finishes, see [usg.com](http://usg.com) for more details and documentation.

1. Embed mesh tape over flange with setting-type joint compound.
2. Apply second coat of setting-type or ready-mixed joint compound.
3. Apply third coat if needed.

### Note:

For complete installation instructions, refer to installation guide AC3318.

**Product literature and samples**  
Data sheet: AC3315  
Installation guide: AC3318  
Sample: 259401

**Online tools**  
[usgdesignstudio.com](http://usgdesignstudio.com) or [cgcdesignstudio.com](http://cgcdesignstudio.com)

**Material**  
Min. G30 hot-dipped galvanized steel.  
Baked-on polyester paint.

**Note**  
For availability in Canada, please contact your local sales representative.

### Notice

The information in this document is subject to change without notice. CGC Inc. or USG Corp. assumes no responsibility for any errors that may inadvertently appear in this document.

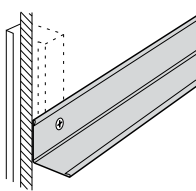
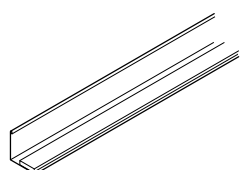
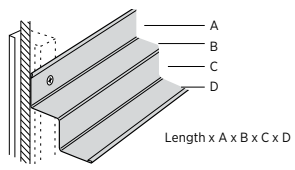
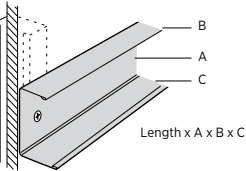
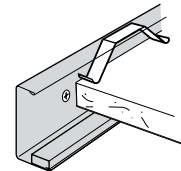
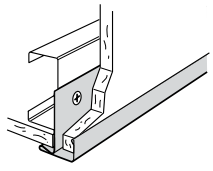
AC3315/rev. 6-22  
© 2022 USG Corporation and/or its affiliates. All rights reserved. Printed in U.S.A.

Manufactured by USG Interiors, LLC  
550 West Adams Street  
Chicago, IL 60661

The trademarks USG, CGC, DONN, DX, DXF, DXT, FINELINE, MARS, SHEETROCK, IT'S YOUR WORLD. BUILD IT., the USG/CGC logo, the design elements and colors, and related marks are trademarks of USG Corporation or its affiliates.

Safety First! Follow good safety/industrial hygiene practices during installation. Wear appropriate personal protective equipment. Read SDS and literature before specification and installation.

# USG SUSPENSION SYSTEMS ACCESSORIES—MOLDINGS

<b>Angle Molding</b> Use for standard ceiling perimeters. 	<b>Angle Molding w/Gasket M7CE</b> Use in Clean Room applications with USG Donn® Brand CE™ Acoustical Suspension System. 	<b>Shadow Molding</b> For creating reveals at ceiling perimeters. Also helps to hide imperfections in drywall partitions and bulkheads. 
<b>US Channel Wall Molding</b> Use with C-8 clip to hold down perimeter ceiling panels. 	<b>US Channel Wall Molding w/Gasket US28CE</b> Use with C-8 clip in Clean Room applications with USG Donn® Brand CE™ Acoustical Suspension System. 	<b>F-Molding</b> Use to create ceiling breaks, soffits and changes in elevation. 

Catalog Number	Description	Packaging/Ctn.		
		LF	Pcs.	Wt. (lb.)
M7 <sup>1</sup>	12'x7/8"x7/8" Wall Molding	480	40	63
M7OL	12'x7/8"x7/8" Overlapping Wall Molding	480	40	63
M7A	12'x7/8"x7/8" Aluminum Wall Molding	480	40	26
M7-10	10'x7/8"x7/8" Wall Molding	400	40	26
M7SS	12'x7/8"x7/8" Stainless Steel Wall Molding	240	20	31
M7Z	12'x7/8"x7/8" Hot-Dipped Galvanized Steel Wall Molding	480	40	58
M7CE	12'x7/8"x7/8" Wall Molding w/gaskets	240	48	59
M9 <sup>1</sup>	12'x9/16"x15/16" Wall Molding	480	40	55
M9-10	10'x9/16"x15/16" Wall Molding	400	40	23
M12	10'x1"x1-1/2" Wall Molding	250	25	63
M18	12'x7/8"x1-1/8" Wall Molding	240	20	40
MC11A25	10'x1"x1" Steel Molding with Aluminum Cap	250	25	39
M20SM	10'x1"x2" Heavy Duty Wall Molding	250	25	80
M20SM-2	10'x2"x2" Wall Molding	200	20	76
M20 <sup>2</sup>	10'x1"x2" Wall Molding	250	25	55
MS125	12'x15/16"x1/4"x1/4"x9/16" (Side 1) 12'x9/16"x1/4"x1/4"x15/16" (Side 2)	300	25	46
MS144	12'x3/4"x3/8"x1/2"x3/4" (Side 1) 12'x3/4"x1/2"x3/8"x3/4" (Side 2)	300	25	48
MS154 <sup>3</sup>	12'x7/8"x3/4"x3/4"x7/8"	300	25	67
MS164	12'x3/4"x3/4"x3/4"x3/4"	300	25	62
MS174 <sup>3</sup>	12'x7/8"x3/8"x3/8"x9/16" (Side 1) 12'x9/16"x3/8"x3/8"x7/8" (Side 2)	300	25	43
MS274	10'x7/8"x3/4"x9/32"x1-1/4"	200	20	54
US8	10'x1/2"x1/2"x1" U-Molding	100	10	8
US12	10'x3/4"x1/2"x1" U-Molding	500	50	44
US20	10'x1-1/4"x1/2"x1" U-Molding	300	30	57
UA25-10	10'x1-9/16"x1/2"x1" Aluminum U-Molding	100	10	11
UA25-30	10'x1-9/16"x1/2"x1" Aluminum U-Molding	300	30	33
UA25CE	10'x1-9/16"x1/2"x1" Aluminum U-Wall Controlled Environment	300	30	33
US28	10'x1-11/16"x1/2"x1" U-Molding	300	30	63
US28CE	10'x1-11/16"x1/2"x1" U-Molding w/gaskets, Flat White	300	30	63
US31	10'x1-15/16"x1/2"x1" U-Molding	300	30	70
UA31	10'x1-15/16"x1/2"x1" Aluminum U-Molding	300	30	34
U-2-3/32	12'x2-3/32"x7/8"x1-1/8" Aluminum U-Molding, Flat White	360	30	90

- Notes**
- M7 and M9 available in standard and advantage colors in half carton quantities only, 240 LF per carton.
  - Not all M20 moldings are available in all areas. Please contact your USG Sales Representative.
  - MS154 and MS174 available with exposed horizontal leg painted a color.

## ANGLE MOLDING

**SHADOW MOLDING**  
 Length x A x B x C x D  
 (See illustration above)

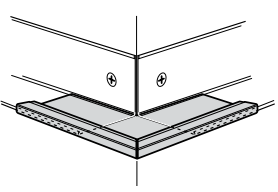
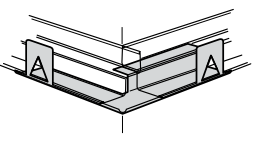
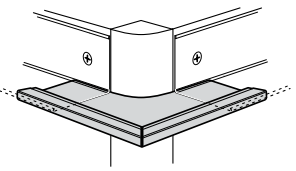
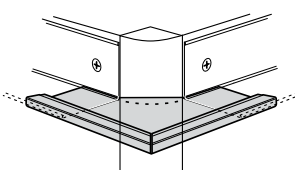
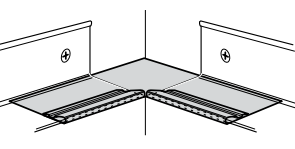
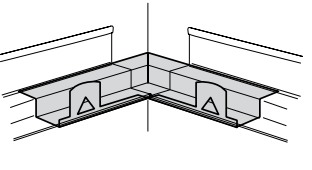
## US CHANNEL WALL MOLDING

# USG SUSPENSION SYSTEMS ACCESSORIES MOLDINGS

ORDER SAMPLES/LITERATURE  
 USG: usg.com or samplit@usg.com  
 CGC: contact Sales Representative

FOR MOST UP-TO-DATE  
 TECHNICAL INFORMATION  
 AND LEED REPORT TOOL  
 usgdesignstudio.com  
 cgcdesignstudio.com

TECHNICAL SERVICES  
 800 USG-4YOU (874-4968)

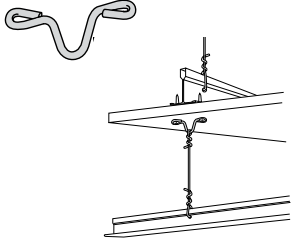
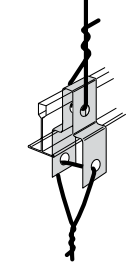
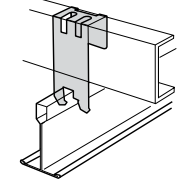
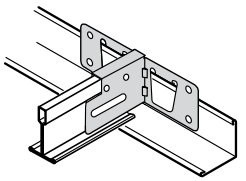
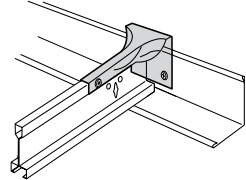
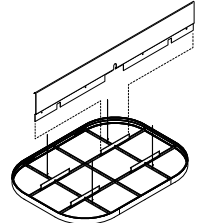
<b>Square Molding Corner Clip JS</b> Use with angle molding. 	<b>Outside Corner JS174</b> Use with MS174 Shadow Molding. JS274 also available for MS274. 	<b>Radius Molding Corner Clip JH, JB</b> For radius or "bullnose" corners. 
<b>Field-Modified Corner JM16</b> Cut-out clip to fit field condition. 	<b>Inside Corner Angle Mold A2</b> Use with angle molding. 	<b>Prefabricated Inside Corner A174</b> Use with MS174 Shadow Molding. A274 also available for MS274. 

Catalog Number	Description	Packaging/Ctn.	
		Pcs.	Wt. (lb.)
JS9	Square 90° Outside Corner Cap for 9/16" Molding	100	3.0
JS12	Square 90° Outside Corner Cap for 3/4" Molding	100	3.0
JS14	Square 90° Outside Corner Cap for 7/8" Molding	100	3.0
JS16	Square 90° Outside Corner Cap for 1" Molding	100	3.0
JS174	Square 90° Outside Corner Cap for MS174 Shadow Molding	50	1.5
JS274	Square 90° Outside Corner Cap for MS274 Shadow Molding	50	1.5
JH9	1" Radius 90° Outside Corner Cap for 9/16" Molding	100	3.0
JH12	1" Radius 90° Outside Corner Cap for 3/4" Molding	100	3.0
JH14	1" Radius 90° Outside Corner Cap for 7/8" Molding	100	3.0
JH15	1" Radius 90° Outside Corner Cap for 15/16" Molding	100	3.0
JH16	1" Radius 90° Outside Corner Cap for 1" Molding	100	3.0
JB12	3/4" Radius 90° Outside Corner Cap for 3/4" Molding	100	3.0
JB14	3/4" Radius 90° Outside Corner Cap for 7/8" Molding	100	3.0
JB16	3/4" Radius 90° Outside Corner Cap for 1" Molding	100	3.0
JM16	Field-Modified Corner for 1" Molding	100	3.0
A2	Inside Corner Cap for 7/8" Molding	200	4.0
A174	Inside Corner Cap for MS174 Shadow Molding	50	1.5
A274	Inside Corner Cap for MS274 Shadow Molding	50	1.5

## OUTSIDE CORNERS

## INSIDE CORNERS

# USG SUSPENSION SYSTEMS ACCESSORIES—GRID INSTALLATION

<p><b>Drywall Grid Hanger Clip</b> A</p> <p>To suspend secondary ceiling.</p> 	<p><b>Grid Load Transfer Bracket</b> B</p> <p>To suspend secondary ceiling.</p> 	<p><b>Furring Clip for Grid to Channel</b> C</p> <p>Connect grid to 1-1/2" channel.</p> 
<p><b>Seismic Attachment Clip for Perimeter Conditions</b> D</p> <p>Attach tee ends at the perimeter in seismic design categories C, D, E and F.</p> 	<p><b>Molding Attachment Clip</b> E</p> <p>Attach tees to angle molding and shadow molding.</p> 	<p><b>Ceiling Cloud Suspension Brace</b> G</p> <p>For moving hanger wires away from ceiling cloud perimeters.</p> 

Catalog Number	Description	Packaging/Ctn.		Detail Key
		Pcs.	Wt. (lb.)	
DGHC	Drywall Grid Hanger Clip	100	1.5	A
256860	Grid Load Transfer Bracket, 15/16" grid	250	13	B
256861	Grid Load Transfer Bracket, 9/16" grid	250	13	B
256862	Grid Load Transfer Bracket, 1-1/2" grid	250	13	B
V-14	Furring Clip for Grid to Channel	500	45	C
ACM7	Seismic Perimeter Attachment Clip	100	7	D
MAC2	Molding Attachment Clip	100	3	E
TSB-24	Ceiling Cloud Suspension Brace, 23-1/2" Bare Galvanized or Flat Black	10	12.5	G

**Notes**

1. Please refer to usg.com or cgcinc.com for more information about seismic applications with the ACM7 seismic clip.

GRID TO PRIMARY SUPPORT

GRID TO MOLDING<sup>1</sup>

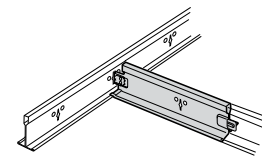
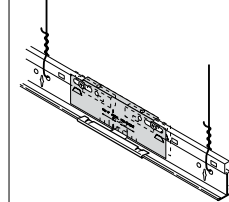
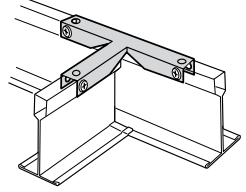
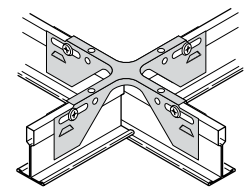
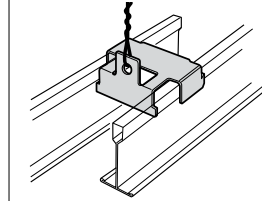
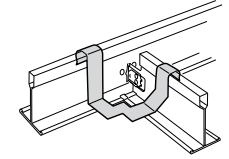
CEILING CLOUD SUSPENSION BRACE

## USG SUSPENSION SYSTEMS ACCESSORIES GRID INSTALLATION

ORDER SAMPLES/LITERATURE  
USG: usg.com or sampllit@usg.com  
CGC: contact Sales Representative

FOR MOST UP-TO-DATE TECHNICAL INFORMATION AND LEED REPORT TOOL  
usgdesignstudio.com  
cgcdesignstudio.com

TECHNICAL SERVICES  
800 USG-4YOU (874-4968)

<p><b>MT/CT Converter</b> F</p> <p>Changes main-tee direction 90° from adjacent main tee.</p> 	<p><b>Two-Way Seismic Separation Joint Clip</b> G1</p> <p>For seismic separation joints in IBC Seismic Design Categories D, E and F.</p> 	<p><b>Three-Way Off-Module Connector</b> G2</p> <p>Use with cross tees and main tees that are the same height.</p> 
<p><b>Four-Way Seismic Separation Joint Clip</b> H</p> <p>For seismic separation joints in IBC Seismic Design Categories D, E and F.</p> 	<p><b>Paired Main Tee Clip</b> I</p> <p>Use for linear air diffusers; use only with USG Donn® Brand DX/DXL™ DXLA™ ZCLA™, Finline® DXF™ and Finline® 1/8 DXFF™.</p> 	<p><b>Light-Fixture Clip</b> J</p> <p>For USG Donn® Brand Centricitee™ DXT™/DXLT™ suspension system, use black clips with parabolic fixtures. Cross tee must be connected to main tee.</p> 

Catalog Number	Description	Packaging/Ctn.		Detail Key
		Pcs.	Wt. (lb.)	
DXMT/CT	9"x1-1/2" MT/CT Converter—changes MT direction for DX/DXL grid.	75	13	F
DH2 <sup>1</sup>	Two-Way Seismic Separation Joint Clip	100	2	G1
DH3	Three-Way Off-Module Connector	100	3	G2
DH4 <sup>2</sup>	Four-Way Seismic Separation Joint Clip	100	4	H
V-32	Paired Main Tee Clip (2" separation center-to-center)	100	3	I
LFC	Light-Fixture Hold-Down Clip—for 9/16" grid	100	2	J

**Notes**

1. Please refer to Submittal Sheet AC3301 for more information about the DH2 two-way seismic separation joint clip.  
2. Please refer to Submittal Sheet AC3271 for more information about the DH4 four-way seismic separation joint clip.

TEE TO TEE


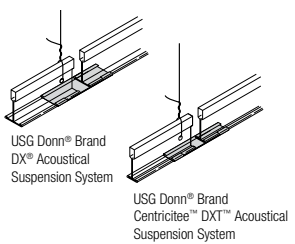
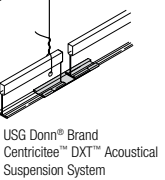
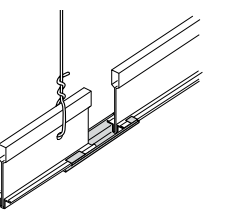
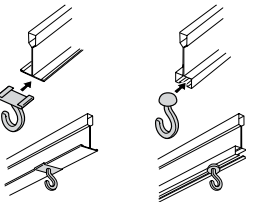
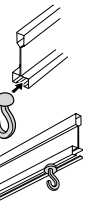
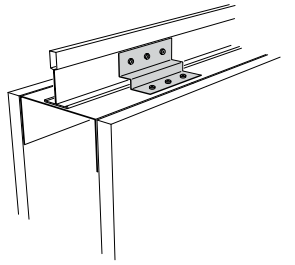
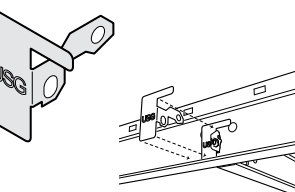
LIGHT-FIXTURE CLIP

# USG SUSPENSION SYSTEMS ACCESSORIES GRID INSTALLATION

ORDER SAMPLES/LITERATURE  
USG: usg.com or samplit@usg.com  
CGC: contact Sales Representative

FOR MOST UP-TO-DATE  
TECHNICAL INFORMATION  
AND LEED REPORT TOOL  
usgdesignstudio.com  
cgcdesignstudio.com

TECHNICAL SERVICES  
800 USG-4YOU (874-4968)

<p><b>Compression Post Clips</b> K</p> <p>Top clip and bottom end plug for 3/4" conduit. Conduit not included.</p> 	<p><b>Tee Face Sleeve</b> L1</p> <p>To cut in tees to existing system and for separation joints.</p>  <p>USG Donn® Brand DX® Acoustical Suspension System</p>  <p>USG Donn® Brand Centricitee™ DXT™ Acoustical Suspension System</p>	<p><b>Tee Face Sleeve</b> L2</p> <p>To cut in tees to existing system and for separation joints.</p> 
<p><b>Accessory Hanger Hook</b><sup>2</sup> M</p> <p>Remove top clip for use with standard 1/4" USG Donn® Brand Finline® Acoustical Suspension System.</p>  <p>USG Donn® Brand DX® Acoustical Suspension System</p>  <p>USG Donn® Brand Finline® DXF™ Acoustical Suspension System</p>	<p><b>Universal Partition Attachment Clip</b> N1</p> <p>Reversible for use with all USG Donn® Brand grid types.</p> 	<p><b>Unopposed Tee Attachment Clip</b> N2</p> <p>Used to securely attach unopposed cross tees to main tees. Seismic compliant. Requires pop rivet.</p> 

Catalog Number	Description	Packaging/Ctn.		Detail Key
		Pcs.	Wt. (lb.)	
CPC34	25 Each Top Clip and Bottom Plug, Makes 25 Posts	50	2.0	K
TFS-1	Tee Face Sleeve (3" long) for 15/16" USG Donn® Brand DX®/DXL™ Acoustical Suspension System	100	10	L1
TFS-2	Tee Face Sleeve (3" long) for 9/16" USG Donn® Brand Centricitee™ DXT™ Acoustical Suspension System	100	3	L1
TFS-3	Tee Face Sleeve (3" long) for USG Donn® Brand Finline® DXF™ Acoustical Suspension System with 1/4" Reveal	250	4	L1
TFS-4	Tee Face Sleeve (3" long) for USG Donn® Brand Finline® 1/8 DXFF™ Acoustical Suspension System with 1/8" Reveal	250	4	L1
TFS-5	Tee Face Sleeve (3" long) for USG Donn® Brand Identitee® DXI™ Acoustical Suspension System with 1/8" Reveal	100	4	L2
TFS-5 DXI FC	Tee Face Intersection sleeve (3" long) for USG Donn® Brand Identitee® DXI™ Acoustical Suspension System with 1/8" Reveal	250	4	L2
AH1	Accessory Hanger Hook (white, injection molded)	50	1	M
UPAC-1	Universal Partition Attachment Clip for SQ and reveal edge panels	100	8	N1
UTAC	Unopposed Tee Attachment Clip	100	5	N2

- Notes**
- The USG Donn® Brand Identitee® DXI™ Tee-Face Intersection Sleeve (TFS-5 DXI FC) is used for off-module intersections to maintain the clean, uninterrupted aesthetic of the grid profile.
  - Whenever possible the accessory hanger hook should be installed on a main tee. If an accessory hanger hook is installed on a main tee, the load should not exceed 10 lb. without installing a supplementary hanger wire support to the structure at the location of the hanger hook. If an accessory hanger hook is installed on a cross tee, the load should not exceed 4 lb. without installing a supplementary hanger wire support to the structure at the location of the hanger hook. The accessory hanger hook is not designed to support loads exceeding 30 lb.

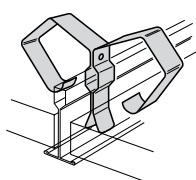
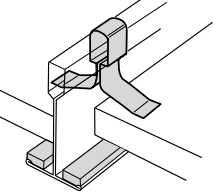
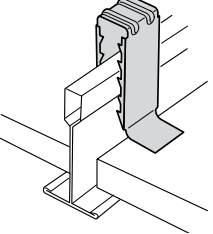
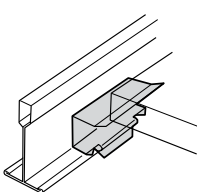
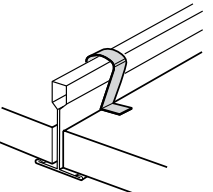
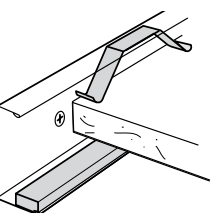
COMPRESSION POST CLIPS  
TEE ACCESSORIES

# USG SUSPENSION SYSTEMS ACCESSORIES GRID INSTALLATION

ORDER SAMPLES/LITERATURE  
USG: usg.com or samplit@usg.com  
CGC: contact Sales Representative

FOR MOST UP-TO-DATE  
TECHNICAL INFORMATION  
AND LEED REPORT TOOL  
usgdesignstudio.com  
cgcdesignstudio.com

TECHNICAL SERVICES  
800 USG-4YOU (874-4968)

<p><b>Panel Retention Clip 20428</b><sup>1</sup> N3</p> <p>Attaches to 1-1/2" main tees and cross tees behind lay-in ceilings. The retention clips help prevent panel displacement from incidental contact. Recommended with USG Rock Face® Acoustical Panels for impact-resistant systems.</p> 	<p><b>Hold-Down Clip</b> O1</p> <p>To maintain a Clean Room seal.</p> 	<p><b>Variable Locking Hold-Down Clip</b> O2</p> <p>Use as a locking hold-down clip for various acoustical and metal panels.</p> 
<p><b>Accessible Hold-Down Clip</b> P</p> <p>Use as a hold-down clip for 5/8" panels. Provides ready accessibility.</p> 	<p><b>Variable Hold-Down Clip</b> Q</p> <p>For 5/8" to 3/4" panels.</p> 	<p><b>Wall Spring Clip</b> R</p> <p>To hold down perimeter ceiling panels. Useful for maintaining Clean Room seal with US28CE molding.</p> 

Catalog Number	Description	Packaging/Ctn.		Detail Key
		Pcs.	Wt. (lb.)	
20428	Attaches to 1-1/2" main tees and cross tees behind lay-in ceilings. The retention clips help prevent panel displacement from incidental contact. Recommended with USG Rock Face® Acoustical Panels for impact-resistant systems. Recommended for panels 7/8" and thicker.	200	17	N3
L15	Hold Down Clip - for 5/8" rated panels	1000	7	O1
L15CE	Hold Down Clip - for 5/8" panels w/ Gaskets	500	3.5	O1
PZ	Variable Locking Hold-Down Clip	100	1	O2
L45	Accessible Hold-Down Clip for 5/8" panels	1000	15	P
V15	Variable Hold-Down Clip	1000	8	Q
C-8	Wall Spring Clip	2000	29	R
C-8CE	Wall Spring Clip - for panels w/ Gaskets	500	7.5	R

- Notes**
- For more information about the Keep Clip™ from American Retention Components, Inc., please visit [www.retentionclip.com](http://www.retentionclip.com).

PANEL RETENTION CLIP  
HOLD-DOWN CLIPS

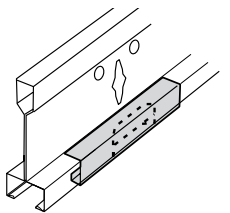
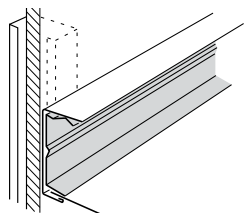
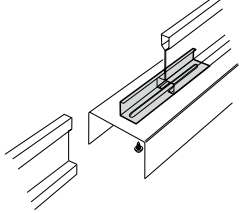
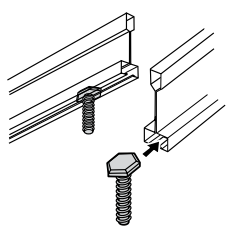
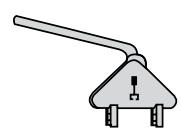
Suspension Systems

**USG SUSPENSION SYSTEMS  
ACCESSORIES - FINELINE®**

ORDER SAMPLES/LITERATURE  
USG: usg.com or samplit@usg.com  
CGC: contact Sales Representative

FOR MOST UP-TO-DATE  
TECHNICAL INFORMATION  
AND LEED REPORT TOOL  
usgdesignstudio.com  
cgcdesignstudio.com

TECHNICAL SERVICES  
800 USG.4YOU (874-4968)

<p><b>Miter Closure Clip for USG Donn® Brand Fineline® Acoustical Suspension System</b> S</p> <p>For closing off unused miters.</p> 	<p><b>USG Celebration™ Hold-Down Channel Clip</b> T</p> 	<p><b>Partition Attachment Clip</b> U</p> <p>To screw-attach ceiling-height partitions.</p> 																																										
<p><b>T-Bolt</b> V</p> <p>To bolt-attach partitions, signage or pendant-mounted indirect lighting.</p> 	<p><b>USG Donn® Brand Fineline® Acoustical Suspension System Cut-Off Die</b> W</p> <p>Use to field-cut USG Donn® Brand Fineline® tees.</p> 																																											
<table border="1"> <thead> <tr> <th rowspan="2">Catalog Number</th> <th rowspan="2">Description</th> <th colspan="2">Packaging/Ctn.</th> <th rowspan="2">Detail Key</th> </tr> <tr> <th>Pcs.</th> <th>Wt. (lb.)</th> </tr> </thead> <tbody> <tr> <td>MCC3</td> <td>2" Miter Closure Clip for 1/8" USG Donn® Brand Fineline® Acoustical Suspension System</td> <td>50</td> <td>1</td> <td>S</td> </tr> <tr> <td>MCC2</td> <td>2" Miter Closure Clip for standard USG Donn® Brand Fineline® Acoustical Suspension System</td> <td>50</td> <td>1</td> <td>S</td> </tr> <tr> <td>T15</td> <td>10"x11/32"x1-9/16"x3/4" Panel Hold-Down Clip</td> <td>500</td> <td>30</td> <td>T</td> </tr> <tr> <td>U-2-3/32</td> <td>10"x11/32"x2-3/32"x3/4" Panel Hold-Down Clip</td> <td>500</td> <td>30</td> <td>T</td> </tr> <tr> <td>PAC1</td> <td>3" Partition Attachment Clip</td> <td>50</td> <td>1</td> <td>U</td> </tr> <tr> <td>TB1</td> <td>1"x1/4"-20 T-Bolt</td> <td>100</td> <td>1</td> <td>V</td> </tr> <tr> <td>FC1</td> <td>USG Donn® Brand Fineline® Acoustical Suspension System Cut-Off Die (scaffold mount)</td> <td>1</td> <td>10</td> <td>W</td> </tr> </tbody> </table>	Catalog Number	Description	Packaging/Ctn.		Detail Key	Pcs.	Wt. (lb.)	MCC3	2" Miter Closure Clip for 1/8" USG Donn® Brand Fineline® Acoustical Suspension System	50	1	S	MCC2	2" Miter Closure Clip for standard USG Donn® Brand Fineline® Acoustical Suspension System	50	1	S	T15	10"x11/32"x1-9/16"x3/4" Panel Hold-Down Clip	500	30	T	U-2-3/32	10"x11/32"x2-3/32"x3/4" Panel Hold-Down Clip	500	30	T	PAC1	3" Partition Attachment Clip	50	1	U	TB1	1"x1/4"-20 T-Bolt	100	1	V	FC1	USG Donn® Brand Fineline® Acoustical Suspension System Cut-Off Die (scaffold mount)	1	10	W		
Catalog Number			Description	Packaging/Ctn.		Detail Key																																						
	Pcs.	Wt. (lb.)																																										
MCC3	2" Miter Closure Clip for 1/8" USG Donn® Brand Fineline® Acoustical Suspension System	50	1	S																																								
MCC2	2" Miter Closure Clip for standard USG Donn® Brand Fineline® Acoustical Suspension System	50	1	S																																								
T15	10"x11/32"x1-9/16"x3/4" Panel Hold-Down Clip	500	30	T																																								
U-2-3/32	10"x11/32"x2-3/32"x3/4" Panel Hold-Down Clip	500	30	T																																								
PAC1	3" Partition Attachment Clip	50	1	U																																								
TB1	1"x1/4"-20 T-Bolt	100	1	V																																								
FC1	USG Donn® Brand Fineline® Acoustical Suspension System Cut-Off Die (scaffold mount)	1	10	W																																								

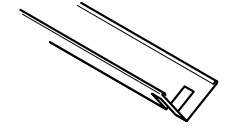
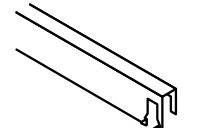
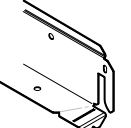
**Notes**  
1. The partition attachment clip shown above is manufactured by Revoe Manufacturing of Canada and can be purchased through USG.  
2. Please refer to *USG Exterior Ceiling Applications* (SC2561) for more information about exterior ceiling applications with the T15 and U-2-3/32 hold-down clips. Use T15 hold-down clip with UA25 molding and use U-2-3/32 hold-down clip with U-2-3/32 molding.

MITER CLOSURE CLIPS

HOLD-DOWN CLIPS<sup>2</sup>

FINELINE® ACCESSORIES

**USG SUSPENSION SYSTEMS  
ACCESSORIES—STABILIZER BARS**

<p><b>Standard Stabilizer Bar</b> A</p> 	<p><b>Locking Stabilizer Bar</b> B</p> 	<p><b>Accessible Stabilizer Bar</b> C</p> 																																																																																																									
<table border="1"> <thead> <tr> <th rowspan="2">Catalog Number</th> <th rowspan="2">Description</th> <th colspan="3">Packaging/Ctn.</th> <th rowspan="2">Detail Key</th> </tr> <tr> <th>LF</th> <th>Pcs.</th> <th>Wt. (lb.)</th> </tr> </thead> <tbody> <tr> <td>CC15-20</td> <td>Standard 20" Stabilizer Bar</td> <td>83.3</td> <td>50</td> <td>11</td> <td>A</td> </tr> <tr> <td>CC15-30</td> <td>Standard 30" Stabilizer Bar</td> <td>125</td> <td>50</td> <td>17</td> <td>A</td> </tr> <tr> <td>CC15-4-2</td> <td>Standard 4' Stabilizer Bar Notched 2' o.c.</td> <td>200</td> <td>50</td> <td>27</td> <td>A</td> </tr> <tr> <td>SB12</td> <td>Locking 12" Stabilizer Bar</td> <td>200</td> <td>200</td> <td>27</td> <td>B</td> </tr> <tr> <td>SB24</td> <td>Locking 24" Stabilizer Bar</td> <td>400</td> <td>200</td> <td>52</td> <td>B</td> </tr> <tr> <td>SB24-A</td> <td>Locking 24" Stabilizer Bar Elongated for Ashlar Connection</td> <td>400</td> <td>200</td> <td>52</td> <td>B</td> </tr> <tr> <td>SB36</td> <td>Locking 36" Stabilizer Bar</td> <td>300</td> <td>100</td> <td>40</td> <td>B</td> </tr> <tr> <td>SB48</td> <td>Locking 48" Stabilizer Bar</td> <td>400</td> <td>100</td> <td>50</td> <td>B</td> </tr> <tr> <td>SB48-24</td> <td>Locking 24" Stabilizer Bar 24" Center-to-Center Notch</td> <td>400</td> <td>100</td> <td>50</td> <td>B</td> </tr> <tr> <td>SB60</td> <td>Locking 60" Stabilizer Bar</td> <td>500</td> <td>100</td> <td>64</td> <td>B</td> </tr> <tr> <td>ASB24</td> <td>Accessible 24" Stabilizer</td> <td>50</td> <td>25</td> <td>17</td> <td>C</td> </tr> <tr> <td>ASB30</td> <td>Accessible 30" Stabilizer Bar</td> <td>62.5</td> <td>25</td> <td>25</td> <td>C</td> </tr> <tr> <td>ASB48</td> <td>Accessible 48" Stabilizer</td> <td>100</td> <td>25</td> <td>33</td> <td>C</td> </tr> <tr> <td>ASB600MM</td> <td>Accessible 600 mm Stabilizer Bar</td> <td>15(m)</td> <td>25</td> <td>17</td> <td>C</td> </tr> <tr> <td>ASB900MM</td> <td>Accessible 900 mm</td> <td>22.5(m)</td> <td>25</td> <td>25</td> <td>C</td> </tr> <tr> <td>ASB1200MM</td> <td>Accessible 1200 mm</td> <td>30(m)</td> <td>25</td> <td>33</td> <td>C</td> </tr> </tbody> </table>	Catalog Number	Description	Packaging/Ctn.			Detail Key	LF	Pcs.	Wt. (lb.)	CC15-20	Standard 20" Stabilizer Bar	83.3	50	11	A	CC15-30	Standard 30" Stabilizer Bar	125	50	17	A	CC15-4-2	Standard 4' Stabilizer Bar Notched 2' o.c.	200	50	27	A	SB12	Locking 12" Stabilizer Bar	200	200	27	B	SB24	Locking 24" Stabilizer Bar	400	200	52	B	SB24-A	Locking 24" Stabilizer Bar Elongated for Ashlar Connection	400	200	52	B	SB36	Locking 36" Stabilizer Bar	300	100	40	B	SB48	Locking 48" Stabilizer Bar	400	100	50	B	SB48-24	Locking 24" Stabilizer Bar 24" Center-to-Center Notch	400	100	50	B	SB60	Locking 60" Stabilizer Bar	500	100	64	B	ASB24	Accessible 24" Stabilizer	50	25	17	C	ASB30	Accessible 30" Stabilizer Bar	62.5	25	25	C	ASB48	Accessible 48" Stabilizer	100	25	33	C	ASB600MM	Accessible 600 mm Stabilizer Bar	15(m)	25	17	C	ASB900MM	Accessible 900 mm	22.5(m)	25	25	C	ASB1200MM	Accessible 1200 mm	30(m)	25	33	C		
Catalog Number			Description	Packaging/Ctn.			Detail Key																																																																																																				
	LF	Pcs.		Wt. (lb.)																																																																																																							
CC15-20	Standard 20" Stabilizer Bar	83.3	50	11	A																																																																																																						
CC15-30	Standard 30" Stabilizer Bar	125	50	17	A																																																																																																						
CC15-4-2	Standard 4' Stabilizer Bar Notched 2' o.c.	200	50	27	A																																																																																																						
SB12	Locking 12" Stabilizer Bar	200	200	27	B																																																																																																						
SB24	Locking 24" Stabilizer Bar	400	200	52	B																																																																																																						
SB24-A	Locking 24" Stabilizer Bar Elongated for Ashlar Connection	400	200	52	B																																																																																																						
SB36	Locking 36" Stabilizer Bar	300	100	40	B																																																																																																						
SB48	Locking 48" Stabilizer Bar	400	100	50	B																																																																																																						
SB48-24	Locking 24" Stabilizer Bar 24" Center-to-Center Notch	400	100	50	B																																																																																																						
SB60	Locking 60" Stabilizer Bar	500	100	64	B																																																																																																						
ASB24	Accessible 24" Stabilizer	50	25	17	C																																																																																																						
ASB30	Accessible 30" Stabilizer Bar	62.5	25	25	C																																																																																																						
ASB48	Accessible 48" Stabilizer	100	25	33	C																																																																																																						
ASB600MM	Accessible 600 mm Stabilizer Bar	15(m)	25	17	C																																																																																																						
ASB900MM	Accessible 900 mm	22.5(m)	25	25	C																																																																																																						
ASB1200MM	Accessible 1200 mm	30(m)	25	33	C																																																																																																						

**Notes**  
1. Please refer to *Application Guide* (IC592) for more information about USG stabilizer bars in plank and large panel applications.

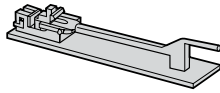
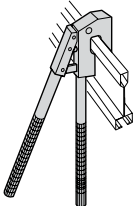
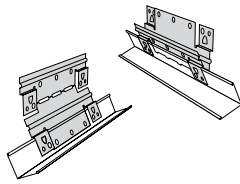
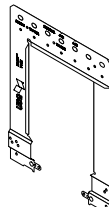
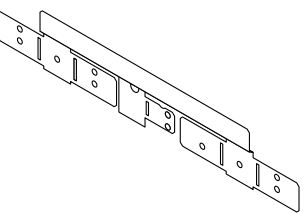
STANDARD  
STABILIZER BARS<sup>1</sup>

LOCKING  
STABILIZER BARS<sup>1</sup>

ACCESSIBLE  
STABILIZER BARS<sup>1</sup>



# USG SUSPENSION SYSTEMS ACCESSORIES—MISCELLANEOUS

<p><b>Universal Field Cross Tee Hole Tool</b></p> <p>For all USG Donn® Brand Acoustical Suspension Systems.</p> 	<p><b>Handheld Field Cross Tee Hold Tool</b></p> <p>For all USG Donn® Brand Acoustical Suspension Systems.</p> 	<p><b>SB2 Sloped Ceiling Bracket</b></p> 
<p><b>USG Logix™ Universal Yoke</b></p> 	<p><b>Utility Module Bracket</b></p> 	

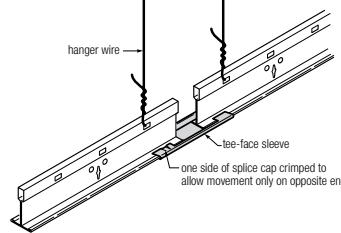
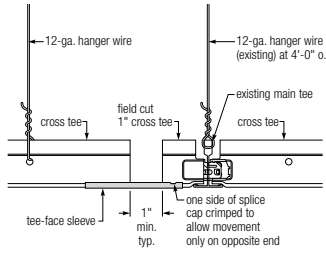
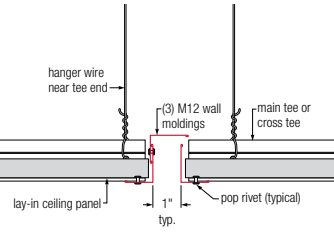
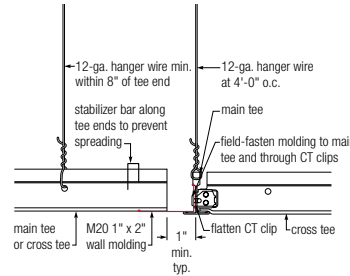
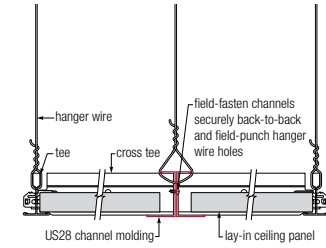
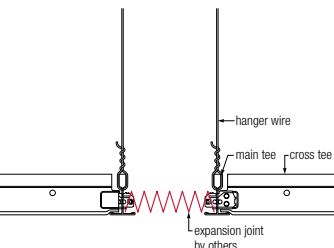
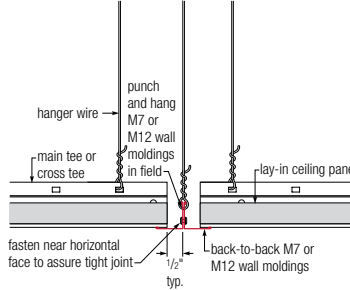
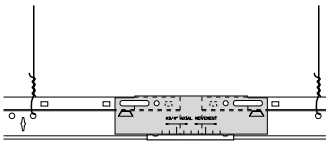
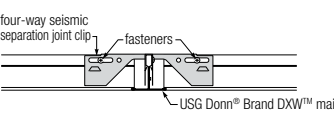
Catalog Number	Description	Packaging/Ctn.	
		Pcs.	Wt. (lb.)
215738	Universal Field Cross Tee Hole Tool	1	30
200308	Handheld Cross Tee Hole Tool	1	5
204755	Replacement Die Block for Universal Cross Tee Tool	1	1
276759	Replacement Die Block for Handheld Cross Tee Tool	1	1
214418	Replacement Punch for Universal Cross Tee Tool	1	1
276760	Replacement Punch for Handheld Cross Tee Tool	1	1
206262	Replacement Punch for Handheld Cross Tee Tool	1	1
<b>TOUCH-UP PAINT</b>			
B11	USG Donn® White Spray Paint (004) <sup>1</sup>	6	7
B13	Flat White Spray Paint (050) <sup>1</sup>	6	7
B14	Flat Black Spray Paint (205) <sup>1</sup>	6	7
B15	Silver Satin Spray Paint (002) <sup>1</sup>	6	7
PC15 GAL	Standard Gallon <sup>2</sup>	1	12
PC16 QT	Standard Quart <sup>2</sup>	1	3
PC19 GAL	Custom Gallon	1	12
PC20 QT	Custom Quart	1	3
<b>USG LOGIX™ INTEGRATED SYSTEM</b>			
LGXUNVYK	USG Logix™ Integrated System Universal Yoke 4, 6, 100 mm, 150 mm, HDG, 2-Part Yoke	10	4
UMB-4-6	4, 6, Utility Module Bracket (UMB)	8	1.9
UMB-100-150	100 mm, 150 mm, Utility Module Bracket (UMB)	8	1.9
<b>ADJUSTABLE WALL MOLDING BRACKET</b>			
SB2	SB2 Adjustable Wall Molding Bracket—used to secure standard wall molding at an angle to accommodate a sloped acoustical ceiling.	100	11

**Notes**

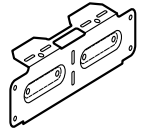
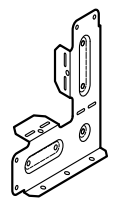
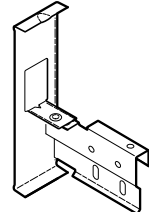
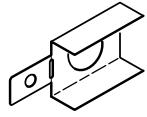
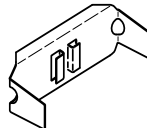
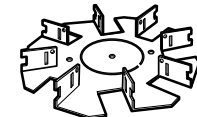
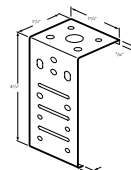
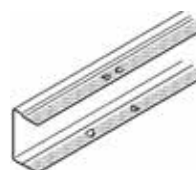
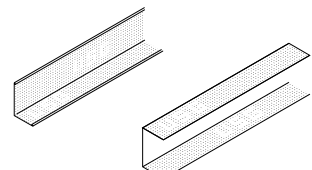
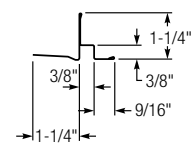
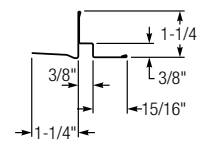
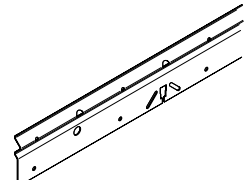
1. One carton contains six 12 oz. cans. Paints cannot be shipped air freight.
2. Specify color number from price list.
3. Punch tools are not covered under the USG Standard Product Warranty.

# USG SUSPENSION SYSTEMS ACCESSORIES—SEPARATION JOINTS

When a separation joint is required, USG offers several options that are practical, easy to install, and designed for minimal visibility. USG Donn® Brand separation joints represent the greatest range of options to satisfy the stringent requirements for separation joints.

<p><b>Tee Face (Main Tee or Cross Tee) Sleeve</b></p> <p>Available for USG Donn® Brand DX™/DXL™, Identitee® DXI™, Centricitee™ DX™/DXLT™ and Finline® DXF™/DXFF™.</p> 	<p><b>Tee Face (Cross Tee) Sleeve</b></p> 	<p><b>Expansion Joint—M12 Molding</b></p> 
<p><b>Expansion Joint—M20 Molding</b></p> 	<p><b>Expansion Joint—US28 Molding</b></p> 	<p><b>Expansion Joint—Accordion Style</b></p> 
<p><b>Expansion Joint—M7 Molding</b></p> 	<p><b>Expansion Joint DH2</b></p> 	<p><b>Slip Joint</b></p> 

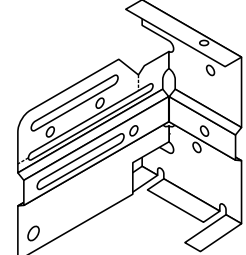
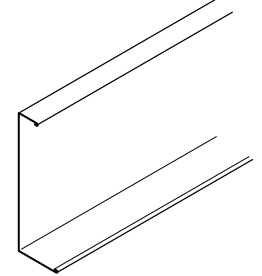
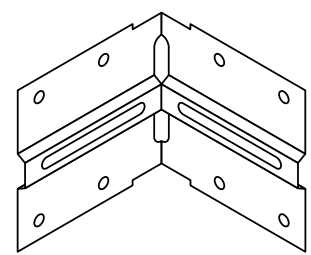
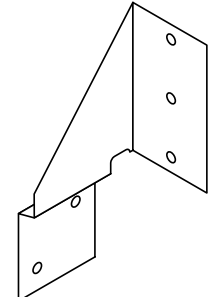
# USG SUSPENSION SYSTEMS ACCESSORIES—DRYWALL SUSPENSION

<b>DGSC-180—Splice Clip A</b> 	<b>DGTC-90—Transition Clip B</b> 	<b>DGC4, DGC6, DGC8—Compasso™ Drywall Clip C</b> 
<b>DGWC—Wall Attachment Clip D</b> 	<b>DGSP-180—Splice Plate E</b> 	<b>DGHUB—Dome Hub F</b> 
<b>CMAC-1—Close Mount Attachment Clip G</b> 	<b>DGLC-12—Drywall Grid Locking Channel H</b> 	<b>Drywall Suspension Perimeter Angle and Channel I</b> 
<b>USG Donn® Brand SL DX™ J</b> 	<b>USG Donn® Brand SL DX® K</b> 	<b>USG Donn® Brand Index Support Bar L</b> 

Catalog Number	Description	Packaging/Ctn.		Detail Key
		Pcs.	Wt. (lb.)	
DGSC-180	Drywall Suspension Splice Clip	50	5	A
DGTC-90	Drywall Suspension Transition Clip	50	29	B
DGC4	Drywall Suspension Clip for 4" Compasso	50	1	C
DGC6	Drywall Suspension Clip for 6" Compasso	50	1	C
DGC8	Drywall Suspension Clip for 8" Compasso	50	1	C
DGWC	Drywall Suspension Wall Attachment Clip	50	1	D
DGSP-180	Drywall Suspension Splice Plate	50	5	E
DGHUB	Drywall Suspension Dome Hub	1	1	F
CMAC-1	Direct Mount - Close Mount Attachment Clip	100	2	G
DGLC-12	Direct Mount - Drywall Grid Locking Channel	10	50	H
DGWM-24	12' x 1-1/2" x 1" Knurled Angle Mold	20	77	I
DGCM-27E	Drywall U Channel Mold - G90	30	94	I
CPDWA9120	10' Drywall to Acoustic Transition Trim, Shadowline 9/16" Flat White 050	12	39	J
CPDWA15120	10' Drywall to Acoustic Transition Trim, Shadowline 15/16" Flat White 050	12	41	K
ISB109	USG Donn Indexed Support Bar, G30, 109 1/2"	16	48	L

**Notes**  
1. Consult the USG Drywall Suspension System Guide (AC3152) for additional details.

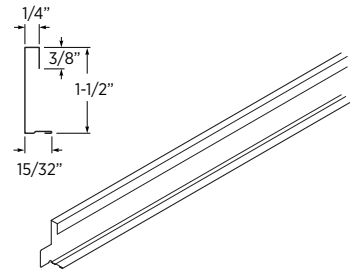
# USG SUSPENSION SYSTEMS ACCESSORIES—ADVANCESPAN

<b>AdvanceSpan Channel Molding</b> 	<b>AdvanceSpan Channel Molding Clip</b> 
<b>AdvanceSpan Main Tee Splice Plate</b> 	<b>AdvanceSpan Main Tee Cross Brace Clip</b> 

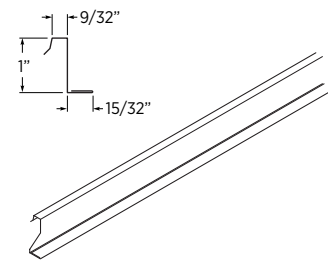
Catalog Number	Description	Packaging/Ctn.	
		Pcs.	Wt. (lb.)
US44	10' x 2-1/8" x 1" x 1/2" AdvanceSpan Channel Molding	20 (200 LF)	58
US44CC	US44 AdvanceSpan Channel Molding Clip	100	10.5
	US44 AdvanceSpan Channel Molding Clip, Small Pack	30	3.3
ASMTSP	AdvanceSpan Main Tee Splice Plate	25	4.5
ASCBC	AdvanceSpan Main Tee Cross Brace Clip	25	3.25

# USG SUSPENSION SYSTEMS ACCESSORIES—DX® CONCEALED

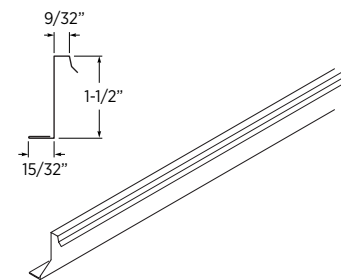
Access Spline use with BPC234



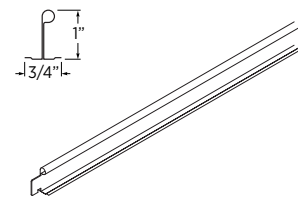
Closing Spline



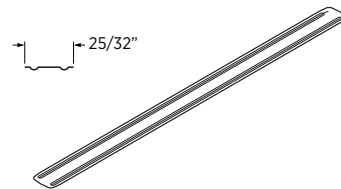
Closing Spline



Tee Spline



Flat Spline



Catalog Number	Description	Packaging/Ctn.	
		Pcs.	Wt. (lb.)
BPA424	4' x 1-1/2" Access Spline use with BPC234	75 (300 LF)	52
BPC116	1" x 11" Closing Spline	400 (366 LF)	32
BPC234	23" x 1-1/2" Closing Spline	400 (767 LF)	77
DE416	4' x 1" Tee Spline	60 (240 LF)	46
DEN416	4' x 1" Notched Tee Spline use with BPC116	60 (240 LF)	32
DT416	4' x 1" Tee Spline	60 (240 LF)	33
E10	11" Flat Spline	500	18

**Notice**  
The information in this document is subject to change without notice. CGC Inc. or USG Corp. assumes no responsibility for any errors that may inadvertently appear in this document.

AC2396/rev. 6-22  
© 2022 USG Corporation and/or its affiliates. All rights reserved. Printed in USA

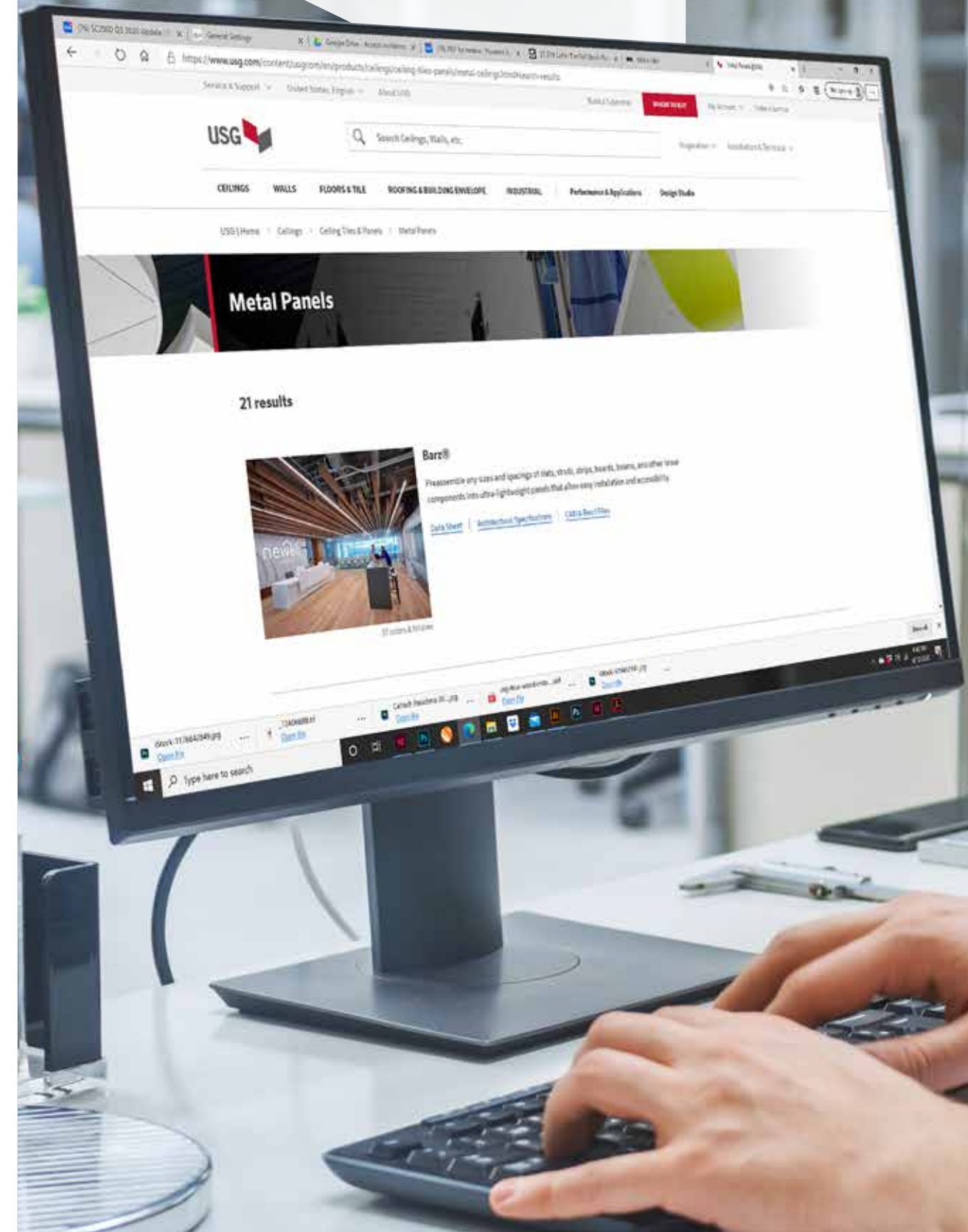
Manufactured by  
USG Interiors, LLC  
550 West Adams Street  
Chicago, IL 60661

The trademarks USG, CGC, CE, CELEBRATION, CENTRICITEE, DONN, DX, DXF, DXFF, DXL, DXLA, DXLT, DXT, DXW, FINELINE, IDENTITEE, LOGIX, ROCK FACE, ZXLA, the USG/CGC logo, the design elements and colors, and related marks are trademarks of USG Corporation or its affiliates.

Safety First! Follow good safety/industrial hygiene practices during installation. Wear appropriate personal protective equipment. Read SDS and literature before specification and installation.



## ADDITIONAL RESOURCES



# SOUND DESIGN STARTS WITH HOW SOUND AND HEARING WORK—AND UNDERSTANDING THE IMPORTANCE OF BALANCED ACOUSTICS

## THE WAY SOUND TRAVELS THROUGH SPACES

Sound moves in a wave motion as an elastic medium produced by a vibrating object. These vibrations move the particles of the medium (such as air) adjacent to it, back and forth, creating an alternate compression and rarefaction of the medium. These disturbances move away from the source in a wave motion, much as a ripple moves along the surface of water when a stone is dropped in. The more elastic a substance, the better it can conduct sound. For example, steel is highly elastic, making it an excellent conductor of sound.

Moreover, sound not only travels in a straight path from its source, but also bounces off partitions, bends around barriers and squeezes through small openings, all of which can allow noise to reach surprisingly far beyond its point of origin.

## HOW SOUND CAN BE CONTROLLED WITHIN SPACES

The basic mechanisms involved in noise control for buildings are sound absorption and sound transmission.

**SOUND ABSORPTION:** Necessary to reduce the reverberation, or echo, in a space to help improve clarity of speech and reduce excessive noise within a room. Acoustically absorbent material absorbs the majority of the incident sound waves and reverberations.

**SOUND TRANSMISSION:** Either airborne or structural, sound transmission must be reduced to prevent sound from traveling between two spaces. Airborne sound transmission is when sound travels through the air, such as partitions and openings. Impact sound transmission originates by contact with a structure and then travels through the structure.

# BALANCED ACOUSTICS = NRC + CAC

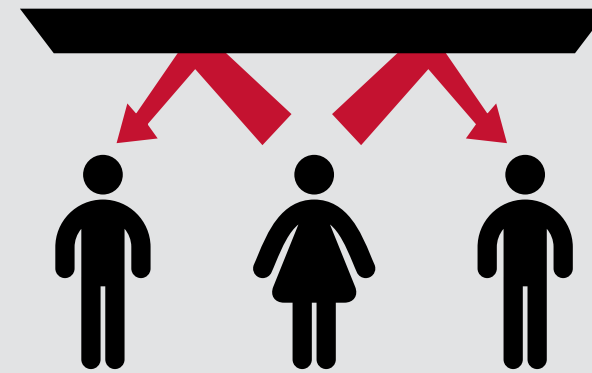
## EVALUATING CEILINGS: NRC, CAC & AC

### Noise Reduction Coefficient (NRC)

**NRC:** A measure of sound absorption.

A 0.70 means the material absorbs 70% of sound waves. This is an important consideration for controlling acoustics within a confined area. Tests are conducted according to **ASTM C423**.

**ASTM C423:** Standard Test Method for Sound Absorption and Sound Absorption Coefficients by the Reverberation Room Method.



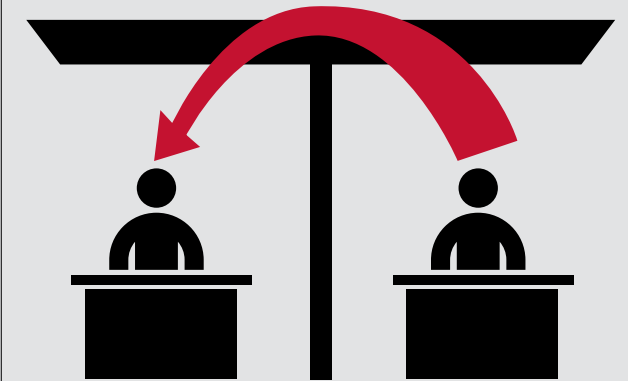
### Ceiling Attenuation Class (CAC)

**CAC:** Applies to the sound attenuation of acoustical ceilings with a shared plenum between horizontally adjacent spaces.

A value of under 25 is considered poor, while a value of 35 and over is exceptional. Tests are conducted per **ASTM E1414** and classified per **ASTM E413**.

**ASTM E1414:** Standard Test Method for Airborne Sound Attenuation Between Rooms Sharing a Common Ceiling Plenum.

**ASTM E413:** Classification for Rating Sound Insulation.



## EVALUATING CEILINGS: NRC, CAC & AC

### Articulation Class (AC)

**AC:** A single-number rating, for speech privacy purposes, of a ceiling system in an open plan space. A rating of 170 or higher is considered acceptable. The higher the AC rating, the better the performance.

**ASTM 1111:** Standard Test Method for Measuring the Interzone Attenuation of Open Office Components.

**ASTM 1110:** Standard Classification for Determination of Articulation Class.



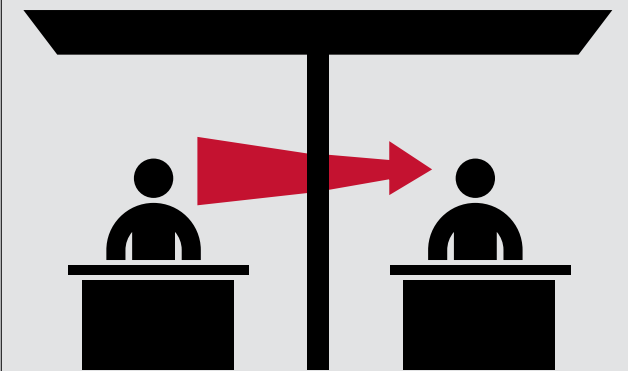
## EVALUATING WALLS

### Sound Transmission Class (STC)

**STC:** A widely used rating of sound attenuation performance of wall and floor systems. Laboratory tests are conducted per **ASTM E90** and classified per **ASTM E413**.

**ASTM E90:** Standard Test Method for Laboratory Measurement of Airborne Sound Transmission Loss of Building Partitions and Elements.

**ASTM E413:** Classification for Rating Sound Insulation.



# USG ACOUSTICAL DATA

All sound testing is conducted at the USG Corporate Innovation Center Acoustical Test Facility, which is accredited under the National Voluntary Laboratory Accreditation Program (NVLAP Lab Code: 200132-0). Testing of acoustical materials is conducted under the UL Client Data Test Program. All acoustical data are representative of each product family listed.

Acoustical Panel Product Name	NRC	CAC	AC	125 Hz	250 Hz	500 Hz	1000 Hz	2000 Hz	4000 Hz
USG ASPEN™ BASIC 3/4"	0.55	35	—	0.44	0.37	0.63	0.82	0.66	0.58
USG ASTRO™ 5/8"	0.55	35	—	0.30	0.31	0.51	0.66	0.66	0.65
USG CLEAN ROOM™ (PERFORATED) 5/8"	0.55	35	—	0.19	0.32	0.47	0.76	0.68	0.46
USG ECLIPSE™ 3/4"	0.70	35	—	0.52	0.37	0.60	0.86	0.89	0.84
USG ECLIPSE™ HIGH-NRC 7/8"	0.75	35	—	0.39	0.39	0.73	0.93	0.95	0.91
USG "F" FISSURED™ BASIC 3/4"	0.70	35	—	0.31	0.32	0.68	0.98	1.02	1.03
USG FISSURED™ BASIC 5/8"	0.55	35	—	0.51	0.31	0.48	0.76	0.75	0.67
USG FISSURED™ BASIC FIRECODE™ 5/8"	0.55	35	—	0.44	0.28	0.49	0.80	0.73	0.63
USG FROST™ 3/4"	0.70	36	—	0.23	0.33	0.64	1.06	1.00	1.04
USG FROST™ BASIC 7/8"	0.70	40	—	0.33	0.37	0.84	0.98	0.91	0.88
USG FROST™ HIGH-NRC/HIGH-CAC 7/8"	0.80	38	—	0.27	0.33	0.78	1.04	0.97	0.99
USG GLACIER™ BASIC 3/4"	0.65	35	—	0.52	0.28	0.54	1.01	1.04	1.06
USG HALCYON™ 3/4"	0.90	20	170	0.55	0.91	0.75	0.97	1.04	1.03
USG HALCYON™ 1"	0.95	20	200	0.71	0.99	0.81	1.04	1.05	0.95
USG HALCYON™ 1-1/2"	1.00	25	210	0.78	0.92	0.92	1.09	1.07	1.03
USG HALCYON™ (FOIL BACKED) 1"	0.90	30	—	0.51	0.61	0.85	1.13	1.11	1.00
USG HALCYON™ (FOIL BACKED) 1-1/2"	0.95	30	190	0.53	0.73	0.88	1.14	1.11	1.03
USG HALCYON™ HEALTHCARE 1"	0.95	20	180	0.71	0.99	0.81	1.04	1.05	0.95
USG HALCYON™ HEALTHCARE 1-1/2"	1.00	25	—	0.78	0.92	0.92	1.09	1.07	1.03
USG MARS™ 3/4"	0.75	35	180	0.32	0.42	0.59	0.92	0.99	1.01
USG MARS™ HIGH-NRC 7/8"	0.80	35	170	0.42	0.45	0.74	1.02	1.04	1.05
USG MARS™ HIGH-NRC/HIGH-CAC 1"	0.80	40	—	0.33	0.40	0.80	1.03	1.03	1.02
USG MARS™ HIGH-CAC	0.60	40	—	0.24	0.31	0.60	0.85	0.92	0.99
USG MARS™ HIGH-NRC 7/8"	0.85	35	180	0.26	0.42	0.78	1.04	1.09	1.06
USG MARS™ HIGH-NRC 1"	0.90	30	—	0.56	0.68	0.82	1.04	1.06	1.08
USG MARS™ HEALTHCARE CLEAN ROOM 3/4"	0.75	35	—	0.38	0.37	0.62	0.95	1.00	1.03
USG MARS™ HEALTHCARE WITH AIRCARE™ 3/4"	0.75	35	—	0.60	0.44	0.66	0.95	1.02	0.99
USG MARS™ HEALTHCARE HIGH-NRC 7/8"	0.80	35	—	0.66	0.54	0.74	1.00	1.01	1.00
USG MARS™ HEALTHCARE HIGH-NRC/HIGH-CAC 1"	0.80	40	—	0.26	0.47	0.86	1.07	1.03	1.04

# USG ACOUSTICAL DATA

Acoustical Panel Product Name	NRC	CAC	AC	125 Hz	250 Hz	500 Hz	1000 Hz	2000 Hz	4000 Hz
USG OLYMPIA™ MICRO™ 5/8"	0.50	35	—	0.45	0.37	0.50	0.65	0.52	0.36
USG OLYMPIA™ MICRO™ 60 NRC 3/4"	0.60	35	—	0.56	0.44	0.64	0.72	0.56	0.41
USG PEBBLED™ 5/8"	0.55	35	—	0.42	0.33	0.54	0.72	0.55	0.41
USG PREMIER HI-LITE™ TWILL (PERFORATED) 5/8"	0.70	20	—	0.53	0.75	0.59	0.89	0.82	0.63
USG PREMIER HI-LITE™ (PERFORATED) KAPOK 5/8"	0.70	20	—	0.53	0.75	0.59	0.89	0.82	0.63
USG PREMIER NUBBY™ (FOIL BACKED) 1"	0.90	25	—	0.37	0.50	0.86	1.05	1.11	1.15
USG RADAR™ 5/8"	0.55	33	—	0.44	0.35	0.43	0.71	0.75	0.65
USG RADAR™ FIRECODE™ 5/8"	0.55	35	—	0.44	0.28	0.49	0.80	0.73	0.63
USG RADAR™ ILLUSION™ 3/4"	0.55	35	—	0.37	0.27	0.51	0.81	0.82	0.67
USG RADAR™ CERAMIC 5/8"	0.50	40	—	0.31	0.29	0.43	0.68	0.84	0.79
USG RADAR™ HIGH DURABILITY 5/8"	0.55	35	—	0.41	0.26	0.38	0.73	0.81	0.70
USG RADAR™ HIGH-NRC 3/4"	0.70	35	160	0.39	0.40	0.72	0.89	0.75	0.71
USG TOUCHSTONE™ 5/8"	0.55	35	—	0.34	0.34	0.56	0.68	0.61	0.49

**Notes**  
 — All acoustical data are representative of each product family listed. For the most recent test results on a specific product, please contact your local USG representative or visit usgdesignstudio.com.  
 — CAC data obtained and tested according to E1414 using type CE mounting (Continuous at partitions, Exposed suspension system).  
 — NRC data obtained and tested according to ASTM C423. All material was tested in type E400 mounting, as specified in ASTM E795.  
 — AC data obtained and tested according to ASTM 1111.

# ACOUSTICAL PANEL PACKAGING DATA

Item Number	Wt./Ctn.	Pcs./Ctn.	Sq. Ft./Ctn.	Ctn./Pallet
<b>USG ACOUSTIC SF™</b>				
659853	57	8	32	44
C-8CE	8	500		—
<b>USG ASPEN™ BASIC ACOUSTICAL PANELS</b>				
650	54	12	48	20
651	54	6	48	20
652	54	6	48	20
<b>USG ASTRO® ACOUSTICAL PANELS</b>				
8122	60	12	48	20
8221	60	16	64	16
8241	60	8	64	18
8223	60	16	64	16
8243	60	8	64	18
8227	60	16	64	16
8247	60	8	64	18
8322	60	12	48	16
8722	60	12	48	16
<b>USG ASTRO® ILLUSION™ ACOUSTICAL PANELS</b>				
8742	60	6	48	20
8744	60	6	48	20
<b>USG CLEAN ROOM™ ACOUSTICAL PANELS</b>				
56099	72	16	64	16
56091	72	8	64	18
56060	72	16	64	16
56090	72	8	64	18
<b>USG ECLIPSE™ ACOUSTICAL PANELS</b>				
76575	49	12	48	20
76775	49	12	48	20
ME76775	49	12	46.5	20
76975	49	12	48	20
ME76975	49	12	46.5	20
78575	49	6	48	20
78775	49	6	48	20
78975	49	6	48	20
<b>USG ECLIPSE™ HIGH-NRC ACOUSTICAL PANELS</b>				
76520	59	10	40	20
76521	59	6	48	16
76522	59	10	40	20
76523	59	6	48	16
76524	59	10	40	20
76525	59	6	48	16
<b>USG ECLIPSE™ ILLUSION™ ACOUSTICAL PANELS</b>				
78011	49	6	48	20
78085	49	6	48	20
78711	49	6	48	20
78785	49	6	48	20
<b>USG "F" FISSURED™ BASIC ACOUSTICAL PANELS</b>				
131	50	8	32	28
132	49	8	32	28
133	49	8	32	28
135	72	6	48	28
136	72	6	48	28

# ACOUSTICAL PANEL PACKAGING DATA

Item Number	Wt./Ctn.	Pcs./Ctn.	Sq. Ft./Ctn.	Ctn./Pallet
<b>USG FISSURED™ BASIC ACOUSTICAL PANELS</b>				
506	43	16	64	20
507	43	8	64	20
560	42	16	64	20
562	42	8	64	20
585	65	16	64	20
586	74	8	64	20
<b>USG FROST™ BASIC ACOUSTICAL PANELS</b>				
415	49	8	32	28
440	56	8	32	28
450	71	6	48	16
460	71	6	48	16
<b>USG FROST™ HIGH-NRC/HIGH-CAC ACOUSTICAL PANELS</b>				
484	56	8	32	24
488	57	8	32	24
489	57	8	32	24
<b>USG FROST™/USG FROST™ HIGH-LR ACOUSTICAL PANELS</b>				
414	48	8	32	28
418	49	8	32	28
419	49	8	32	28
490	48	8	32	28
491	48	8	32	28
<b>USG GLACIER™ BASIC ACOUSTICAL PANELS</b>				
707	42	8	32	28
708	43	8	32	28
711	66	6	48	16
715	44	8	32	28
<b>USG HALCYON™ ACOUSTICAL PANELS</b>				
88221	24	12	48	28
88223	47	12	96	14
88224	46	8	64	14
88225	24	12	48	28
88226	47	12	96	14
88227	24	12	48	28
97221	25	16	64	28
97241	49	16	128	14
97266	76	12	150	7
97356	24	8	32	28
97357	24	8	32	28
97358	48	8	64	14
97368	46	12	96	14
97359	24	8	32	28
98221	23	12	48	28
98223	23	12	48	28
98225	23	12	48	28
98241	45	12	96	14
98243	45	12	96	14
98245	45	12	96	14
98331	35	12	75	14

**ACOUSTICAL PANEL PACKAGING DATA**

**USG HALCYON™  
ACOUSTICAL PANELS  
CONT.**

Item Number	Wt./Ctn.	Pcs./Ctn.	Sq. Ft./Ctn.	Ctn./Pallet
98333	35	12	75	14
98335	35	12	75	14
98336	76	12	150	7
99221	22	8	32	28
99223	22	8	32	28
99225	22	8	32	28
99241	44	8	64	14
99270	76	12	150	7

**USG HALCYON™  
ECO ACOUSTICAL  
PANELS**

97312	23	12	48	28
97313	45	12	96	14
97314	97	12	192	7
97315	23	12	48	28
97316	45	12	96	14
97317	97	12	192	7
97318	23	12	48	28
97319	45	12	96	14
97320	97	12	192	7
97340	61	12	120	14
97341	73	12	144	14
97342	97	12	192	14

**USG HALCYON™ PLANKS  
AND LARGE SIZE  
ACOUSTICAL PANELS**

97262	56	16	192	14
97263	100	16	256	14
97360	73	12	144	14
97361	97	12	192	14
97362	73	12	144	14
97363	97	12	192	4
97364	65	4	128	4
97365	97	12	192	7
97366	97	12	192	7
97367	97	12	192	14
98197	92	12	192	14
98348	69	12	144	14
98441	90	12	192	7
98443	90	12	192	7
98445	90	12	192	7
98481	60	4	128	20
99268	69	12	144	14
99269	92	12	192	14

**ACOUSTICAL PANEL PACKAGING DATA**

**USG HALCYON™  
HEALTHCARE  
ACOUSTICAL PANELS**

Item Number	Wt./Ctn.	Pcs./Ctn.	Sq. Ft./Ctn.	Ctn./Pallet
98217	48	8	32	28
98218	16	8	64	14
98232	32	12	48	28
98233	24	12	96	14
98234	48	8	32	28
98235	24	8	64	14
98236	48	12	48	28
98237	16	12	96	14
98238	32	12	48	28
98239	24	12	96	14

**USG MARS™/USG MARS™  
HRC ACOUSTICAL PANELS**

86185	51	12	48	20
86185HRC	51	12	48	20
86288	51	24	48	18
86785	51	12	48	20
86785HRC	51	12	48	20
86830	40	6	37.5	20
86875	40	6	37.5	20
86985	51	12	48	20
86985HRC	51	12	48	20
88185	51	6	48	20
88185HRC	51	6	48	20
88785	51	6	48	20
88785HRC	51	6	48	20
88985	51	6	48	20
88985HRC	51	6	48	20

**USG MARS™/USG MARS™  
HIGH-NRC PLANKS AND  
ACOUSTICAL PANELS**

86161	63	6	60	20
86166	75	6	72	16
86166HRC	75	6	72	16
86221	63	6	60	20
86223	75	6	72	20
86350	73	6	60	16
86360	88	6	72	16
88984	63	6	60	20
88996	75	6	72	16
88996HRC	75	6	72	16
89550	73	6	60	16
89650	73	6	60	16
89660	88	6	72	16
89662	66	6	60	16
89663	79	6	72	16
89664	66	6	60	16
89665	79	6	72	16
89667	66	6	60	16
89668	79	6	72	16
89670	88	6	72	16
89673	49	4	40	20
89674	59	4	48	20
89675	49	4	40	20
89676	59	4	48	20
89677	49	4	40	20
89678	59	4	48	20

**ACOUSTICAL PANEL PACKAGING DATA**

**USG MARS™ HEALTHCARE  
HIGH-NRC PANELS  
80/35**

Item Number	Wt./Ctn.	Pcs./Ctn.	Sq. Ft./Ctn.	Ctn./Pallet
86152	59	10	40	20
86340	59	6	48	16
86470	59	10	40	20
86750	59	10	40	20

**USG MARS™ HEALTHCARE  
HIGH-NRC PANELS  
85/35**

86256	44	10	40	20
86257	44	10	40	20
86258	44	10	40	20
88256	53	6	48	16

**USG MARS™ HEALTHCARE  
HIGH-NRC/HIGH-CAC  
PANELS  
80/40**

86115	53	8	32	20
88115	53	4	32	20
86343	53	8	32	20
88343	53	4	32	20
86344	53	8	32	20
88344	53	4	32	20

**USG MARS™ HEALTHCARE  
HEALTHCARE PANELS  
75/35**

86169	51	12	48	20
86684	51	12	48	20
86984	51	12	48	20
88189	51	6	48	20
88683	51	6	48	20
88983	51	6	48	20

**USG MARS™ HEALTHCARE  
WITH AIR COATING  
75/35**

86169AIR	51	12	48	20
86684AIR	51	12	48	20
86984AIR	51	12	48	20
88189AIR	51	6	48	20
88683AIR	51	6	48	20
88983AIR	51	6	48	20

**USG MARS™ HEALTHCARE  
CLEAN ROOM  
75/35**

86169CR	51	12	48	20
88189CR	51	6	48	20
86684CR	51	12	48	20
88683CR	51	6	48	20

**USG MARS™ HEALTHCARE  
HIGH-CAC PANELS  
60/40**

86270	63	12	48	—
86272	63	12	48	—
86273	63	12	48	—
88271	63	6	48	16
88273	63	6	48	16

**USG MARS™ HIGH-NRC/HIGH-CAC  
ACOUSTICAL PANELS**

80113	42	6	38	16
80139	42	6	38	16
80165	42	6	38	16
80213	31	4	25	20
80239	31	4	25	20
80265	31	4	25	20

**ACOUSTICAL PANEL PACKAGING DATA**

**USG MARS™  
HIGH-NRC/HIGH-CAC  
ACOUSTICAL PANELS  
CONT.**

Item Number	Wt./Ctn.	Pcs./Ctn.	Sq. Ft./Ctn.	Ctn./Pallet
80113	42	6	38	16
80139	42	6	38	16
80165	42	6	38	16
80213	31	4	25	20
80239	31	4	25	20
80265	31	4	25	20
86100	59	10	40	20
86186	63	12	48	20
86300	59	6	48	16
86400	45	6	37.5	18
86426	42	6	38	18
86429	86	6	75	8
86345	53	8	32	20
88345	53	4	32	20
86346	53	8	32	20
88346	53	4	32	20
86347	53	8	32	20
88347	53	4	32	20
86466	42	6	75	8
86497	86	6	75	8
86500	45	6	37.5	20
86786	63	12	48	20
86986	63	12	48	20
87100	59	10	40	20
87187	63	6	48	16
87200	49	10	40	20
88134	53	10	40	20
88135	53	10	40	20
88136	53	10	40	20
88137	39	8	32	20
88138	39	8	32	20
88139	39	8	32	20
88786	63	6	48	16
88986	63	6	48	20
89134	53	6	48	16
89135	53	6	48	16
89136	53	6	48	16
89137	39	4	32	16
89138	39	4	32	16
89139	39	4	32	16
89140	83	6	75	9
89141	83	6	75	9
89142	83	6	75	9
89143	61	4	50	10
89144	61	4	50	10
89145	61	4	50	10
89500	59	6	48	20
89600	59	6	48	20



**ACOUSTICAL PANEL PACKAGING DATA**

**USG MILLENNIA®  
ACOUSTICAL PANELS**

Item Number	Wt./Ctn.	Pcs./Ctn.	Sq. Ft./Ctn.	Ctn./Pallet
76505	48	12	48	18
76705	48	12	48	18
76901	48	6	48	18
76907	48	12	48	18
78080	48	6	48	20
78505	48	6	48	18
78705	48	6	48	18
78780	49	6	48	20

**USG MILLENNIA®  
HIGH-NRC ACOUSTICAL  
PANELS**

76201	51	12	48	20
76302	51	12	48	20
78501	51	6	48	20

**USG OLYMPIA™ MICRO™  
ACOUSTICAL PANELS**

4210	64	16	64	20
4211	64	16	64	20
4221	64	16	64	16/20
4231	64	16	64	16/20
4411	64	8	64	20
4421	64	8	64	20
4431	64	8	64	20
4742	48	6	48	20
4744	48	6	48	20
4750	53	12	48	20
4751	53	6	48	20
4752	53	12	48	20
4753	53	6	48	20
4754	53	12	48	20
4755	53	6	48	20
4913	64	8	64	20

**USG ORION™ ACOUSTICAL  
PANELS**

62150	46	16	64	20
62151	46	8	64	20
62152	46	16	64	20
62153	46	8	64	20
62154	46	16	64	20
62155	46	8	64	20
62156	48	20	80	20
62157	48	10	80	20
62162	46	16	64	20
62163	46	8	64	20
62164	46	16	64	20
62165	46	8	64	20
62166	46	16	64	20
62167	46	8	64	20

**ACOUSTICAL PANEL PACKAGING DATA**

**USG PEBBLED™  
ACOUSTICAL PANELS**

Item Number	Wt./Ctn.	Pcs./Ctn.	Sq. Ft./Ctn.	Ctn./Pallet
4800	56	8	64	20
4801	56	16	64	20
4805	56	16	64	20
4850	77	8	64	20
4851	77	16	64	20
4867	56	16	64	20

**USG PREMIER HI-LITE™  
ACOUSTICAL PANELS**

7050G	35	32	128	18
7051G	35	16	128	18
7052G	35	32	128	18
7053G	35	16	128	18
7054G	35	32	128	18
7055G	35	16	128	18
7056G	35	32	128	18
7057G	35	16	128	18
7187G	38	12	96	18

**USG PREMIER NUBBY™  
ACOUSTICAL PANELS**

7000G	35	32	128	14
7002G	35	24	96	14
7003G	35	12	96	14
7012G	37	24	96	14
7013G	37	12	96	14
7087G	68	8	80	14

**USG RADAR™ BASIC  
ACOUSTICAL PANELS**

2110	42	16	64	20
ME2110	42	16	62	16
2115	74	16	64	16
2120	46	16	64	16
ME2120	46	16	62	20
2125	74	16	64	16
2130	46	16	64	16
2135	74	16	64	16
2310	42	8	64	20
ME2310	42	8	62	18
2315	74	8	64	18
2320	42	8	64	20
2617	43	8	67	16
2618	85	6	75	10
2619	53	8	80	20
2627	46	8	67	20
2742	46	6	48	20
2990	54	48	48	18
2991	56	40	40	18

**ACOUSTICAL PANEL PACKAGING DATA**

**USG RADAR™ HIGH-NRC/  
HIGH-CAC ACOUSTICAL  
PANELS**

Item Number	Wt./Ctn.	Pcs./Ctn.	Sq. Ft./Ctn.	Ctn./Pallet
22111	58	12	48	20
22121	58	12	48	20
22122	58	6	48	20
22127	58	12	48	20
22310	75	8	64	18
22311	58	6	48	20
22350	49	12	48	20
22360	49	6	48	20
22370	49	12	48	20
22421	49	12	48	20
22441	49	6	48	20
22521	58	12	48	20
22523	58	12	48	20
22527	58	12	48	20
22541	58	6	48	20

**USG RADAR™ OPEN PLAN  
ACOUSTICAL PANELS**

22320	58	12	48	16
22325	58	6	48	18
22330	58	12	48	16
22335	58	6	48	18
22340	58	12	48	16
22345	58	6	48	18

**USG RADAR™ CERAMIC  
ACOUSTICAL PANELS**

56644	79	12	48	20
56645	79	6	48	20

**USG RADAR™  
ACOUSTICAL PANELS**

2207	48	16	64	16
2210	46	16	64	20
2215	74	16	64	16
2220	48	16	64	20
ME2220	48	16	62	16
2225	74	16	64	18
2227	48	16	64	16
2230	46	16	64	20
2232	46	8	64	20
2235	74	16	64	16
2407	48	8	64	18
2410	46	8	64	20
ME2410	46	8	62	18
2410P	46	8	64	20
2415	74	8	64	18
2420	46	8	64	18
2425	74	8	64	18
2570	57	48	48	18
2888	46	12	48	20
2890	46	6	48	20

**ACOUSTICAL PANEL PACKAGING DATA**

**USG RADAR™ ILLUSION™  
ACOUSTICAL PANELS**

Item Number	Wt./Ctn.	Pcs./Ctn.	Sq. Ft./Ctn.	Ctn./Pallet
2842	46	6	48	20
2844	46	6	48	20
2846	46	6	48	20
2852	46	6	48	20
2854	46	6	48	20
2862	46	6	48	20
2864	46	6	48	20
2882	46	6	48	20
2884	46	6	48	20

**USG RADAR™ EDUCATION  
ACOUSTICAL PANELS**

2207	48	16	64	16
22111	58	12	48	20
22121	58	12	48	20
22122	58	6	48	20
22127	58	12	48	20
2227	48	16	64	16
22350	49	12	48	16
22360	49	6	48	18
22370	49	12	48	16
22421	49	12	48	16
22441	49	6	48	18
22523	58	12	48	20
22541	58	6	48	20
2407	48	8	64	18

**USG SANDRIFT™  
ACOUSTICAL PANELS**

808	48	8	32	28
809	48	8	32	28
815	49	8	32	28

**USG SHEETROCK® BRAND  
LAY-IN ACOUSTICAL  
CEILING PANELS**

3200	67	4	32	32
3260	33	4	16	92
3270	67	4	32	46

**USG KITCHEN LAY-IN  
PANEL**

3210	45	16	64	20
3410	45	8	64	20

**USG TOUCHSTONE™  
ACOUSTICAL PANELS**

5893	65	12	48	20
5894	65	6	48	20
5896	65	12	48	20
5899	65	12	48	20

# SUSPENSION SYSTEM PACKAGING DATA

# SUSPENSION SYSTEM PACKAGING DATA

## USG DX\*/DXL™

	Westlake & Cartersville						Stockton		
	Pcs./Ctn.	LF/Ctn.	Wt./Ctn.	Ctns./Pallet	LF/Pallet	Wt./Pallet	Ctns./Pallet	LF/Pallet	Wt./Pallet
<b>Main Tees</b>									
DX24	20	240	54	30	7,200	1,620	30	7,200	1,620
DXL24	20	240	60	30	7,200	1,950	30	7,200	1,950
DXL24HRC	20	240	60	30	7,200	1,950	30	7,200	1,950
DXL26	20	240	73	30	7,200	2,252	30	7,200	2,190
DXL26HRC	20	240	73	60	7,200	1,140	30	7,200	2,190
<b>Cross Tees</b>									
DX216	60	120	19	60	7,200	1,178	60	7,200	1,140
DXL216	60	120	19	60	7,200	1,178	60	7,200	1,140
DXL216HRC	60	120	19	30	7,200	2,370	60	7,200	1,140
DX316	60	180	32	30	5,400	908	30	5,400	900
DX2016	60	100	17	60	6,000	960	60	6,000	2,280
DX3016	60	150	22	30	4,500	810	n/a	n/a	n/a
DXL324	60	180	50	30	5,400	1,388	30	5,400	1,500
DX416	60	240	43	30	7,200	1,178	30	7,200	1,290
DX426	60	240	73	30	7,200	1,950	30	7,200	2,370
DX422	60	240	45	30	7,200	1,208	60	14,400	2,640
DX422HRC	60	240	45	30	7,200	1,320	30	7,200	1,080
DXL424	60	240	65	30	7,200	1,778	30	7,200	1,950
DXL424HRC	60	240	65	30	7,200	1,950	30	7,200	1,920
DXL524	60	300	79	30	9,000	2,408	30	9,000	3,270
DX624	20	120	30	n/a	n/a	n/a	n/a	n/a	n/a
DX824	20	160	39	30	4,800	1,292	30	4,800	1,170

## USG DXLA™

<b>Main Tees</b>									
DXLA24	20	240	59	30	7,200	2,132	30	7,200	1,740
DXLA26	20	240	85	30	7,200	2,550	30	7,200	2,188
<b>Cross Tees</b>									
DXLA216	60	120	22	60	7,200	1,358	60	7,200	960
DXLA424	60	240	58	609	14,400	3,185	30	7,200	1,740

## USG DXACE™

<b>Main Tees</b>									
DXACE26	20	240	65	30	7,200	1,420	30	7,200	1,950
<b>Cross Tees</b>									
DXACE224	60	120	16	60	7,200	960	60	7,200	960
DXACE424	60	240	58	30	7,200	1,740	30	7,200	1,740

## USG CENTRICITEE™ DXT™

<b>Main Tees</b>									
DXT24	20	240	60	30	7,200	1,802	30	7,200	1,800
DXT24HRC	20	240	60	30	7,200	1,800	30	7,200	1,800
DXT24-10	20	200	50	30	6,000	1,500	30	6,000	n/a
DXT26	20	240	67	30	7,200	2,012	30	7,200	2,010
DXT26HRC	20	240	67	30	7,200	2,010	30	7,200	2,010
<b>Cross Tees</b>									
DXT122	60	60	19	n/a	n/a	n/a	n/a	n/a	n/a
DXT222	60	120	20	60	7,200	1,238	60	7,200	1,200
DXT222HRC	60	120	20	30	3,600	600	30	3,600	600
DXT422	60	240	45	30	7,200	1,350	30	7,200	1,110
DXT424	60	240	60	30	7,200	1,808	30	7,200	1,800
DXT424HRC	60	240	60	30	7,200	1,800	n/a	n/a	n/a

## USG CENTRICITEE™ DXT™ CONT.

DXT426	60	240	70	30	7,200	2,100	30	7,200	2,100
DXT524	60	300	75	n/a	n/a	n/a	n/a	n/a	n/a
DXT624	20	120	30	30	3,600	900	30	3,600	900
DXT824	20	160	40	30	4,800	1,200	30	4,800	1,200
DXLT24	20	240	60	30	7,200	1,802	24	7,200	2,208
DXLT222	60	120	20	60	7,200	1,238	30	3,600	600
DXLT424	60	240	60	30	7,200	1,808	30	7,200	1,800

## USG FINELINE® DXF™/DXLF™

DXF2930	20	200	52	n/a	n/a	n/a	n/a	n/a	n/a
DXF2924	20	240	62	30	7,200	1,890	30	7,200	1,980
DXF2924HRC	20	240	62	30	7,200	1,890	30	7,200	1,980
DXF2924-10	20	200	52	30	6,000	1,590	30	6,000	1,590
DXF2948	20	240	62	30	7,200	1,920	30	7,200	1,980
DXF2920	20	200	52	n/a	n/a	n/a	n/a	n/a	n/a
DXFH2924	20	240	71	30	7,200	2,190	30	7,200	2,310
DXLF2924	20	240	62	30	7,200	1,860	30	7,200	1,860

## USG FINELINE® DXF™

DXF129	50	50	14	120	6,000	1,838	120	6,000	1,800
DXF229	50	100	26	60	6,000	1,658	60	6,000	1,620
DXLF229	50	100	26	60	6,000	1,440	60	6,000	1,620
DXF229HRC	50	100	26	60	6,000	1,620	60	6,000	1,620
DXF30	50	125	32	60	7,500	2,078	60	7,500	2,040
DXF429	50	200	52	30	6,000	1,590	30	6,000	1,590
DXF429S	50	200	52	30	6,000	1,590	30	6,000	1,590
DXF429N	50	200	52	30	6,000	1,628	30	6,000	1,590
DXF429NHRC	50	200	52	30	6,000	1,590	30	6,000	1,590
DXLF429N	50	200	52	60	6,000	1,440	30	6,000	1,590
DXF529	50	250	65	30	7,500	2,018	30	7,500	1,980
DXF529N	50	200	65	30	7,500	2,018	30	7,500	1,980
DXF57	50	210	64	n/a	n/a	n/a	n/a	n/a	n/a
DXF629	20	120	34	75	9,000	2,550	75	9,000	2,550
DXF829	20	160	44	30	4,800	1,320	30	4,800	1,320

## USG FINELINE® DXFEV™

DXFEV2912	20	240	62	30	7,200	1,920	30	7,200	n/a
DXFEV2924	20	240	62	30	7,200	2,040	30	7,200	2,040
DXFEVH2912	20	240	62	30	7,200	2,310	30	7,200	2,310
DXFEVH2924	20	240	62	30	7,200	2,310	30	7,200	2,310
DXFEVH2930	20	240	62	30	7,200	2,310	30	7,200	2,310
<b>Cross Tees</b>									
DXFEV229	50	100	26	60	6,000	1,680	60	6,000	1,680
DXFEV429N	50	200	52	30	6,000	1,740	30	6,000	1,740
DXFEV629	20	120	34	75	9,000	2,550	75	9,000	n/a
DXFEV829	20	160	44	30	4,800	1,320	30	4,800	n/a

SUSPENSION SYSTEM PACKAGING DATA

USG FINELINE™  
1/8 DXFF™

Pcs./Ctn.	LF/Ctn.	Wt./Ctn.	Westlake & Cartersville			Stockton			
			Ctns./Pallet	LF/Pallet	Wt./Pallet	Ctns./Pallet	LF/Pallet	Wt./Pallet	
<b>Main Tees</b>									
DXFF2924	20	240	68	30	7,200	1,950	30	7,200	1,950
DXFF2930	20	200	54	n/a	n/a	n/a	n/a	n/a	n/a
DXFF2948	20	240	68	30	7,200	1,980	30	7,200	1,980
DXFFH2924	20	240	72	30	7,200	2,220	30	7,200	2,220
<b>Cross Tees</b>									
DXFF129	50	50	14	120	6,000	1,598	120	6,000	1,560
DXFF229	50	100	27	60	6,000	1,718	60	6,000	1,680
DXFF429	50	200	54	30	6,000	1,650	30	6,000	1,590
DXFF429N	50	200	54	30	6,000	1,688	30	6,000	1,650
DXFF429S	50	200	54	30	6,000	1,650	30	6,000	1,590
DXFF529N	50	250	67	30	7,500	2,078	30	7,500	2,040

USG IDENTITEE™ DXI™

Pcs./Ctn.	LF/Ctn.	Wt./Ctn.	Westlake & Cartersville			Stockton			
			Ctns./Pallet	LF/Pallet	Wt./Pallet	Ctns./Pallet	LF/Pallet	Wt./Pallet	
<b>Main Tees</b>									
DXI24HRC	20	240	60	18	4,320	1,184	30	7,200	1,920
DXI26HRC	20	240	73	18	4,320	1,346	30	7,200	2,190
<b>Cross Tees</b>									
DXIH120HRC	20	200	61	18	3,600	1,127	n/a	n/a	n/a
DXIH120/27HRC	20	200	61	18	3,600	1,127	n/a	n/a	n/a
DXIH2412/20HRC	20	200	61	n/a	n/a	n/a	n/a	n/a	n/a
DXIH96/21HRC	20	160	40	18	2,880	908	30	4,800	1,470
DXI124HRC	60	60	12	96	5,760	1,574	60	3,600	960
DXI2124HRC	60	105	18	48	5,040	1,372	n/a	n/a	n/a
DXI224HRC	60	120	32	48	5,760	1,574	60	7,200	1,920
DXI2724HRC	60	120	32	30	4,050	1,1574	n/a	n/a	n/a
DXI3024HRC	60	150	39	32	4,800	1,318	n/a	n/a	n/a
DXI4224HRC	60	210	50	28	5,880	1,606	n/a	n/a	n/a
DXI424HRC	60	240	60	28	6,720	1,830	30	7,200	1,920
DXI5424HRC	60	270	68	28	7,560	2,054	n/a	n/a	n/a
DXI524HRC	60	300	75	28	8,400	2,278	30	9,000	2,400
DXI5724HRC	60	300	75	30	8,550	2,280	n/a	n/a	n/a
DXI624HRC	20	120	30	18	2,160	608	30	3,600	960
DXI824HRC	20	160	45	18	2,880	820	30	4,775	1,350

USG ZXLA™

Pcs./Ctn.	LF/Ctn.	Wt./Ctn.	Westlake & Cartersville			Stockton			
			Ctns./Pallet	LF/Pallet	Wt./Pallet	Ctns./Pallet	LF/Pallet	Wt./Pallet	
<b>Main Tees</b>									
ZXLA24	20	240	56	30	7,200	1,740	30	7,200	1,740
ZXLA26	20	240	74	30	7,200	2,040	30	7,200	2,040
<b>Cross Tees</b>									
ZXLA224	60	120	28	60	7,200	1,800	60	7,200	1,800
ZXLA424	60	240	56	30	7,200	1,740	30	7,200	1,740

USG AX™/AXCE™

Pcs./Ctn.	LF/Ctn.	Wt./Ctn.	Westlake & Cartersville			Stockton			
			Ctns./Pallet	LF/Pallet	Wt./Pallet	Ctns./Pallet	LF/Pallet	Wt./Pallet	
<b>Main Tees</b>									
AX26	20	240	30	20	4,800	600	20	4,800	600
AXCE26	20	240	30	20	4,800	600	20	4,800	600
<b>Cross Tees</b>									
AX224	60	120	12	120	14,400	1,440	120	14,400	1,440
AX424	60	240	23	60	14,400	1,440	60	14,400	1,440
AXCE224	60	120	12	120	14,400	1,440	120	14,400	1,440
AXCE424	60	240	23	60	14,400	1,440	60	14,400	1,440

SUSPENSION SYSTEM PACKAGING DATA

USG DXW™

Pcs./Ctn.	LF/Ctn.	Wt./Ctn.	Westlake & Cartersville			Stockton			
			Ctns./Pallet	LF/Pallet	Wt./Pallet	Ctns./Pallet	LF/Pallet	Wt./Pallet	
<b>Main Tees</b>									
DXW26	16	192	70	24	4,608	1,680	24	4,608	1,680
<b>Cross Tees</b>									
DXW224	48	96	31	24	2,304	744	24	2,304	744
DXW424	48	192	61	48	9,216	2,928	48	9,216	2,916

USG CE™

Pcs./Ctn.	LF/Ctn.	Wt./Ctn.	Westlake & Cartersville			Stockton			
			Ctns./Pallet	LF/Pallet	Wt./Pallet	Ctns./Pallet	LF/Pallet	Wt./Pallet	
<b>Main Tees</b>									
DXCE 24	20	240	60	30	7,200	1,950	30	7,200	1,950
DXCE 26	20	240	84	30	7,200	2,520	30	7,200	2,190
DXWCE 26	16	192	77	24	4,608	1,848	24	4,608	1,680
<b>Cross Tees</b>									
DXCE 224	60	120	41	60	7,200	2,460	60	7,200	1,980
DXCE 424	60	240	65	30	7,200	1,950	30	7,200	1,950
DXWCE 224	48	96	30	—	—	—	—	—	—
DXWCE 424	48	192	59	—	—	—	—	—	—

USG DXSS™

Pcs./Ctn.	LF/Ctn.	Wt./Ctn.	Westlake & Cartersville			Stockton			
			Ctns./Pallet	LF/Pallet	Wt./Pallet	Ctns./Pallet	LF/Pallet	Wt./Pallet	
<b>Main Tees</b>									
DXSS24	20	240	66	30	7,200	2,010	30	7,200	2,010
<b>Cross Tees</b>									
DXSS224	60	120	24	60	7,200	1,920	60	7,200	1,920
DXSS424	60	240	48	30	7,200	1,950	30	7,200	1,950

WALL MOLDING

Pcs./Ctn.	LF/Ctn.	Wt./Ctn.	Westlake & Cartersville			Stockton			
			Ctns./Pallet	LF/Pallet	Wt./Pallet	Ctns./Pallet	LF/Pallet	Wt./Pallet	
<b>Main Tees</b>									
M7	40	480	63	40	19,200	2,520	40	19,200	2,320
M7HRC	40	480	63	40	19,200	2,520	40	19,200	2,520
M7OL	40	480	64	40	19,200	2,560	40	19,200	2,560
M720	20	240	31	40	19,200	2,520	40	19,200	2,320
M7A	40	480	26	40	19,200	1,040	40	19,200	1,040
M7Z	40	480	63	40	19,200	2,520	40	19,200	2,600
M7-10	40	400	48	40	16,000	1,920	40	16,000	1,920
M9	40	480	55	40	19,200	2,200	40	19,200	2,000
M9HRC	40	480	55	42	20,160	1,302	42	20,160	1,302
M920	20	240	27	40	19,200	2,200	40	19,200	2,000
M9-10	40	400	46	40	16,000	1,840	40	16,000	1,840
M12	25	250	40	40	9,600	1,600	40	9,600	1,600
M18	20	240	33	—	—	—	—	—	—
MC11A25	25	250	50	—	—	—	—	—	—
M7CE	20	240	33	—	—	—	—	—	—
M7ACE	20	240	13	—	—	—	—	—	—
M20	25	250	255	—	—	—	—	—	—
M20SM	25	250	70	—	—	—	—	—	—
M20SM-2	20	200	70	—	—	—	—	—	—

SHADOW MOLDING

MS125	25	300	46	—	—	—	—	—	—
MS144	25	300	48	—	—	—	—	—	—
MS154	25	300	67	—	—	—	—	—	—
MS164	25	300	62	—	—	—	—	—	—

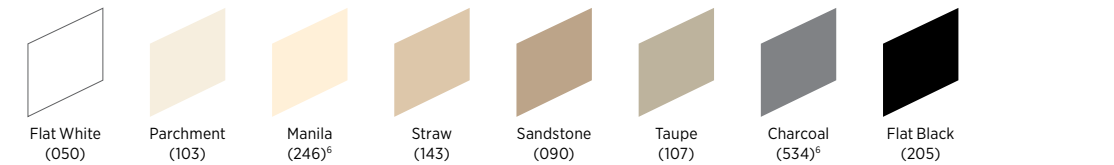
## SUSPENSION SYSTEM PACKAGING DATA

	Westlake & Cartersville						Stockton		
	Pcs./Ctn.	LF/Ctn.	Wt./Ctn.	Ctns./Pallet	LF/Pallet	Wt./Pallet	Ctns./Pallet	LF/Pallet	Wt./Pallet
<b>SHADOW MOLDING CONT.</b>									
MS174	25	300	43	—	—	—	—	—	—
MS174HRC	25	300	43	—	—	—	—	—	—
MS274	20	200	54	—	—	—	—	—	—
<b>CHANNEL MOLDING</b>									
US8	10	100	8	—	—	—	—	—	—
US12	50	500	44	—	—	—	—	—	—
US20	30	300	57	—	—	—	—	—	—
US28	30	300	63	—	—	—	—	—	—
US31	30	300	70	—	—	—	—	—	—
UA25	30	300	11	—	—	—	—	—	—
U-2-3/32	1	10	11	—	—	—	—	—	—
UA25CE	30	300	2	—	—	—	—	—	—
UA31	30	300	70	—	—	—	—	—	—
US28CE	30	300	63	—	—	—	—	—	—
<b>TRANSITION MOLDING</b>									
CPDWA15120	12	120	41	—	—	—	—	—	—
CPDWA9120	12	120	39	—	—	—	—	—	—
<b>F-MOLDING</b>									
MF8	10	100	28	—	—	—	—	—	—
MF10	10	100	29	—	—	—	—	—	—
<b>USG DRYWALL SUSPENSION SYSTEM</b>									
<b>Main Tees</b>									
DGLW-26, 26E	16	192	68	24	4,608	1,512	24	4,608	1,512
DGWSPI35E	16	180	64	24	4,320	1,418	24	4,320	1,418
<b>Cross Tees</b>									
DGLW224	48	96	29	24	2,304	648	24	2,304	648
DGLW2624	48	104	30	24	2,472	720	24	2,472	720
DGW324E	48	144	44	32	4,608	1,328	24	4,608	1,328
DGLW424, 424E	48	192	60	24	4,608	1,344	24	4,608	1,320
DGLW50	48	200	70	24	4,800	1,368	24	4,800	1,368
DGLW624	24	144	46	—	—	—	—	—	—
<b>Wall Molding</b>									
DGCM-27E	20	240	77	—	—	—	—	—	—
DGWM-24, 24E	30	360	94	17	6,120	1,598	17	6,120	1,479
DGLC-12	10	120	40	—	—	—	—	—	—

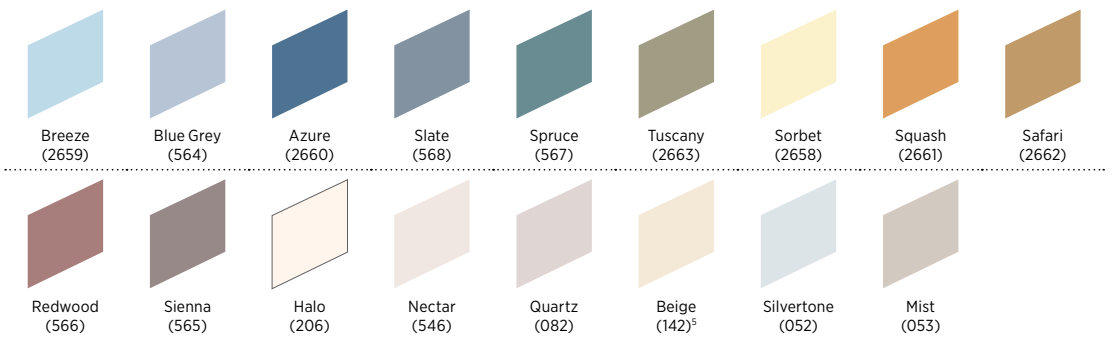
USG  
Ceiling  
Solutions

# USG CEILING SOLUTIONS COLOR PROGRAM

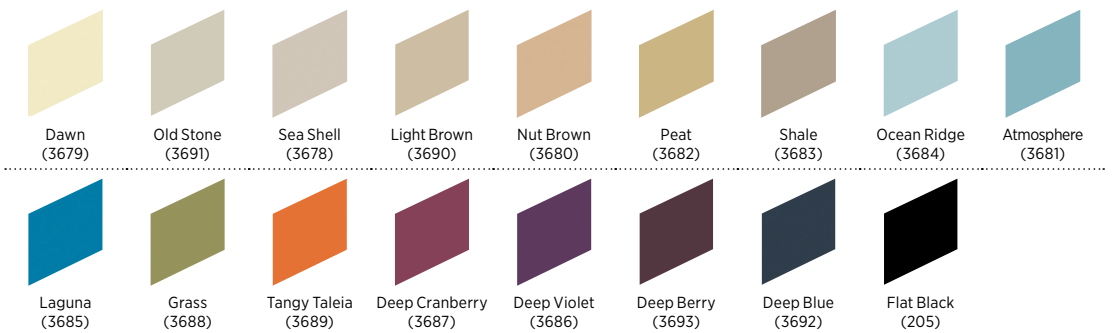
## STANDARD COLORS



## ADVANTAGE COLORS



## PREMIUM COLORS



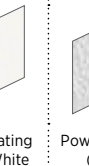
## STANDARD COLORS



## ADVANTAGE COLORS



## POWDER COATED FINISH



STANDARD COLORS FOR  
CEILING PANELS AND  
SUSPENSION SYSTEMS<sup>1,4</sup>

ADVANTAGE COLORS FOR  
CEILING PANELS AND  
SUSPENSION SYSTEMS<sup>1,4</sup>

PREMIUM COLORS FOR  
CEILING PANELS AND  
SUSPENSION SYSTEMS<sup>1,4</sup>

SUSPENSION  
SYSTEMS ONLY

CUSTOM COLOR  
MATCHING



### Note

Please consult your USG/CGC sales representative for custom colors. USG will match colors from most major paint manufacturers. Please to review all colors not listed in color programs for manufacturing capability.

### Notes

1. Samples shown are representative of colors for tile and grid only. Color may vary on specialty products.
2. Brass and Chrome available in USG Donn® Brand DX® / USG Donn® Brand DXL™ Acoustical Suspension System only. All Brass and Chrome items are service level C. Brass and Chrome cross tees available only in DXD™-type butt-cut ends. Shadow moldings are not available in Brass and Chrome.
3. Galvanized Low Gloss Clear is available in USG Donn® Brand DX® / USG Donn® Brand DXL™ Acoustical Suspension System only. Galvanized steel with a low gloss clear finish coat can vary significantly from lot to lot. This is due to the inherent differences in the hot-dipped galvanization coating process.
4. Grid colors applied to the visible cap only. For 360° painting, consult the Specialty Ceiling System price list. Moldings are painted on the exposed horizontal leg.
5. Beige is a Standard color for CGC Donn® Brand Suspension Systems.
6. Manila and Charcoal are Advantage not Standard colors for CGC Donn® Brand Suspension Systems.
7. To highlight the unique texture of USG Sandrift™ Acoustical Panels, choose light colors.

# USG COLOR PROGRAM FOR ACOUSTICAL PANELS

ORDER SAMPLES/LITERATURE  
USG: [samplit@usg.com](mailto:samplit@usg.com)  
CGC: contact Sales Representative

FOR MOST UP-TO-DATE TECHNICAL INFORMATION AND LEED REPORT TOOL  
[usgdesignstudio.com](http://usgdesignstudio.com)  
cgcdesignstudio.com

TECHNICAL SERVICES  
800 USG.4YOU (874-4968)

## AVAILABLE PANELS

Item No.	Size	Edge	Standard Colors <sup>8</sup>		Advantage Colors <sup>8</sup>		Premium Colors <sup>8</sup>		Sq. Ft./ Carton	Color Options	
			Min. Sq. Ft.	Lead Time Days	Min. Sq. Ft.	Lead Time Days	Min. Sq. Ft.	Lead Time Days			
<b>USG ECLIPSE™ CLIMAPLUS™</b> (SC1812)	76975	2'x2'x3/4"	FL	48	10	48	10	—	—	48	Standard colors (Flat Black and Charcoal not available.) Advantage: Beige, Mist, Silvertone only.
	76775	2'x2'x3/4"	SLT	48	10	48	10	—	—	48	
<b>USG FROST™</b> (SC1968)	414	2'x2'x3/4"	SLB	32	5	2,688	15	2,688	15	32	Standard, Advantage and Premium colors. Colors outside the Standard, Advantage and Premium programs are subject to approval by plants.
	418	2'x2'x3/4"	FL	32	10	2,688	15	2,688	15	32	
	419	2'x2'x3/4"	FLB	32	10	2,688	15	2,688	15	32	
<b>USG GLACIER™ BASIC</b> (SC1819)	707	2'x2'x3/4"	SL	32	5	2,688	15	2,688	15	32	Standard, Advantage and Premium colors. Colors outside the Standard, Advantage and Premium programs are subject to approval by plants.
	708	2'x2'x3/4"	FL	32	10	2,688	15	2,688	15	32	
<b>USG MARS™ HIGH-NRC/HIGH-CAC</b> (SC2487)	88137	2'x2'x1"	SQ	32	30-45	32	30-45	32	30-45	32	Premium colors offered. Standard and Advantage colors are all considered "Custom" for pricing.
	88138	2'x2'x1"	SLT	32	30-45	32	30-45	32	30-45	32	
	88139	2'x2'x1"	FLB	32	30-45	32	30-45	32	30-45	32	
	88134	2'x2'x7/8"	SQ	40	30-45	40	30-45	40	30-45	40	
	88135	2'x2'x7/8"	SLT	40	30-45	40	30-45	40	30-45	40	
	88136	2'x2'x7/8"	FLB	40	30-45	40	30-45	40	30-45	40	
	86186	2'x2'x3/4"	SQ	48	30-45	48	30-45	48	30-45	48	
	86786	2'x2'x3/4"	SLT	48	30-45	48	30-45	48	30-45	48	
	86986	2'x2'x3/4"	FLB	48	30-45	48	30-45	48	30-45	48	
	<b>USG PREMIER HI-LITE™ KAPOK</b> (SC1838)	7054G	2'x2'x5/8"	SQ	128	20	—	—	—	—	
7055G		2'x4'x5/8"	SQ	128	20	—	—	—	—	128	
7056G		2'x2'x5/8"	SQ	128	20	—	—	—	—	128	
7057G		2'x4'x5/8"	SQ	128	20	—	—	—	—	128	
<b>USG RADAR™</b> (SC2127)	2210	2'x2'x5/8"	SQ	64	10	64	10	—	—	64	Standard colors. Advantage: Beige, Mist, Silvertone only.
	2220	2'x2'x5/8"	SLT	64	10	64	10	—	—	64	
	2410	2'x4'x5/8"	SQ	64	10	64	10	—	—	64	
<b>USG RADAR™ ILLUSION™ TWO/24</b> (SC2126)	2842	2'x4'x3/4"	SLT	48	10	48	10	—	—	48	Standard colors (Flat Black and Charcoal not available.) Advantage: Beige, Mist, Silvertone only.
	Various	2'x2'x3/4"	SLB,	32	15	2,688	20	2,688	20	32	
<b>USG RENDITIONS™ ANIMATIONS</b> (IC327), <b>USG RENDITIONS™ BOUNDARIES</b> (IC332) AND <b>USG RENDITIONS™ CUSTOM FROST™ PANEL</b> (CLIMAPLUS™ NOT AVAILABLE) (IC356)											White, Standard, Advantage and Premium colors. (Advantage are 2,688 min. sq. ft.)  <b>Note</b> Custom colors are 25-day minimum lead time for USG Frost™.
<b>USG SANDRIFT™</b> (SC1841)	808 <sup>7</sup>	2'x2'x3/4"	SL	32	5	2,688	15	2,688	15	32	Standard, Advantage and Premium colors. Colors outside the Standard, Advantage and Premium programs are subject to approval by plants.
	809 <sup>7</sup>	2'x2'x3/4"	FL	32	10	2,688	15	2,688	15	32	

8. For colors, it is not recommended to mix date codes or lot numbers

# USG COLOR PROGRAM FOR SUSPENSION SYSTEMS

ORDER SAMPLES/LITERATURE  
USG: [samplit@usg.com](mailto:samplit@usg.com)  
CGC: contact Sales Representative

FOR MOST UP-TO-DATE TECHNICAL INFORMATION AND LEED REPORT TOOL  
[usgdesignstudio.com](http://usgdesignstudio.com)  
cgcdesignstudio.com

TECHNICAL SERVICES  
800 USG.4YOU (874-4968)

## STANDARD, ADVANTAGE, PREMIUM COLORS

- All standard products seen below are available within 15 days unless otherwise noted:
  - AX™
  - DXT™/DXLT™
  - DX®/DXL™
  - DXLA™
  - DXF™/DXLF™
  - DXFF™
  - DXI™

- One-carton minimum for suspension systems.
- Suspension systems have color caps only.
- For 360° painting, consult the Specialty Ceiling System price list.
- Moldings are painted on the exposed horizontal leg.
- All metric items are offered in Flat White, USG service level C and CGC service level B. MEDXF3600, MEDXF600 and MEDXF1200N also offered in Flat White with Black Reveal, USG service level C and CGC service level B.

## CUSTOM COLORS

- Suspension systems and panels are also available in colors not listed in Standard, Advantage and Premium offerings.
- A 3"x5" color chip is needed for matching.
- Lead time for custom colors will be 15 days unless otherwise notified
- Minimum order quantities may apply.

## POWDER-COATED FINISHES

- Suspension systems and panels are also available in colors not listed in Standard, Advantage and Premium offerings.
- Colors other than Standard, Advantage and Premium offerings are subject to approval.
- A 3"x5" color chip is needed for matching.
- Suspension systems not included in the Standard, Advantage and Premium color program are available as custom colors.
- Lead time will be quoted via the Request-To-Quote (RTQ) and will start after acceptance of color match.
- Minimum order quantities may apply.

## POWDER-COATED FINISHES

- Standard QS Items in Powder White 3767 available in 15 days
- Standard, Advantage, and Premium colors available
  - Contact customer service for lead times on specific orders
- Minimum quantities may apply.

## SUSPENSION SYSTEM SERVICE LEVELS

Level	Lead time from order acceptance
<b>Quick Ship</b>	1-2 days
<b>A</b>	5-7 days
<b>B</b>	15 days
<b>C</b>	30 days
<b>Advantage and Premium Colors</b>	Typically 5 weeks from order.

Manufactured by  
USG Interiors, LLC  
550 West Adams Street  
Chicago, IL 60661

**Notice**  
The information in this document is subject to change without notice. CGC Inc. or USG Corp. assumes no responsibility for any errors that may inadvertently appear in this document.

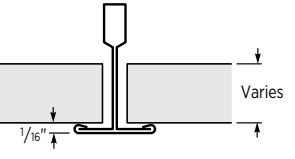
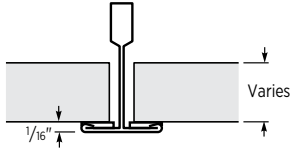
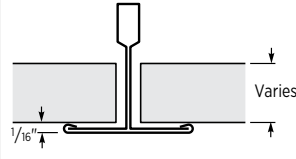
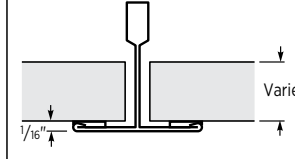
SC1859/rev. 4-22  
© 2022 USG Corporation and/or its affiliates. All rights reserved. Printed in USA

The trademarks USG, CGC, AX, AXCE, CE, CENTRICITEE, CLIMAPLUS, DONN, DX, DXACE, DXD, DXF, DXFF, DXI, DXL, DXLA, DXLF, DXLT, DXSS, DXT, DXW, ECLIPSE, FINELINE, FROST, GLACIER, IDENTITEE, LOGIX, MARS, PREMIER HI-LITE, RADAR, RENDITIONS, SANDRIFT, ZILA, IT'S YOUR WORLD, BUILD IT., the USG/CGC logo, the design elements and colors, and related marks are trademarks of USG Corporation or its affiliates.

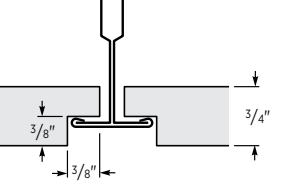
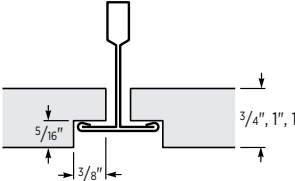
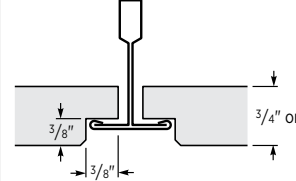
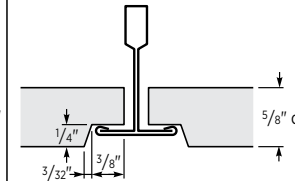
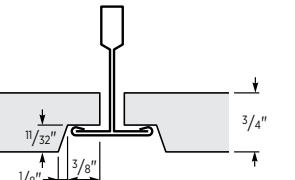
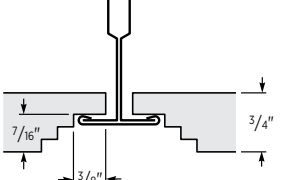
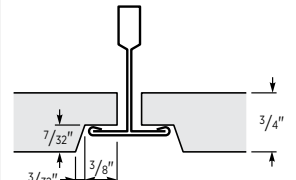
Safety First! Follow good safety/industrial hygiene practices during installation. Wear appropriate personal protective equipment. Read SDS and literature before specification and installation.

# SYSTEM INTERFACE

## 15/16" Square and Flush Edge Details

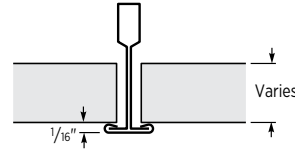
<p>Edge Type: <b>SQ Edge</b>                  Tile Type: <b>All Tile</b>                  Grid Type: <b>USG DX*</b>                  Wall Molding: <b>All</b></p> <p><b>1</b></p> 	<p>Edge Type: <b>SQ Edge</b>                  Tile Type: <b>All Tile</b>                  Grid Type: <b>USG DXCE™</b>                  Wall Molding: <b>M7CE, US28CE</b></p> <p><b>2</b></p> 	<p>Edge Type: <b>SQ Edge</b>                  Tile Type: <b>All Tile</b>                  Grid Type: <b>USG DXW™</b>                  Wall Molding: <b>All</b></p> <p><b>3</b></p> 	<p>Edge Type: <b>SQ Edge</b>                  Tile Type: <b>All Tile</b>                  Grid Type: <b>USG DXWCE™</b>                  Wall Molding: <b>M7CE, US28CE</b></p> <p><b>4</b></p> 
---	--	---	---

## 15/16" Reveal Edge Details

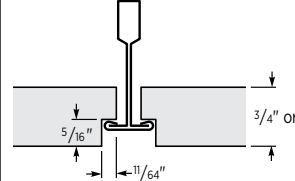
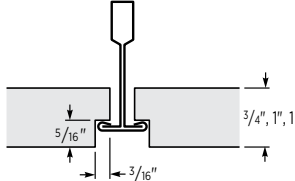
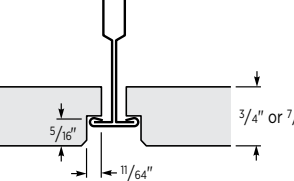
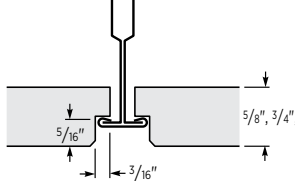
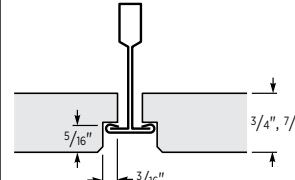
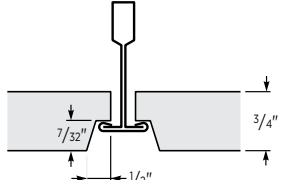
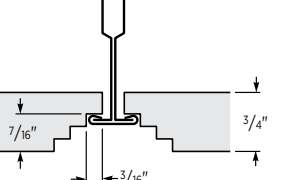
<p>Edge Type: <b>SL Edge</b>                  Tile Type: <b>Cast</b>                  Grid Type: <b>USG DX*</b>                  Wall Molding: <b>All angles, MS144 opt 2, MS174</b></p> <p><b>5</b></p> 	<p>Edge Type: <b>SL Edge</b>                  Tile Type: <b>USG Halcyon™</b>                  Grid Type: <b>USG DX*</b>                  Wall Molding: <b>All angles, MS125</b></p> <p><b>6</b></p> 	<p>Edge Type: <b>SLB Edge</b>                  Tile Type: <b>Cast</b>                  Grid Type: <b>USG DX*</b>                  Wall Molding: <b>All angles, MS144 side 2, MS174</b></p> <p><b>7</b></p> 	<p>Edge Type: <b>SLT Edge</b>                  Tile Type: <b>Wet-Formed</b>                  Grid Type: <b>USG DX*</b>                  Wall Molding: <b>All angles, MS125</b></p> <p><b>8</b></p> 
<p>Edge Type: <b>SLT Edge</b>                  Tile Type: <b>USG Eclipse™, Mars™</b>                  Grid Type: <b>USG DX*</b>                  Wall Molding: <b>All angles, MS125</b></p> <p><b>9</b></p> 	<p>Edge Type: <b>SL Pedestals™ Edge</b>                  Tile Type: <b>USG Eclipse™</b>                  Grid Type: <b>USG DX*</b>                  Wall Molding: <b>All angles, MS144 side 1</b></p> <p><b>10</b></p> 	<p>Edge Type: <b>SLT Illusion™ Edge</b>                  Tile Type: <b>USG Eclipse™</b>                  Grid Type: <b>USG DX*</b>                  Wall Molding: <b>All angles, MS125</b></p> <p><b>11</b></p> 	

# SYSTEM INTERFACE

## 9/16" Square and Flush Edge Details

<p>Edge Type: <b>SQ Edge</b>                  Tile Type: <b>All Tile</b>                  Grid Type: <b>USG DXT™</b>                  Wall Molding: <b>All</b></p> <p><b>12</b></p> 
---

## 9/16" Reveal Edge Details with USG DXT™ Grid

<p>Edge Type: <b>FL Edge</b>                  Tile Type: <b>Cast</b>                  Grid Type: <b>USG DXT™</b>                  Wall Molding: <b>All angles, MS125</b></p> <p><b>13</b></p> 	<p>Edge Type: <b>FL Edge</b>                  Tile Type: <b>USG Eclipse™ &amp; Halcyon™</b>                  Grid Type: <b>USG DXT™</b>                  Wall Molding: <b>All angles, MS125</b></p> <p><b>14</b></p> 	<p>Edge Type: <b>FLB Edge</b>                  Tile Type: <b>Cast</b>                  Grid Type: <b>USG DXT™</b>                  Wall Molding: <b>All angles, MS125</b></p> <p><b>15</b></p> 	<p>Edge Type: <b>FLB Edge</b>                  Tile Type: <b>Wet-Formed</b>                  Grid Type: <b>USG DXT™</b>                  Wall Molding: <b>All angles, MS125</b></p> <p><b>16</b></p> 
<p>Edge Type: <b>FLB Edge</b>                  Tile Type: <b>USG Mars™</b>                  Grid Type: <b>USG DXT™</b>                  Wall Molding: <b>All angles, MS125</b></p> <p><b>17</b></p> 	<p>Edge Type: <b>ILT Illusion™ Edge</b>                  Tile Type: <b>USG Eclipse™</b>                  Grid Type: <b>USG DXT™</b>                  Wall Molding: <b>All angles, MS125</b></p> <p><b>18</b></p> 	<p>Edge Type: <b>PE Pedestals™ Edge</b>                  Tile Type: <b>USG Eclipse™</b>                  Grid Type: <b>USG DXT™</b>                  Wall Molding: <b>All angles, MS144 side 1</b></p> <p><b>19</b></p> 	

- Notes**  
 1. Maximum 2' x 2' with SQ edge panels.

**9/16" Reveal Edge Details with USG DXF™ Grid**

<p>Edge Type: <b>FL Edge</b>                  Tile Type: <b>Cast</b>                  Grid Type: <b>USG DXF™</b>                  Wall Molding: <b>All angles, MS174</b></p> <p>20</p>	<p>Edge Type: <b>FL Edge</b>                  Tile Type: <b>USG Eclipse™ &amp; Halcyon™</b>                  Grid Type: <b>USG DXF™</b>                  Wall Molding: <b>All angles, MS174</b></p> <p>21</p>	<p>Edge Type: <b>FLB Edge</b>                  Tile Type: <b>Cast</b>                  Grid Type: <b>USG DXF™</b>                  Wall Molding: <b>All angles, MS174</b></p> <p>22</p>	<p>Edge Type: <b>FLB Edge</b>                  Tile Type: <b>Wet-Formed</b>                  Grid Type: <b>USG DXF™</b>                  Wall Molding: <b>All angles, MS174</b></p> <p>23</p>
<p>Edge Type: <b>FLB Edge</b>                  Tile Type: <b>USG Mars™</b>                  Grid Type: <b>USG DXF™</b>                  Wall Molding: <b>All angles, MS174</b></p> <p>24</p>			

**9/16" Reveal Edge Details with USG DXFF™ Grid**

<p>Edge Type: <b>FL Edge</b>                  Tile Type: <b>Cast</b>                  Grid Type: <b>USG DXFF™</b>                  Wall Molding: <b>All angles, MS174</b></p> <p>25</p>	<p>Edge Type: <b>FL Edge</b>                  Tile Type: <b>USG Eclipse™ &amp; Halcyon™</b>                  Grid Type: <b>USG DXFF™</b>                  Wall Molding: <b>All angles, MS174</b></p> <p>26</p>	<p>Edge Type: <b>FLB Edge</b>                  Tile Type: <b>Cast</b>                  Grid Type: <b>USG DXFF™</b>                  Wall Molding: <b>All angles, MS174</b></p> <p>27</p>	<p>Edge Type: <b>FLB Edge</b>                  Tile Type: <b>Wet-Formed</b>                  Grid Type: <b>USG DXFF™</b>                  Wall Molding: <b>All angles, MS174</b></p> <p>28</p>
<p>Edge Type: <b>FLB Edge</b>                  Tile Type: <b>USG Mars™</b>                  Grid Type: <b>USG DXFF™</b>                  Wall Molding: <b>All angles, MS174</b></p> <p>29</p>			

**9/16" Reveal Edge Details with USG DXI™ Grid**

<p>Edge Type: <b>FL Edge</b>                  Tile Type: <b>Cast</b>                  Grid Type: <b>USG DXI™</b>                  Wall Molding: <b>M7, M9, MS125</b></p> <p>30</p>	<p>Edge Type: <b>FL Edge</b>                  Tile Type: <b>USG Eclipse™ &amp; Halcyon™</b>                  Grid Type: <b>USG DXI™</b>                  Wall Molding: <b>M7, M9, MS125</b></p> <p>31</p>	<p>Edge Type: <b>FLB Edge</b>                  Tile Type: <b>Cast</b>                  Grid Type: <b>USG DXI™</b>                  Wall Molding: <b>M7, M9, MS125</b></p> <p>32</p>	<p>Edge Type: <b>FLB Edge</b>                  Tile Type: <b>Wet-Formed</b>                  Grid Type: <b>USG DXI™</b>                  Wall Molding: <b>M7, M9, MS125</b></p> <p>33</p>
<p>Edge Type: <b>FLB Edge</b>                  Tile Type: <b>USG Mars™</b>                  Grid Type: <b>USG DXI™</b>                  Wall Molding: <b>M7, M9, MS125</b></p> <p>34</p>	<p>Edge Type: <b>ILT Illusion™ Edge</b>                  Tile Type: <b>USG Eclipse™</b>                  Grid Type: <b>USG DXI™</b>                  Wall Molding: <b>M7, M9, MS125</b></p> <p>35</p>	<p>Edge Type: <b>PE Pedestals™ Edge</b>                  Tile Type: <b>USG Eclipse™</b>                  Grid Type: <b>USG DXI™</b>                  Wall Molding: <b>M7, M9, MS125</b></p> <p>36</p>	

**15/16" Kerf Edge Details**

<p>Edge Type: <b>BESK Edge</b>                  Tile Type: <b>Wet Formed</b>                  Grid Type: <b>USG DX*</b>                  Wall Molding: <b>All angles</b></p> <p>37</p>	<p>Edge Type: <b>WDAR Edge</b>                  Tile Type: <b>USG True® Wood</b>                  Grid Type: <b>USG DX*</b>                  Wall Molding: <b>See IC561</b></p> <p>38</p>	<p>Edge Type: <b>Snap-in Edge</b>                  Tile Type: <b>USG Celebration™ Snap-in</b>                  Grid Type: <b>USG DXF™</b>                  Wall Molding: <b>See SC2561</b></p> <p>39</p>
--	---	--

**Tounge and Groove Edge Details**

<p>Edge Type: <b>SF Staple Flange</b>                  Tile Type: <b>Wet-Formed</b>                  Grid Type: <b>N/A</b>                  Wall Molding: <b>All angles</b></p> <p>40</p>
---



USG Millennia® 2'x2' Acoustical Ceiling Panel, and Donn® Brand Fineline® DXF™ Acoustical Suspension System.  
Computer generated image.



**TRADEMARKS**

The trademarks USG, CGC, ACOUSTIC SF, ASPEN, ASTRO, AX, AXCE, CE, CENTRICITEE, CLEAN ROOM, CLIMAPLUS, DONN, DX, DXACE, DXF, DXFEV, DXFF, DXI, DXL, DXLA, DXLF, DXLT, DXSS, DXT, DXW, ECLIPSE, ECOBLUEPRINT, FINELINE, FIRECODE, "F" FISSURED, FISSURED, FROST, GLACIER, HALCYON, IDENTITEE, MARS, MICRO, MILLENNIA, OLYMPIA, ORION, PEBBLED, PEDESTALS, PREMIER HI-LITE, NUBBY, QUICK-RELEASE, RADAR, ROCK FACE, SANDRIFT, SHEETROCK, TOUCHSTONE, USG CEILINGS, ZXLA, IT'S YOUR WORLD. BUILD IT., the USG/CGC logo, the design elements and colors, and related marks are trademarks of USG Corporation or its affiliates.

LEED and LEED Green Building Rating System are registered trademarks of the U.S. Green Building Council.

**NOTE**

Products described here may not be available in all geographic markets. Consult your USG Company sales office or representative for information.

**NOTICE**

We shall not be liable for incidental and consequential damages, directly or indirectly sustained, nor for any loss caused by application of these goods not in accordance with current printed instructions or for other than the intended use. Our liability is expressly limited to replacement of defective goods. Any claim shall be deemed waived unless made in writing to us within thirty (30) days from date it was or reasonably should have been discovered.

**SAFETY FIRST!**

Follow good safety and industrial hygiene practices during handling and installation of all products and systems. Take necessary precautions and wear the appropriate personal protective equipment as needed. Read SDS and related literature on products before specification and/or installation on usg.com, usgdesignstudio.com

USG Radar™ 2'x2' Acoustical Ceiling Panel, and Donn® Brand DXL™ Acoustical Suspension System.  
Computer generated image.



USG Eclipse™ 2'x2' Acoustical Ceiling Panel, and  
Donn® Brand DXL(TM) Acoustical Suspension System.  
Computer generated image.



#### **PRODUCT INFORMATION**

For the most up-to-date technical information, visit [usgdesignstudio.com](http://usgdesignstudio.com)

#### **CUSTOMER SERVICE**

800 950-3839

#### **TECHNICAL SERVICE**

800 USG.4YOU (874-4968)

#### **WEBSITES**

[usg.com](http://usg.com)  
[usgdesignstudio.com](http://usgdesignstudio.com)

#### **SAMPLES/LITERATURE**

[usg.com](http://usg.com) or [samplit@usg.com](mailto:samplit@usg.com)



#### **SEE US ON YOUTUBE**

[USG Corporation](https://www.youtube.com/USGCorporation)



#### **FIND US ON FACEBOOK**

[USGBuild](https://www.facebook.com/USGBuild) or [USGCreate](https://www.facebook.com/USGCreate)



#### **FOLLOW US ON LINKEDIN**

[USGCORP](https://www.linkedin.com/company/USGCORP)



#### **SEE US ON INSTAGRAM**

[USGCORP](https://www.instagram.com/USGCORP)