

USG
Ceiling
Solutions



SET YOUR DESIGN APART.
Drywall Suspension System

USG  **CGC**

IT'S YOUR WORLD. BUILD IT.®

ONE SYSTEM, ENDLESS POSSIBILITIES

Drywall ceilings take a dramatic new shape with the USG Drywall Suspension System. This advanced system is pre-engineered to simplify planning and construction, ensuring that your design looks as good in real life as in your original concept.

- Offices
- Lobbies
- Conference Rooms
- Schools
- Retail
- Hospitality
- Entertainment



USG DRYWALL SUSPENSION SYSTEM GUIDE

The USG Drywall Suspension System is specifically designed to construct curved, domed, and conventional flat drywall and plaster ceilings. The system assembles quickly and easily for faster installation as compared to traditional framing. System accessories and integrated straight and curved components offer easy transitions to vertical, horizontal or curved surfaces. Plus, the USG Drywall Suspension System has a lifetime limited warranty when used with USG Sheetrock® brand gypsum panels.

INTRODUCTION	System Overview	4
	System Benefits	5
COMPONENTS	System Components	6
	Component Hole Punching	7
	System Accessories	9
SYSTEM APPLICATIONS	Flat Drywall Ceilings	12
	USG Sheetrock® Brand Panels Information	15
	Corridors	17
	Index Support Bar	20
	Direct Mount System	22
	Transitions	24
	Boxed Soffits	26
	Curved Soffits	27
	Fascias	31
	Vaults	36
	Vaults and Valleys	38
	Domes	42
	Utility and Light Fixture Interfaces	44
	Fire-Rated Assemblies Information	47
	Exterior Application Wind Load Data	51
Stucco/Plaster/EIFS System	52	
Seismic Requirements	56	
APPLICATION GUIDE SPECIFICATIONS	Flat Drywall Ceilings	57
	Domes	62
	Curved Drywall Ceilings	65
FOR MORE INFORMATION	Technical Service 800 USG.4YOU	
	Web Site www.usg.com	

SYSTEM OVERVIEW

FLAT CEILINGS

The USG Drywall Suspension System is engineered to replace traditional framing such as steel studs or cold-rolled channel and drywall furring channel for gypsum board ceiling installations. Main tees and cross tees snap together, which reduces wire ties. The system is suspended with 12-gauge hanger wire, which is easier to work with as compared to the 9-gauge required with cold-rolled channels.

CORRIDOR CEILINGS

The USG Drywall Suspension System—Wall-to-Wall is specifically designed for corridors and small rooms with crowded plenum spaces or with tight clearance to the deck above. The system can span up to 8' with no hanger wires or other intermediate support.

DIRECT MOUNT CEILINGS

The Drywall Suspension Direct Mount System is designed for quicker installation in shallow plenum or Wall-To-Wall applications. The Close Mount Attachment Clip (CMAC-1) provides strong deck support connection without the use of hanger wires in tight plenum applications like Hotels, Dormitories, and Multi-Family Units. The Drywall Grid Locking Channel (DGLC-12) locked tees into the perimeter without required fastening.

CURVED CEILINGS

The USG Drywall Suspension System is an excellent choice for curved ceilings with serpentine shapes, vaults or valleys. All components are custom bent at the factory, which results in precise, consistent curves and eliminates field bending. The system supports gypsum board and plaster, offering the ultimate in design freedom.

DOMES

The USG Drywall Suspension System can be used to easily frame domes. Once the dome is designed, USG will engineer the framing system and custom bend all of the components at the factory. The pieces are then supplied as an easy-to-install kit that eliminates field bending and guesswork. USG Drywall Suspension domes can be finished with either gypsum board or plaster.

ONLINE ESTIMATING TOOLS

Estimating tools that generate a complete bill of materials for domes, vaults and valleys are available at [usg.com](https://www.usg.com).

How it works: Go to [usg.com](https://www.usg.com) > Installation & Technical > Material Estimator and click on either “Dome Estimator,” “Vault Estimator” or “Vaulted Dome Estimator.” Enter the dimension and other parameters when prompted, and the tools will generate a bill of materials, including all required accessories and general installation guidelines with hanger wire locations.

SYSTEM BENEFITS

The USG Drywall Suspension System offers distinct advantages over traditional drywall ceiling framing systems.

MAIN TEES

Heavy-duty, fire-rated systems for all flat ceiling applications increase flexibility; available in 1-1/2" for flat and curved ceilings.

MAIN-TEE SPLICES

Integral reversible end detail for flat ceilings with fast, locked-in connections.

CROSS TEES

Quick-Release™ clip for faster installation; eliminates wire tying; removes without tools; speeds rework.

KNURLED-FACE COMPONENTS

Easier screw penetration on all components.

GALVANIZED STEEL

G40 available for most environments, G90 for more severe conditions.

SYSTEM FLEXIBILITY

Easily transitions from soffits, flat and curved surfaces; also transitions to acoustical ceilings.

UL DESIGNS

More than 60 UL-listed fire-resistant designs are available, including 30 with DGLW624 cross tees.

USG CEILING BUNDLE WARRANTY

Lifetime limited warranty (30-year; see SC2102) when used with USG Sheetrock® Brand Gypsum Panels.

STANDARD SUSPENSION SYSTEM WARRANTY

10-year on suspension system when not used with USG Sheetrock® Brand Gypsum Panels

ACCEPTS TYPE F OR G FIXTURES

Main tees and cross tees are punched to easily frame openings for both Type G and Type F light fixtures.

12-GAUGE WIRE

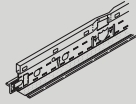
Easier to work with than the 9-gauge wire required with traditional framing systems.

EVALUATION AND COMPLIANCE

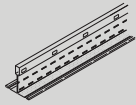
USG developed an exclusive Drywall Suspension ICC ES Evaluation Report to assist with material, installation, and inspection compliance - ICC ESR-4358.

SYSTEM COMPONENTS

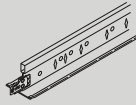
STRAIGHT MAIN TEES



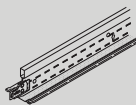
WALL-TO-WALL SYSTEM STRAIGHT TEE



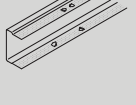
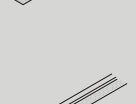
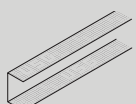
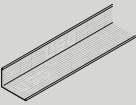
CROSS TEES



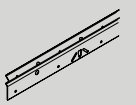
DIRECT MOUNT SPANNING TEES



MOLDINGS



WALL-TO-WALL SUPPORT BAR



	ASTM Class	Length	Height	Item No.	Class	Rated Load 4' Hanger Spacing
DGLW 	Heavy Duty	12'	1-5/8"	DGLW26 DGLW26E		16.0 lbs./LF
DGWSP 	Heavy Duty	135"	1-5/8"	DGWSP135E	Class A	16.0 lbs./LF
DGW 	Heavy Duty	6' to 14', Custom	1-5/8"	DGW26s	Class A	16.0 lbs./LF
DGLW 	—	2'	1-1/2"	DGLW224 DGLW224E		—
	—	26"	1-1/2"	DGLW2624		—
	—	4'	1-1/2"	DGLW424 DGLW424E		—
	—	50"	1-1/2"	DGLW50		—
	—	6'	1-1/2"	DGLW624		—
DGW 	—	3'	1-1/2"	DGW324E	Class A	—
DGW 	—	5' 6' 7' 8'	1-5/8"	DGW-6026DM DGW-7226DM DGW-8426DM DGW-9626DM	Class A	—
DGWM 	—	12'	1"	DGWM-24 DGWM-24E	—	—
DGCM 	—	12'	1-5/8"	DGCM-27E	—	—
DGLC 	—	12'	1-3/4"	DGLC-12	—	—
ISB109 	—	109-1/2"	2-1/8"	ISB109	—	—

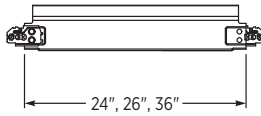
Note: Product names notated with "E" offer a G90 coating for external environments.

COMPONENT HOLE PUNCHING

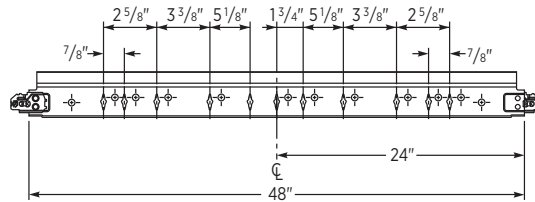
FLAT DRYWALL CEILINGS

CROSS TEES

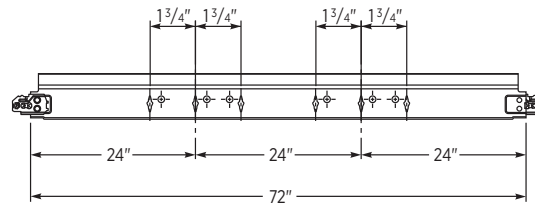
DGLW224
DGLW224E
DGLW2624
DGW324E



DGLW424
DGLW424E

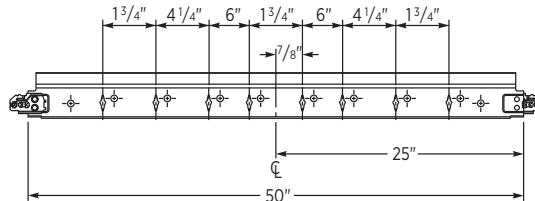


DGLW624



DGLW50

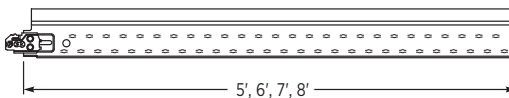
Specially designed for framing Type F light fixtures, these cross tees require no field-cutting and provide more options for fixture placement, including centered between main tees.



SPANNING TEES

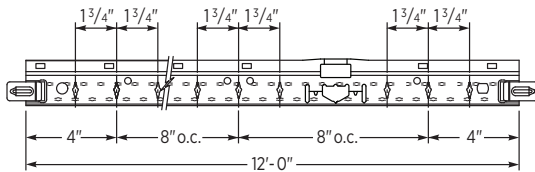
DGWxxxxDM
Direct Mount
System

Designed for use in the Drywall Suspension Direct Mount System. Spanning Tees have a cross tee clip at one end to engage the DGLW26 and a flush end at the other to lock into the DGLC-12 at the perimeter.

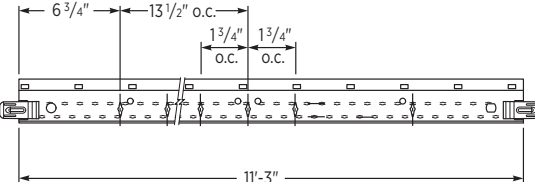


STRAIGHT MAIN TEE

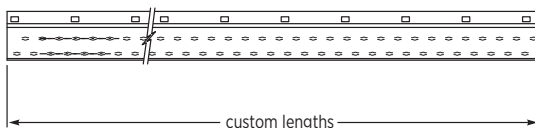
DGLW26
DGLW26E



DGWSP135E



DGW26S
Wall-to-Wall
System



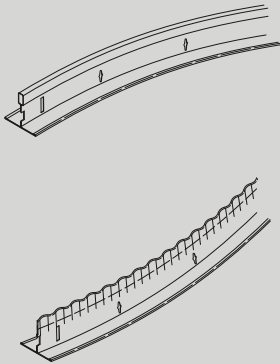
SYSTEM COMPONENTS

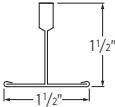
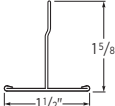
CURVED DRYWALL CEILINGS

CUSTOM CURVES

All curved main tees are custom-made to meet design requirements and to dramatically simplify the process of building curved drywall ceilings. Whether designing barrel vaults, domes, archways, valleys, waves or serpentine, the curved grid allows for smooth transitions to flat ceilings, soffits or acoustical ceiling suspension systems. Below, in the item number nomenclature, "xxx" is a placeholder for a custom radius in inches. For example, DGW6VT360 has a radius of 360 inches.

SYSTEM COMPONENTS

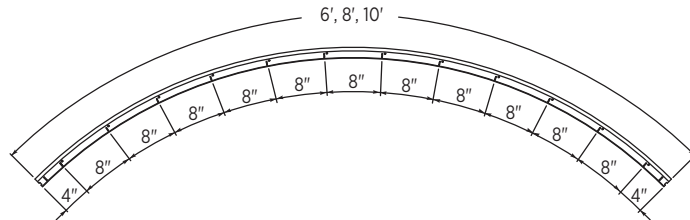


						Rated Load		
Curved Main Tees		Radius	Arc Length	Height	Item No.	Class	2' Hanger Spacing	4' Hanger
Vault 		31"-44"	6'	1-1/2"	DGW6VTxxx	Class A	—	16.0 lbs./LF
		45"-60"	8'	1-1/2"	DGW8VTxxx	Class A	—	16.0 lbs./LF
		61"-239"	10'	1-1/2"	DGW10VTxxx	Class A	—	16.0 lbs./LF
		240"+	12'	1-1/2"	DGW12VTxxx	Class A	—	16.0 lbs./LF
Valley² 		31"-44"	6'	1-5/8"	DGW6VYxxx	Class A	16.0 lbs./LF	—
		45"-60"	8'	1-5/8"	DGW8VYxxx	Class A	16.0 lbs./LF	—
		61"-239"	10'	1-5/8"	DGW10VYxxx	Class A	16.0 lbs./LF	—

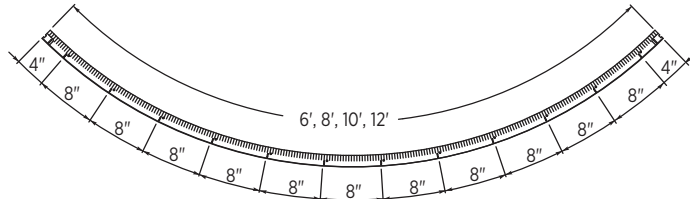
² As tested per independent testing agency, valleys require hanger wire spacing of 2' on center.

CURVED MAIN TEES

Vaults



Valleys



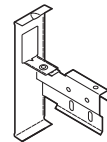
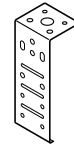
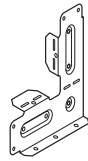
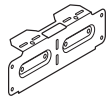
Note: Length depends on radius. See chart on page 40.

SYSTEM ACCESSORIES

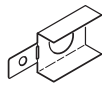
These are the accessories for the USG Drywall Suspension System. Many of the accessories are multifunctional. Transitions from soffits, curved or flat surfaces can be easier with the use of these accessories.

ACCESSORIES

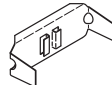
DGSC-180 – Splice Clip	DGTC-90 – Transition Clip	CMAC-1 – Close Mount Attachment Clip	DGC4, DGC6, DGC8 – Compasso™ Drywall Clip
-------------------------------	----------------------------------	---------------------------------------------	--------------------------------------------------



DGWC – Wall Attachment Clip



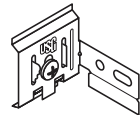
DGSP-180 – Splice Plate



DGHUB – Dome Hub

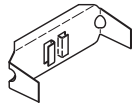


Compasso™ Elite Drywall Clip

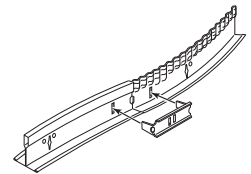


SPLICE PLATE

DGSP-180

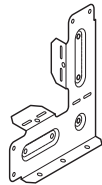


The splice plate connects factory cut ends of all curved main tees, both vaults and valleys. When building a dome, it connects primary main tee to the dome hub.

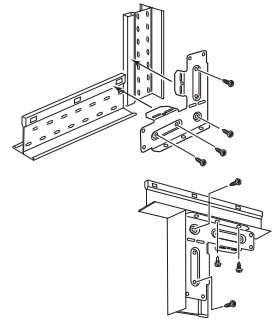


TRANSITION CLIP

DGTC-90 Application A

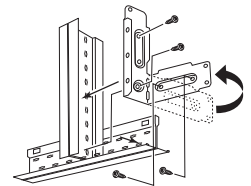


The transition clip securely joins two intersecting grid components, regardless of face width, at a 90° angle. Bend down tabs secure the clip to the grid. Screws are required to provide a structural connection.



Application B Field Modified

The transition clip has a slotted bend line to facilitate connecting grid members that are not in a line.

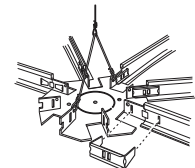


DOMES HUB

DGHUB

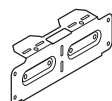


The dome hub serves as a base from which primary spokes are connected with splice plates.

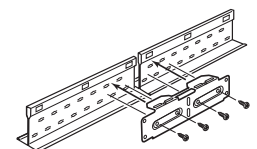


SPLICE CLIP

DGSC-180 Application A

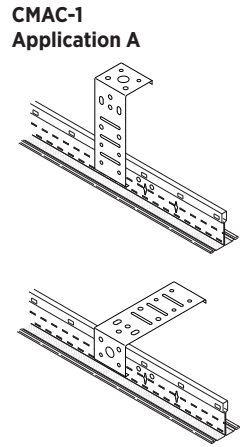


The primary purpose of the splice clip is to join two in-line main tees field-cut to length, either straight or curved.



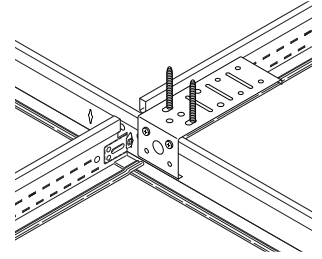
SYSTEM ACCESSORIES

CLOSE MOUNT ATTACHMENT CLIP



The Close Mount Attachment Clip is used to attach the Drywall Suspension Main Tee directly to the above structure. CMAC-1 can be installed into most deck applications, including concrete. Similar to suspended hanger wires, the CMAC-1 placement should be measured for spacing requirements along the deck. Additionally, CMAC-1 can be cut for specific plenum depths.

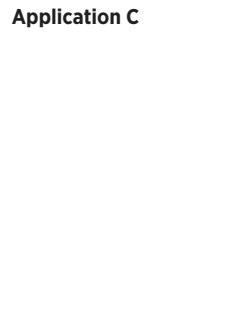
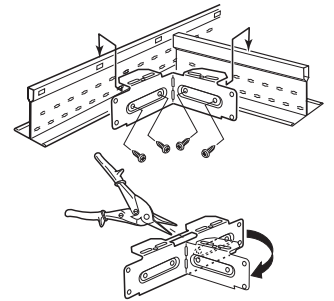
CMAC-1 can be installed vertically or horizontally depending on need.



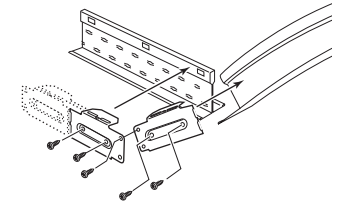
SPLICE CLIP



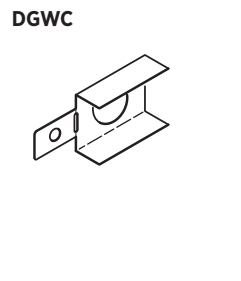
Another common use of the splice clip is joining two grid tees that are intersecting off a module, such as a utility opening. The link joining the bend-down tabs on the clip is cut, allowing it to be folded on the slotted bend line.



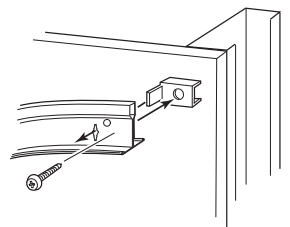
The splice clip also is used to connect two main tees that are in line but intersecting at an angle, such as a flat ceiling transitioning to a vault. This application requires not only cutting the connecting link but also separating the clip at the slotted bend line. The two halves are then rejoined with a pop-rivet or screw through the holes on the clip ends. Use top hole in clip for straight to vaults. Use bottom hole in clip for straight to valleys.



WALL ATTACHMENT CLIP



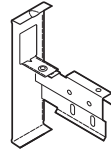
The wall attachment clip acts as a spacer between the wall surface and the web of the grid when curved main tees need to be secured to the wall at a wall stud. This prevents twisting of the grid and insures a sound installation.



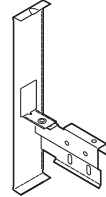
SYSTEM ACCESSORIES

COMPÄSSO™ STANDARD CLIPS

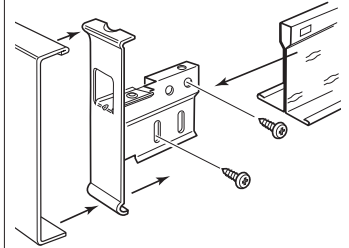
DGC4
DGC6
DGC8



DCC10
DGC12

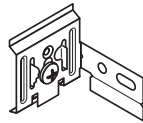


Compässon Standard suspension trim clips are available to match 4", 6", 8", 10" and 12" Compässon trim. These clips are adjustable for both 1/2" and 5/8" drywall. The two portions of the clip are pivoted to accommodate Compässon trim at any angle in relation to the grid.

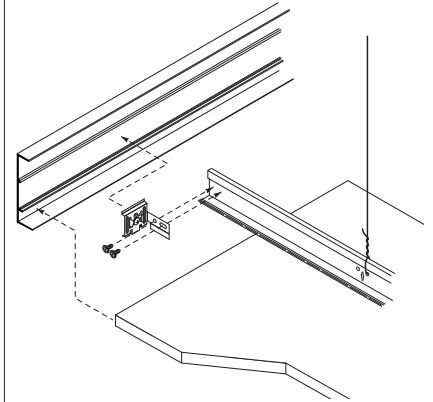


COMPÄSSO™ ELITE CLIPS

CPALAC1

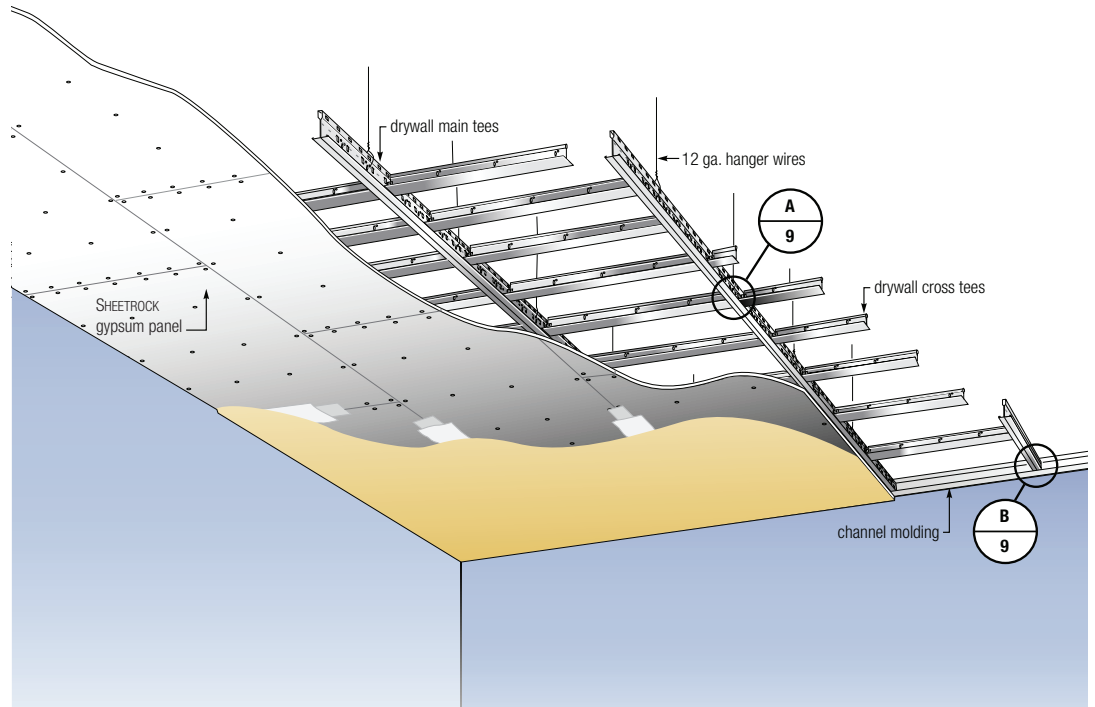


USG Compässon Elite CPALAC1 clips are for the Drywall extruded aluminum trim. The clips will fit all available trim heights of 2-1/2", 4", 6", and 8".



FLAT DRYWALL CEILINGS

Framing gypsum board ceilings with the USG Drywall Suspension System is faster compared to using cold-rolled channel and hatchannel. Pre-engineered components are designed for maximum installation speed, including main tees with cross-tee punchings to facilitate framing for Type F and Type G light fixtures.

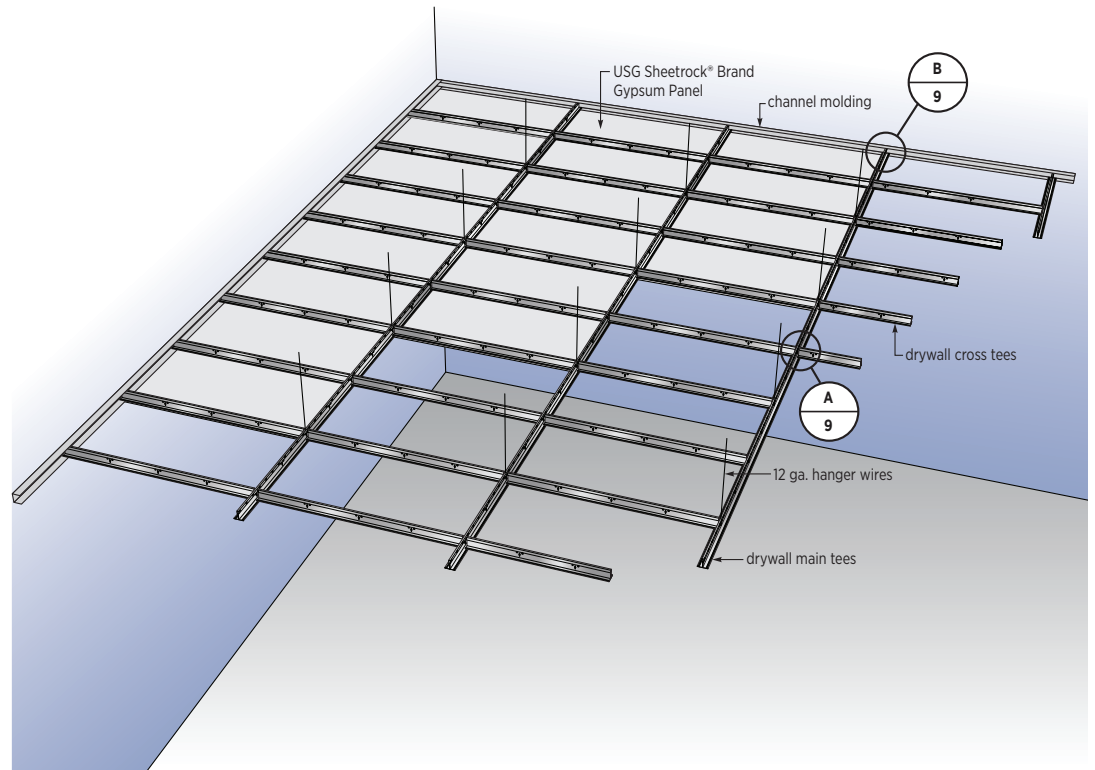


- Ceiling loads for various main-tee and cross-tee spacing are provided in the table on page 16.
- See pages 47-50 for special requirements for fire-rated assemblies.

Note: These renderings and details are provided for illustrative purposes only and are not a substitute for certified architectural and engineering drawings, nor do they necessarily reflect national and local building code requirements.

FLAT DRYWALL CEILINGS

Flat Drywall Ceiling reverse view, spaced 48" O.C.



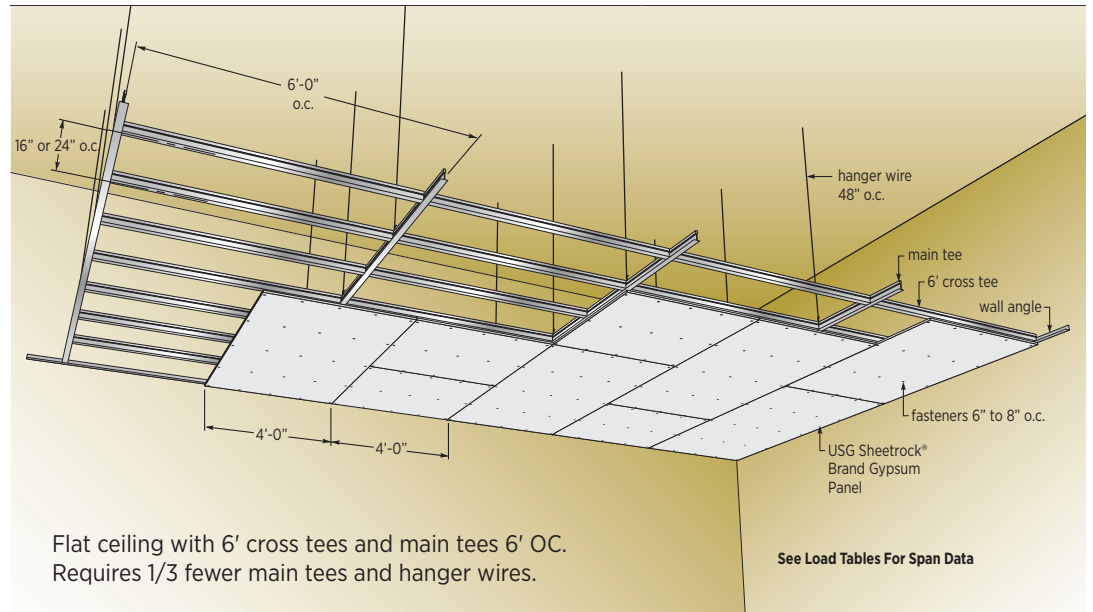
Notes:

- Hanger wire and Cross Tee spacing layout can be spaced at 16" or 24" on center with a 4' system.
- Using a Wall Molding or Channel Molding at the perimeter is acceptable.

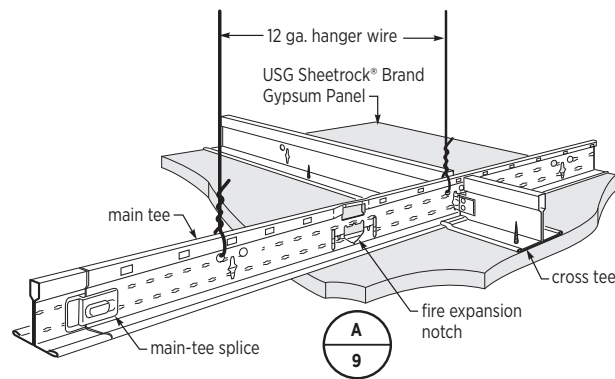
These renderings and details are provided for illustrative purposes only and are not a substitute for certified architectural and engineering drawings, nor do they necessarily reflect national and local building code requirements.

FLAT DRYWALL CEILINGS

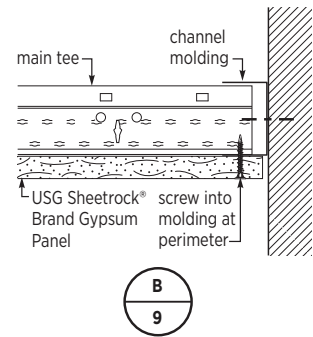
Layout with 6' cross tees and main tees 6' OC



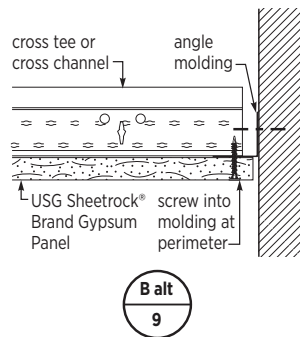
Cross tee/main tee intersection



Perimeter detail - channel molding



Perimeter detail - angle molding



USG SHEETROCK® BRAND PANELS INFORMATION

A lifetime limited (30-year) warranty on the USG Drywall Suspension System is offered when USG Sheetrock® Brand (or other USG) Panels are used. The USG Drywall Suspension System is engineered to accept 1/4", 3/8", 1/2" and 5/8" gypsum panels for flat and curved ceiling applications. The system can be used with veneer plaster and conventional lath and plaster ceilings as well.

INTERIOR PANELS

Panel Selector Guide Product	Max Cross Tee Spacing ³				
	Weight lbs-ft ²	Perpendicular ¹	Parallel ¹	Hanger-Wire Spacing	Load on Wire, lbs
1/4" Sheetrock® Brand Panels (Regular and Flexible) ²	2.4 (double layer)	16"	N/A	48"	38.4
3/8" Sheetrock® Brand Panels	1.4	16"	N/A	48"	22.4
1/2" Sheetrock® Brand UltraLight Panels	1.25	24"	24"	48"	20.0
1/2" Sheetrock® Brand Firecode® C Panels	2	24"	16"	48"	36.8
5/8" Sheetrock® Brand EcoSmart Panels Firecode 30**	1.7	24"	16"	48"	27.2
5/8" Sheetrock® Brand EcoSmart Panels Firecode® X*	1.8	24"	16"	48"	28.8
5/8" Sheetrock® Brand Firecode® X Panels	2.2	24"	16"	48"	35.2
5/8" Sheetrock® Brand Firecode® C Panels**	2.5	24"	16"	48"	40.0
5/8" Sheetrock® Brand AR Firecode® X Panels	2.8	24"	16"	48"	44.8
1/2" Sheetrock® Brand UltraLight Sag-Resistant Interior Ceiling Board**	1.3	24"	24"	48"	20.8
1/2" Sheetrock® Brand AR Firecode® C Panels**	2.2	24"	16"	48"	35.2
5/8" Sheetrock® Brand UltraLight Panels Firecode 30***	1.7	24"	16"	48"	27.2
5/8" Sheetrock® Brand UltraLight Panels Firecode® X**	1.8	24"	16"	48"	28.8
3/4" Sheetrock® Brand Ultracode® Core Panels*	2.8	24"	16"	48"	44.8
1/2" Sheetrock® Brand UltraLight Panels Mold Tough®	1.3	24"	16"	48"	20.8
1/2" Sheetrock® Brand Mold Tough® Firecode® C Panels*	2	24"	16"	48"	32.0
1/2" Sheetrock® Brand Glass-Mat Panels Mold Tough®	1.8	24"	16"	48"	28.8
5/8" Sheetrock® Brand EcoSmart Panels Mold Tough® Firecode® X*	1.85	24"	16"	48"	29.6
5/8" Sheetrock® Brand Mold Tough® Firecode® X Panels	2.2	24"	16"	48"	35.2
5/8" Sheetrock® Brand Mold Tough® AR Firecode® X	2.8	24"	16"	48"	44.8
5/8" Sheetrock® Brand Glass-Mat Panels Mold Tough® Firecode® X	2.2	24"	16"	48"	35.2
5/8" Sheetrock® Brand Glass-Mat Panels Mold Tough® AR Firecode® X	2.8	24"	16"	48"	44.8
5/8" Sheetrock® Brand Mold Tough® VHI Firecode® X Panels	2.8	24"	16"	48"	44.8
5/8" Sheetrock® Brand Glass-Mat Panels Mold Tough® VHI Firecode® X	2.8	24"	16"	48"	44.8
3/4" Sheetrock® Brand Mold Tough® Ultracode® Core Panels*	2.8	24"	16"	48"	44.8
1/2" Securock® Brand UltraLight Glass-Mat Sheathing	1.7	24"	16"	48" ⁴	27.2
5/8" Securock® Brand UltraLight Glass-Mat Sheathing Firecode® X	2.2	24"	16"	48" ⁴	35.2
1/2" Sheetrock® Brand UltraLight Gypsum Base Imperial**	1.25-1.35	24"	16"	48"	21.6
1/2" Sheetrock® Brand Gypsum Base Imperial® Firecode® C*	2.0	24"	16"	48"	32.0
3/8" Sheetrock® Brand Gypsum Base Imperial**	1.4	24"	16"	48"	22.4
5/8" Sheetrock® Brand Gypsum Base Imperial® Firecode® X*	2.3	24"	16"	48"	36.8

* Not available in Canada

** Not available in U.S.

¹ Refers to panel installation orientation, factory-tapered edges parallel or perpendicular to cross tees.

² 1/4" USG Sheetrock® Brand Panels require double-layer installation.

³ Fire-rated UL Designs may supersede cross-tee spacing listed.

⁴ Exterior ceilings designed for wind uplift resistance may supersede cross-tee and hanger-wire spacing listed.

MOISTURE AND MOLD RESISTANT

Exterior Panels⁴

Plaster Base Panels

USG SHEETROCK® BRAND PANELS INFORMATION

Maximum Ceiling Membrane Load Values

Deflection Criteria-L/240

Hanger Wire Spacing, in-OC	24								36								48							
Hanger Wire Load, lbs.	258*								171*								96							
Main Tee Spacing, in-OC	24	36	48	72	24	36	48	72	24	36	48	72	24	36	48	72	24	36	48	72	24	36	48	72
Cross Tee Spacing, in-OC	16	24	16	24	16	24	16	24	16	24	16	24	16	24	16	24	16	24	16	24	16	24	16	24

Membrane Load, lbs-ft²

DGLW26 Main Tee - 1-1/2" face	64.5	53.0	43.0	30.0	14.1	9.4	5.0	3.3	28.5	28.5	19.0	19.0	14.2	9.4	5.0	3.3	12.0	12.0	8.0	8.0	6.0	6.0	4.0	4.0
-------------------------------	------	------	------	------	------	-----	-----	-----	------	------	------	------	------	-----	-----	-----	------	------	-----	-----	-----	-----	-----	-----

Deflection Criteria-L/360

Hanger Wire Spacing, in-OC	24								36								48							
Hanger Wire Load, lbs.	172*								114*								64							
Main Tee Spacing, in-OC	24	36	48	72	24	36	48	72	24	36	48	72	24	36	48	72	24	36	48	72	24	36	48	72
Cross Tee Spacing	16	24	16	24	16	24	16	24	16	24	16	24	16	24	16	24	16	24	16	24	16	24	16	24

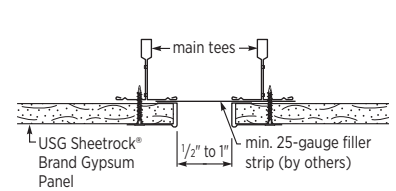
Membrane Load, lbs-ft²

DGLW26 Main Tee - 1-1/2" face	43.0	35.0	28.7	20.0	9.4	6.2	3.3	2.2	19.0	19.0	12.7	12.7	9.4	6.2	3.3	2.2	8.0	8.0	5.3	5.3	4.0	4.0	2.7	2.7
-------------------------------	------	------	------	------	-----	-----	-----	-----	------	------	------	------	-----	-----	-----	-----	-----	-----	-----	-----	-----	-----	-----	-----

*Max allowable individual wire load is 100 lbs. Where wire load exceeds this, heavier gauge hanger wire or pencil rods must be used to support the system.

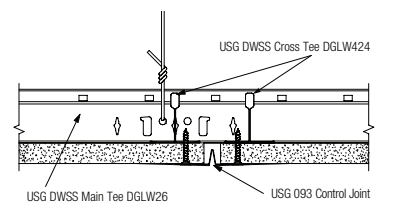
EXPANSION JOINTS

At building movement and expansion joints, provide a separation in the suspension system and install back-to-back main tees to allow for building movement, expansion and contraction in large ceiling areas.



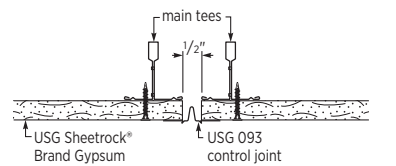
CONTROL JOINTS

Control joints are used to control stress caused by expansion and contraction across the control joint in large ceiling expanses in both drywall and veneer plaster systems. Use control joint 093, which provides a 3/32" ground for drywall or veneer plaster for ceiling areas that exceed 50' (2500 sq. ft.) with perimeter relief and 30' (900 sq. ft.) without perimeter relief. For fire-rated ceilings, control joints shall not occur within 12" of the fire-expansion notch. Do not separate suspension: Use continuous single main tees.

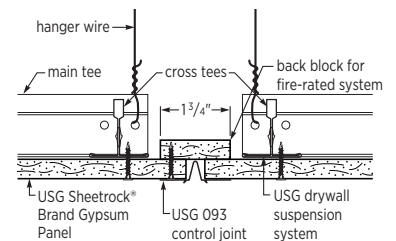


At Control Joint Locations:

- Leave 1/2" continuous opening between gypsum board for insertion of surface mounted joint
- Interrupt ceiling framing with a 1/2" gap wherever there is a control joint in the structure
- Separate supports for each control joint flange
- Provide an adequate seal or safing insulation behind control joint where sound and/or fire ratings are prime considerations



The location of control joints is the responsibility of the design professional. These suggestions should be integrated with project conditions when determining specific locations for control joints.

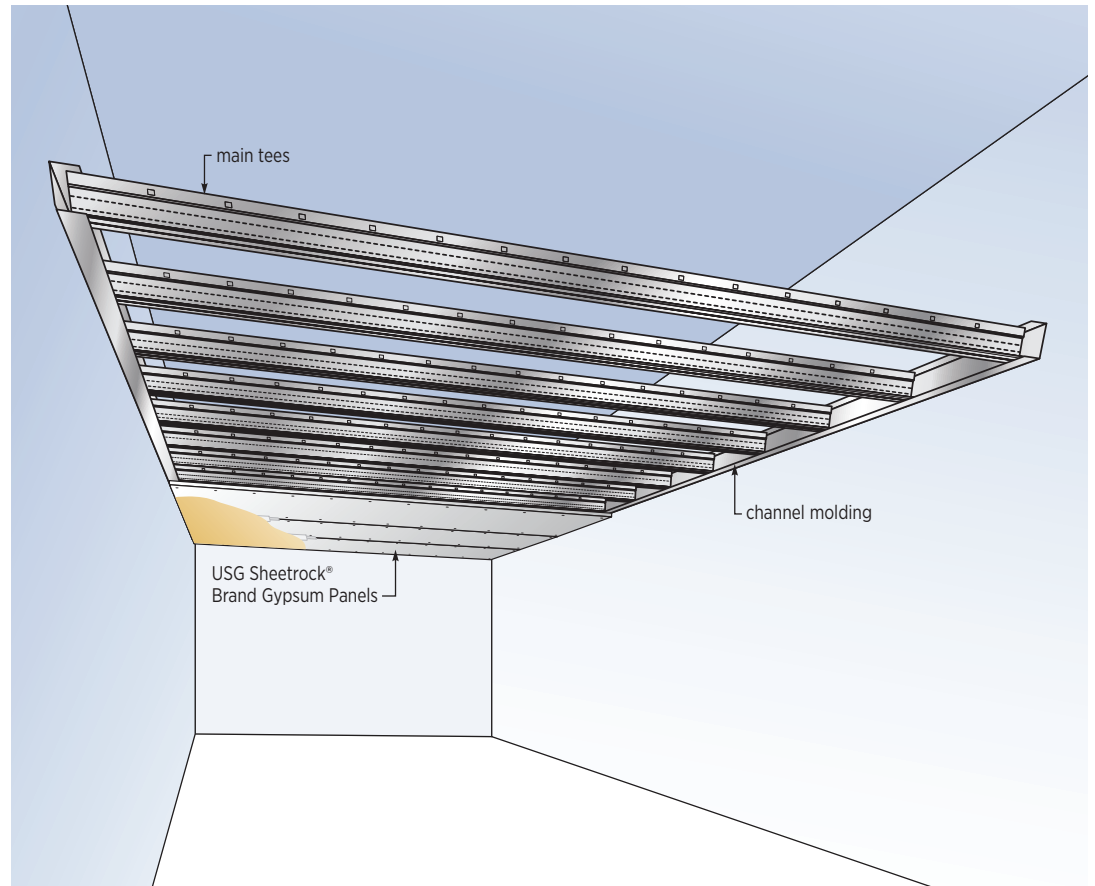


Notes: Location of control and expansion joints is the responsibility of the design professional. Gypsum panel surfaces should be isolated with control joints, caulk or other means where:

1. Ceiling or soffit abuts a structural element, column, partition or other vertical penetration.
2. Construction changes within a plane of the ceiling.
3. Ceiling dimensions exceed 50' in either direction (2500 sq. ft.) with perimeter relief or 30' (900 sq. ft.) without relief.
4. Soffit exceeds 30' in either direction.
5. Wings of "L"- "U"- and "T"-shaped ceiling areas are joined.

CORRIDORS

WALL-TO-WALL SYSTEM



The USG Wall-to-Wall Drywall Suspension System is designed for use in corridors and smaller rooms as an alternative to conventional framing methods. The system is ideal for areas with tight deck clearance, or with crowded plenum space because of mechanical, electrical and HVAC systems. The Wall-to-Wall system can span up to 9'-0" with no hangers when used with USG 5/8" Sheetrock® Brand EcoSmart Panels or standard 1/2" thick gypsum panels.

The system assembles quickly and easily, framing narrower spaces efficiently and with a minimum of components. System accessories and integrated straight components offer easy transitions to vertical, horizontal or curved surfaces.

The Wall-to-Wall Drywall Suspension System includes 6', 8', 10', 12' and 14' double-web; rotary stitched knurled tees; and 12' Wall Angle or Channel Mold. Tees are tested in accordance with the uniform load test procedures outlined in ASTM Standard C635. Loads are limited to L/240 of each span, per ASTM C645.

CORRIDORS

WALL-TO-WALL SYSTEM

VERTICAL SUPPORT

Framing Requirements

Tee Spacing	Drywall	Span ¹	Support Requirement
16" o.c.	1/2" (2.0 lbs./SF)	up to 9'	None
		9'-1" to 16'*	Midspan
		16'-1" to 24'***	Two supports at 1/3 points
16" o.c.	5/8" Sheetrock® EcoSmart Firecode X (1.85 lbs./SF)	up to 9'	None
		9'-1" to 16'*	Midspan
		16'-1" to 24'***	Two supports at 1/3 points
24" o.c.	5/8" Sheetrock® EcoSmart Firecode X (1.85 lbs./SF)	up to 8'-6"	None
		8'-7" to 16'*	Midspan
		16'-1" to 24'***	Two supports at 1/3 points
16" o.c.	5/8" (2.4 lbs./SF)	up to 9'	None
		9'-1" to 16'*	Midspan
		16'-1" to 24'***	Two supports at 1/3 points
24" o.c.	5/8" (2.4 lbs./SF)	up to 8'	None
		8'-1" to 16'*	Midspan
		16'-1" to 24'***	Two supports at 1/3 points

Membrane Loads

Main Tee Span	Spacing, o.c.	Intermediate Supports	Maximum Loads (lbs-sf)
4'	16"	none	26.84
	24"	none	17.89
5'	16"	none	14.08
	24"	none	9.38
6'	16"	none	8.31
	24"	none	5.54
7'	16"	none	5.32
	24"	none	3.55
7'-6"	16"	none	4.36
	24"	none	2.90
8'	16"	none	3.61
	24"	none	2.41
8'-6"	16"	none	3.03
	24"	none	2.02
9'	16"	none	2.57
	24"	none	1.71
10'	16"	one, midspan	14.08*
	24"	one, midspan	9.38*
12"	16"	one, midspan	8.31*
	24"	one, midspan	5.54*
16"	16"	one, midspan	3.61*
	24"	one, midspan	2.41*

Notes:

* Vertical support at midspan

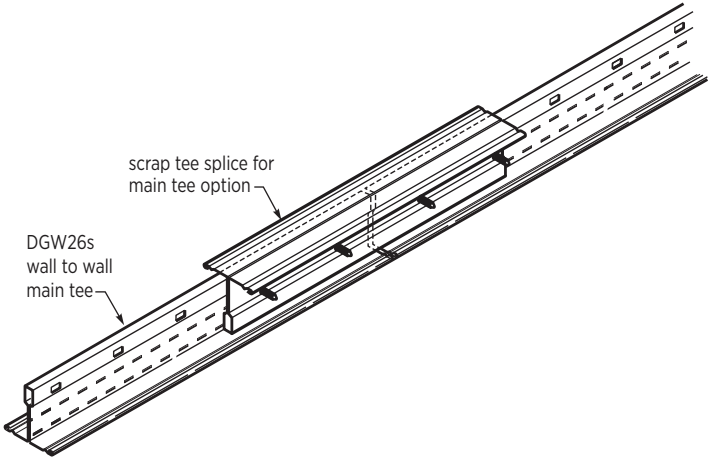
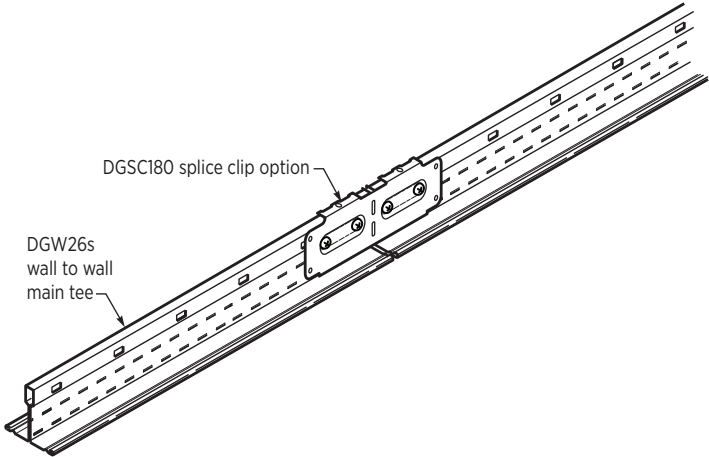
** Two (2) vertical supports at 1/3 point

1. Spans greater than 14' require main tee splice. See Splice options on following page

CORRIDORS

WALL-TO-WALL SYSTEM

WALL-TO-WALL MAIN-TEE SPLICE OPTIONS



INDEX SUPPORT BAR

The ISB109 is a mid-span support bar that allows for greater corridor or room gypsum ceiling spans. Reduces the amount of hanger wires and tee attachments required.



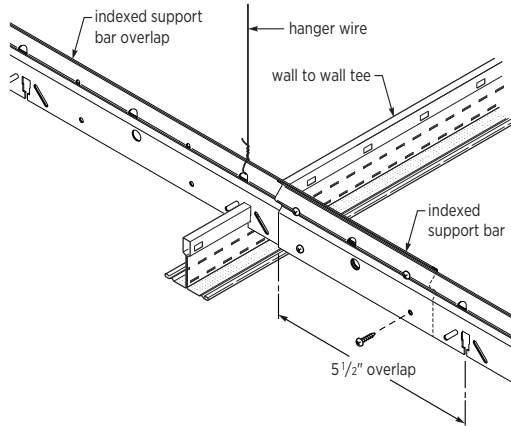
For use with USG Drywall Suspension System Wall-to-Wall main tees where spans exceed 7'6" for standard 5/8" or 8'-0" for USG Sheetrock® Brand EcoSmart 5/8" Panels or standard 1/2" gypsum panels.

- Reduces hanger wires on longer spans that require intermediate support for main tees.
- Indexed notch design provides lateral stabilization during panel installation.
- Minimizes system uplift during panel installation when used with compression posts (can be studs, tees, etc).
- Unique, nesting design allows splicing before or after hanger wires are installed.
- Notch friction fits against main tee keeping ISB in place during installation.
- Cuts easily with snips.

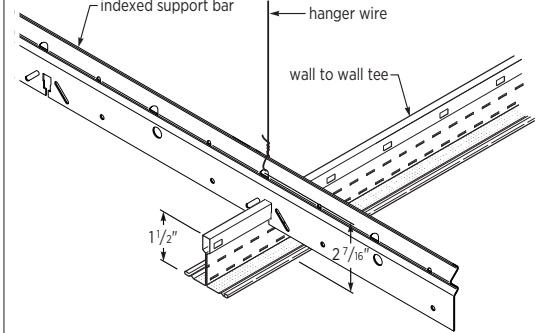
INDEX SUPPORT BAR

INDEX SUPPORT BAR SUPPORT OPTIONS

Installation with ISB109 Overlap

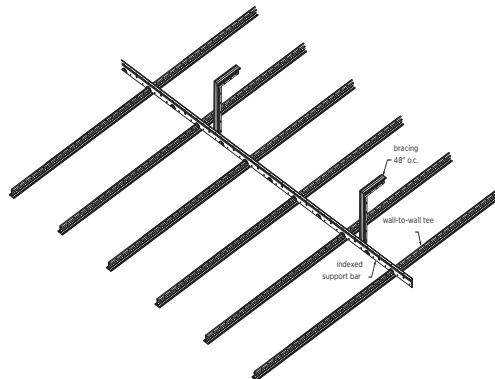


Hanger Wire Elevation



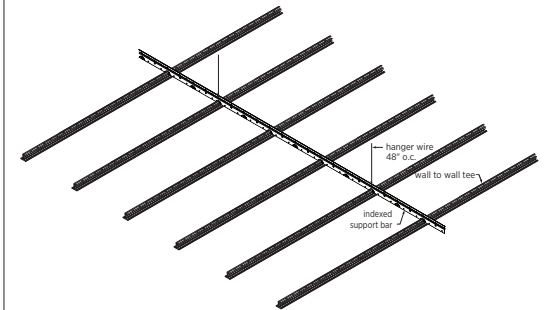
Vertical Support with Main Tees

- Bracing 48" o.c.
- Wall-to-wall tee 16" o.c. (typ.)



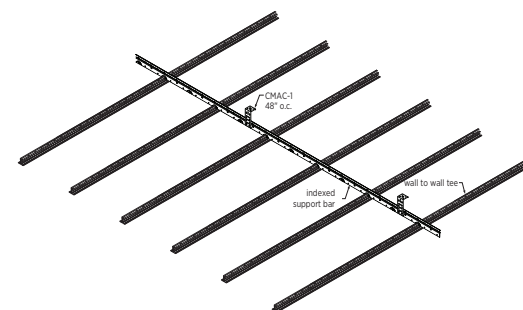
Vertical Support with Hanger Wires

- Hanger wire 48" o.c.
- Wall-to-wall tee 16" o.c. (typ.)
- Main tees must be supported at both ends when hanger wires are used.



Vertical Support with Close Mount Attachment Clip (CMAC-1)

- Bracing 48" o.c.
- Wall-to-wall tee 16" o.c. (typ.)



DIRECT MOUNT SYSTEM

**Engineered drywall ceiling system developed for efficient install, less labor.
Designed for short plenum depths and faster perimeter connections.**

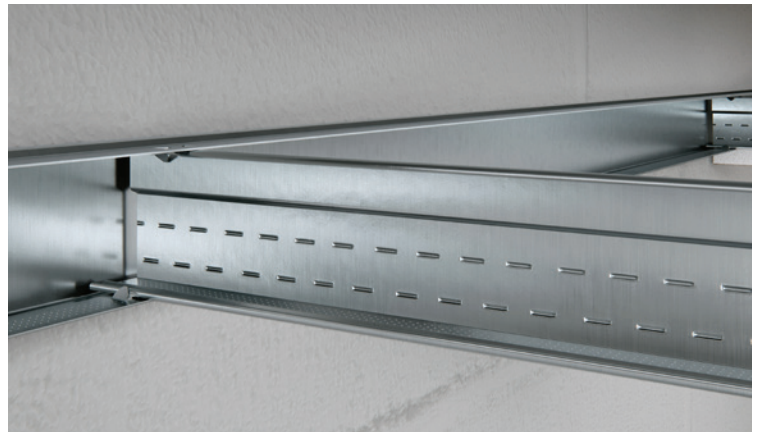


Dual orientated Close Mount Attachment Clip can be snipped for variable plenum height, no need to scrape the deck

- CMAC-1 offers various perforations for positive connection types like fasteners, nuts, and threaded rod
- Drywall Grid Locking Channel "Locks" Drywall Tees into place at perimeter with no fasteners required
- DGLC-12 pockets spaced every 8" on center for fast alignment
- DGLC-12 upper leg "indexes" over the tee bulb for secure fit
- Each pocket offers lances at tee bulb and flange for secure, tight connection

APPLICATIONS

Administrative Offices
Corridors and Hallways
Dormitories
Hospitality
Multi-Family
Residential
Condos
Restrooms
Utility Rooms
Loading Docks



DIRECT MOUNT SYSTEM

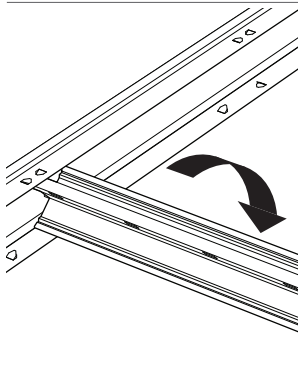
Direct Mount System In Tight Plenum Applications



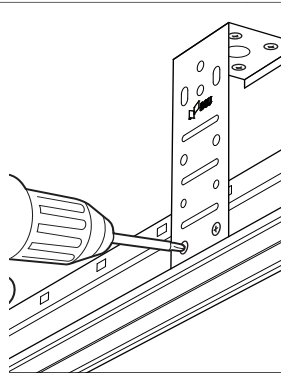
CMAC-1 will fasten directly into above structure, with no need for hanger wires. CMAC-1 should be spaced typically every 48" OC, please review USG Membrane Load Value table for more information.

Locking pockets in DGLC-12 will lock Drywall Tees in at the perimeter, no screws are required to fasten Drywall Tees into perimeter channel.

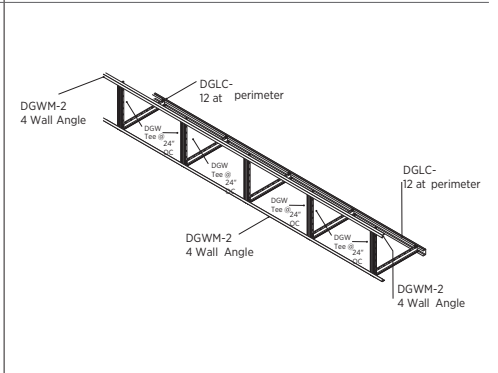
Drywall Tee Connection into DGLC-12



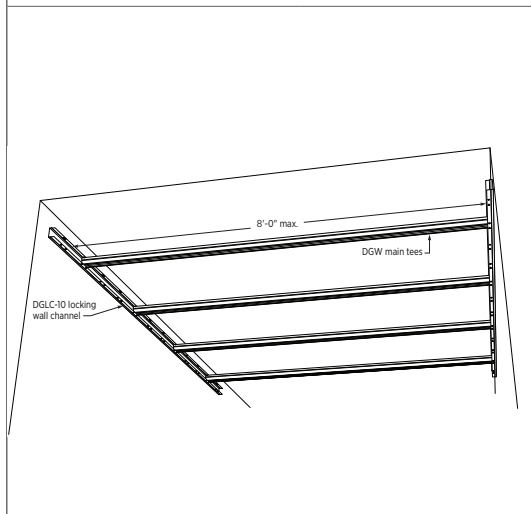
CMAC-1 Fasten Into Drywall Main Tee



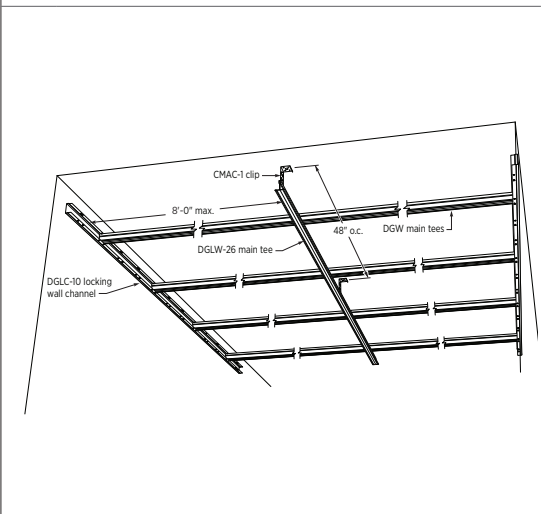
Soffits with DGLC-12



Standard Drywall Suspension System with Direct Mount Components

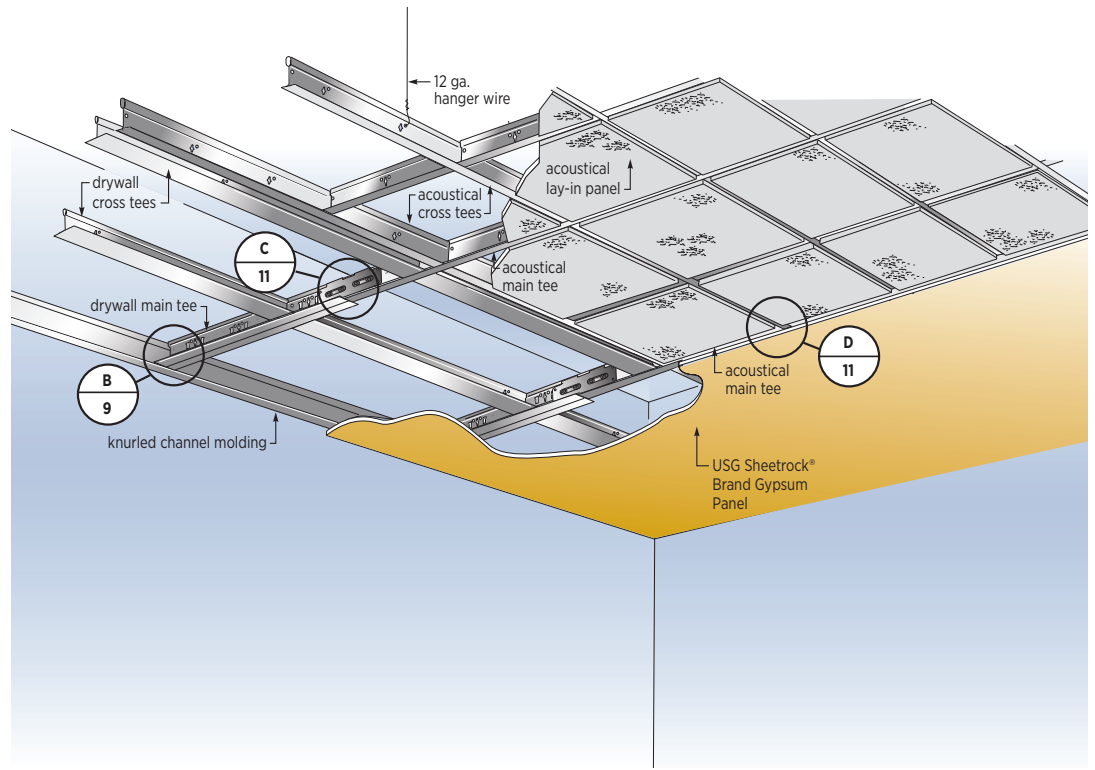


Wall-To-Wall Corridor System with Drywall Grid Locking Channel



TRANSITIONS

DRYWALL TO ACOUSTICAL CEILINGS



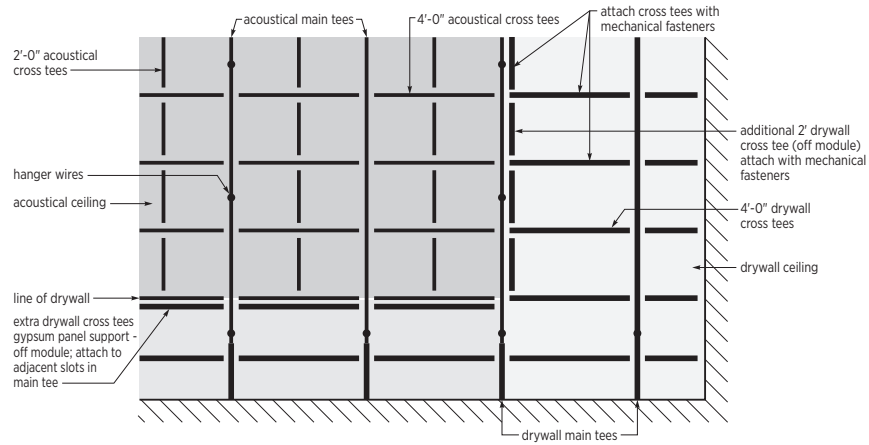
The new USG Drywall Suspension System is fully compatible with our USG Donn® Brand DX®/DXL™, DXSS, DXW and Centricitee™ acoustical suspension systems, making it easy to transition between flat drywall and acoustical ceilings. Flush or offset transitions are possible. Additional cross tees are necessary at drywall edge to provide adequate support (as shown on next page).

Note: These renderings and details are provided for illustrative purposes only and are not a substitute for certified architectural and engineering drawings, nor do they necessarily reflect national and local building code requirements.

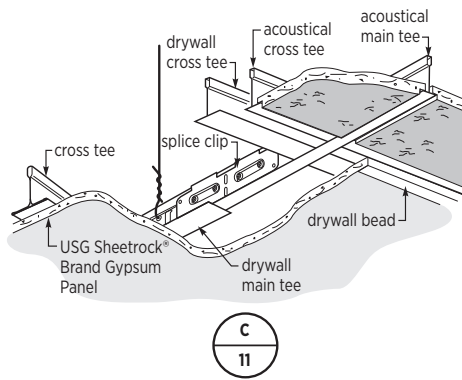
TRANSITIONS

DRYWALL TO ACOUSTICAL CEILINGS

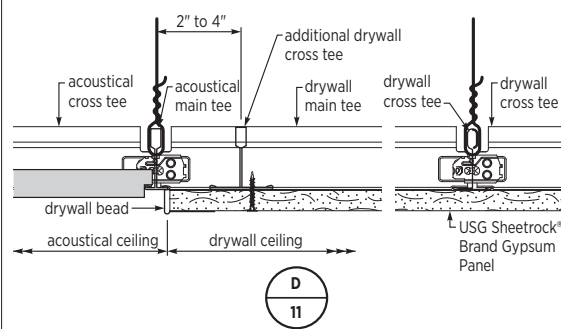
Plan view



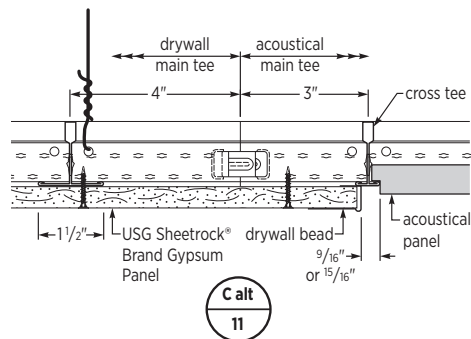
Drywall-to-acoustical transition - field-cut connection



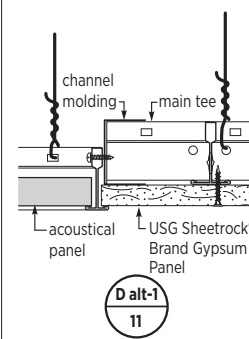
Drywall-to-acoustical transition



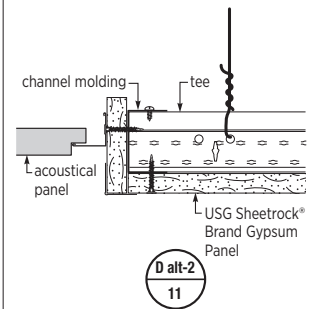
Drywall-to-acoustical transition - factory-end connection



Flush transition



Standard offset

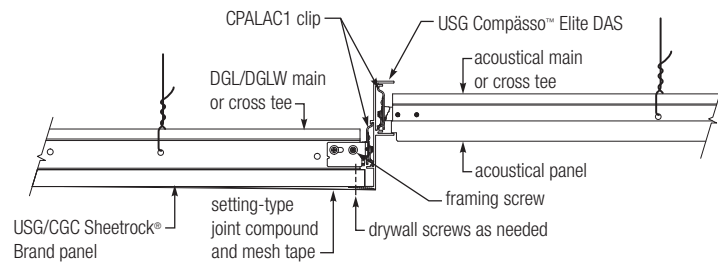


TRANSITIONS

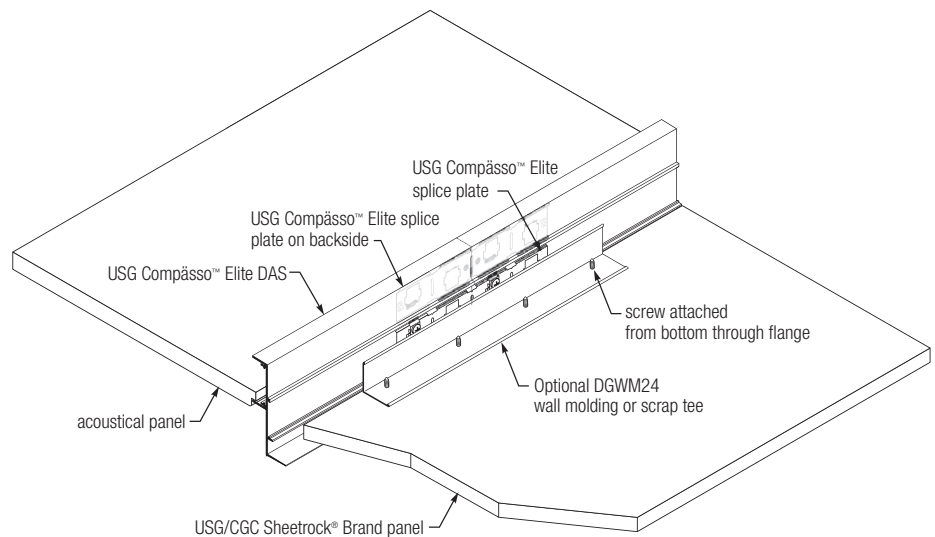
COMPÄSSO™ ELITE TRANSITIONS



Elevation - USG Compässon™ Elite Drywall to Acoustical

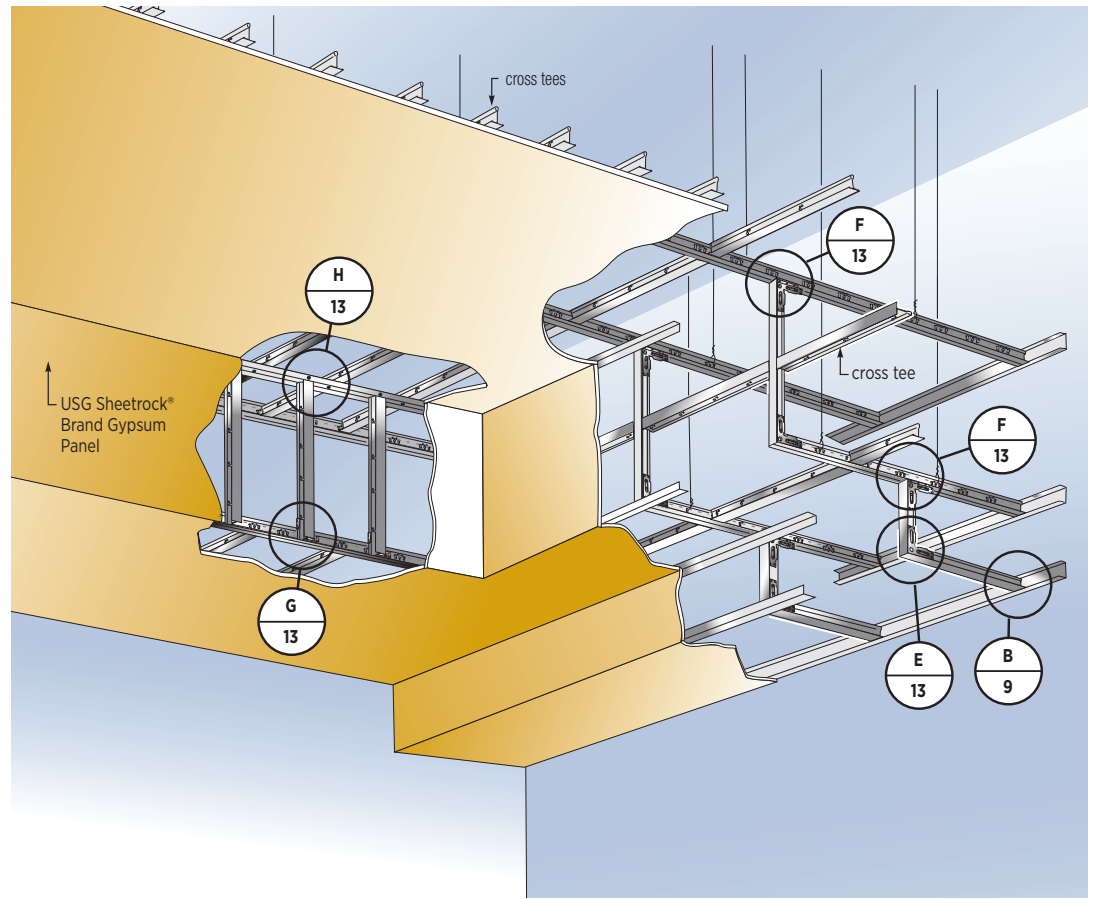


ISO Above - DAS Drywall Lower to Acoustical Upper Assembly Splice



BOXED SOFFITS

FLAT DRYWALL CEILINGS



Soffit suspension system components are identical to the components used in flat surface areas.

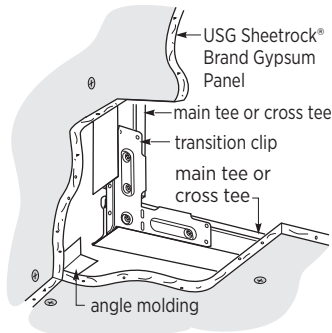
- When constructing soffits, bracing of the drywall suspension and/or additional hanger wires may be necessary to ensure stability and structural performance during and after drywall attachment.
- The maximum vertical soffit height is 48" with cross tees spaced 24" on center. (Maximum unsupported drywall area is 48" x 24".) Intermediate cross tees are not necessary when soffit dimensions do not exceed 24".
- When used in soffit construction, all transition clips are to have a minimum of 4 screws for attachment.

Note: In the image above, some hanger wires, bracing, and grid components have been omitted for clarity. These renderings and details are provided for illustrative purposes only and are not a substitute for certified architectural and engineering drawings, nor do they necessarily reflect national and local building code requirements.

BOXED SOFFITS

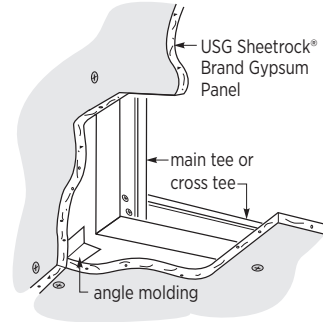
FLAT DRYWALL CEILINGS

90° outside corner using transition clip



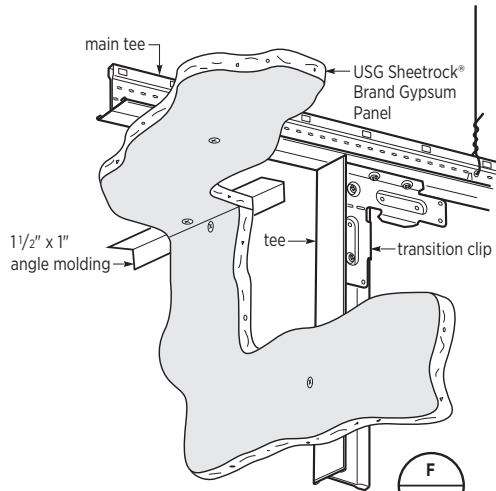
E
13

90° outside corner with field-cut tee



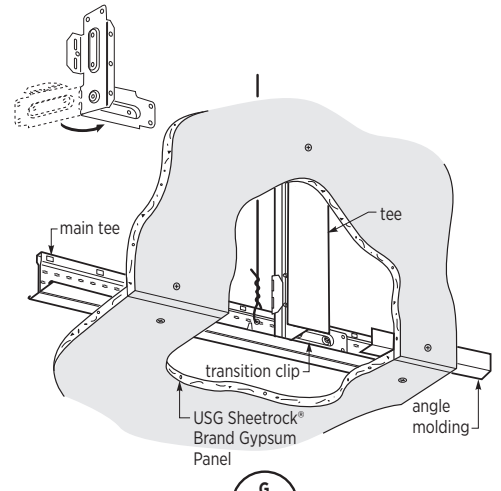
E alt
13

90° inside corner



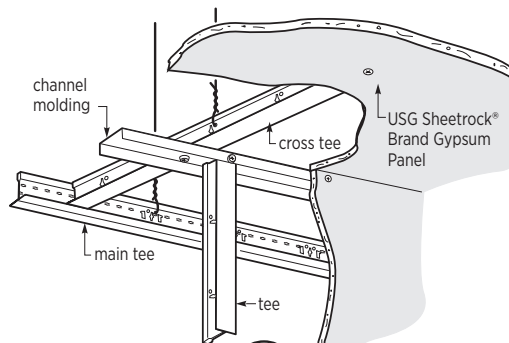
F
13

90° outside corner with main tee at bottom edge



G
13

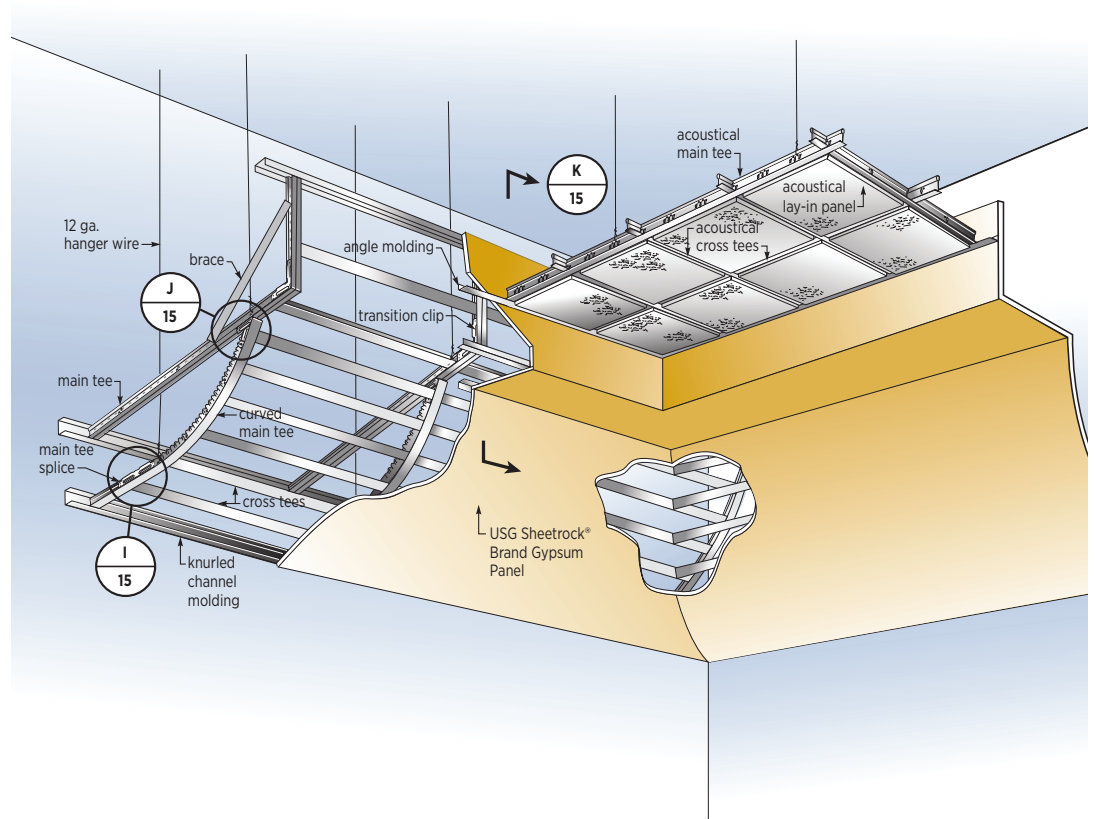
90° inside corner with channel molding at top edge



H
13

CURVED SOFFITS

CURVED DRYWALL CEILINGS



Radiused soffits can be constructed using curved drywall suspension main tees. Factory-radiused main tees eliminate field bending and can reduce installation time.

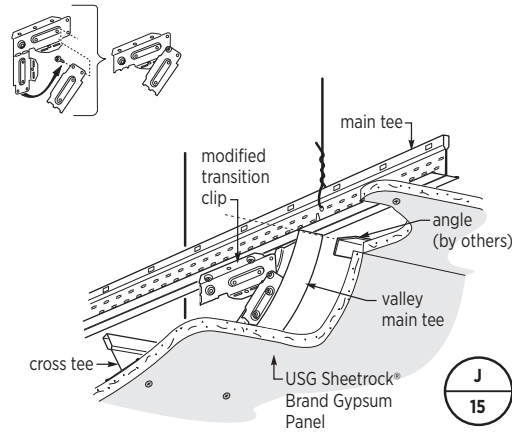
- When constructing curved soffits, bracing of the drywall suspension and/or additional hanger wires may be necessary to ensure stability and structural performance during and after drywall attachment. See page 13 for hanger-wire spacing requirements.
- The maximum vertical soffit is 48" with cross tees spaced 24" on center. (Maximum unsupported drywall is 48" x 24".) Intermediate cross tees are not necessary when soffit dimensions do not exceed 24".
- All transition and splice clips are to have a minimum of 4 screws for attachment.

Note: In the image above, some hanger wires, bracing, and grid components have been omitted for clarity. These renderings and details are provided for illustrative purposes only and are not a substitute for certified architectural and engineering drawings, nor do they necessarily reflect national and local building code requirements.

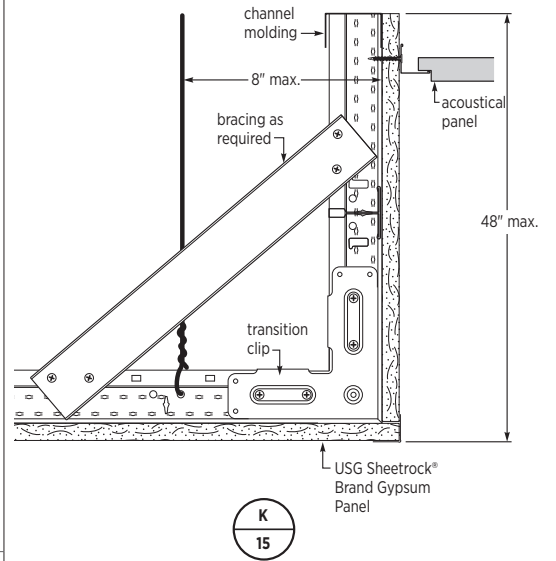
CURVED SOFFITS

CURVED DRYWALL CEILINGS

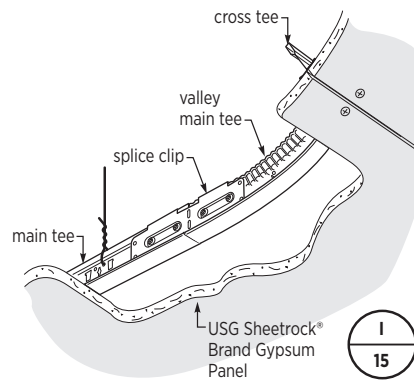
Curved soffit to boxed soffit - valley to flat



Section through soffit and acoustical transition

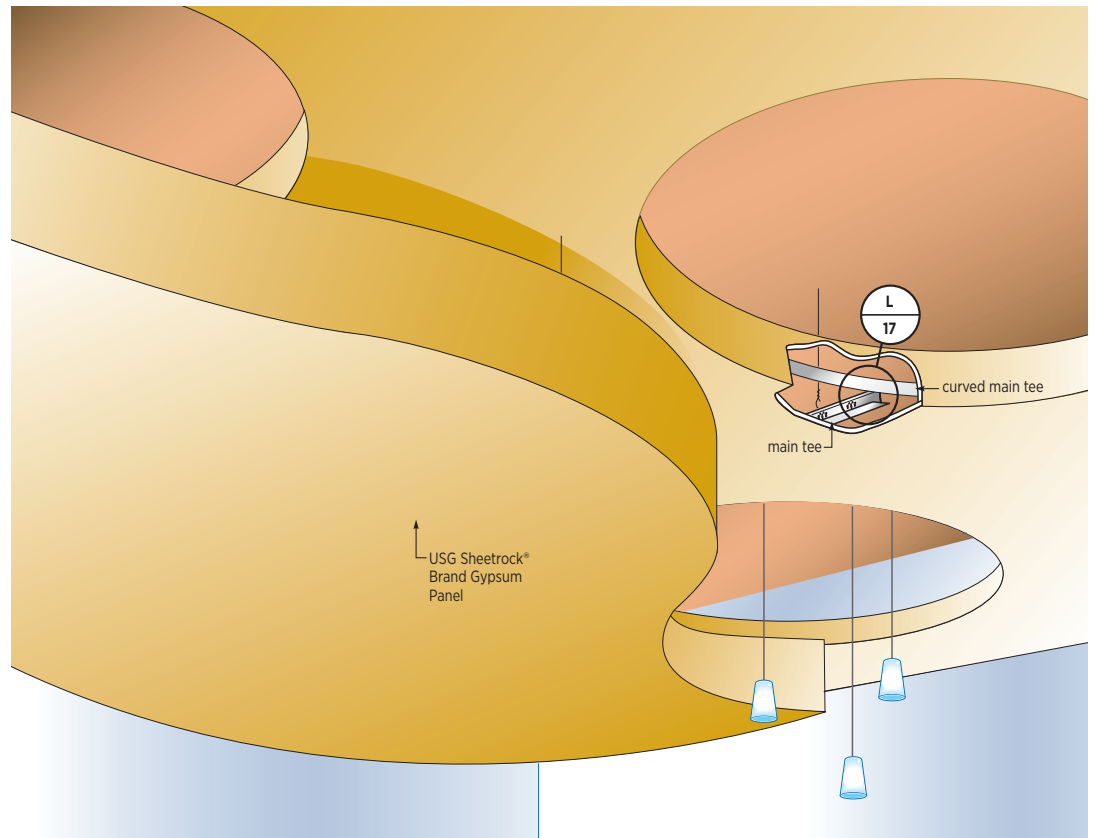


Curved soffit - flat to valley



FASCIAS

FLAT DRYWALL CEILINGS



Curved drywall fascias can be engineered and built with the USG Drywall Suspension System. The framing for the fascia is constructed from curved main tees installed horizontally.

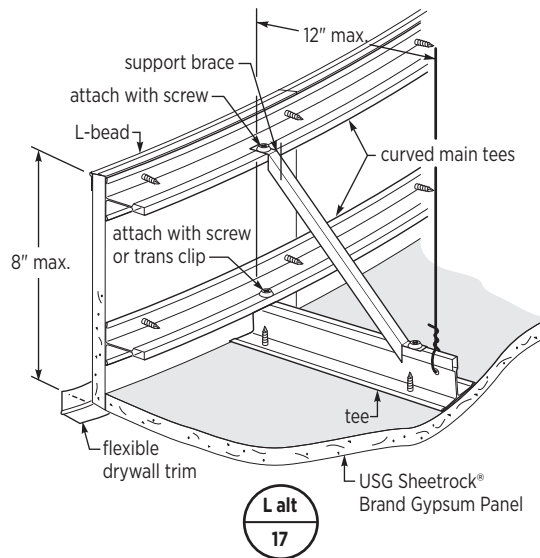
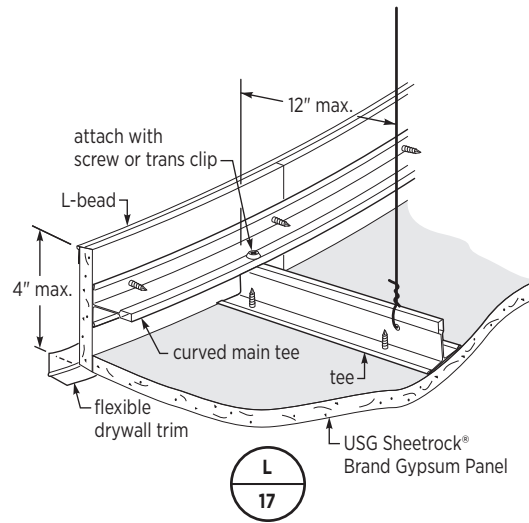
- Main-tee and cross-tee spacing is provided in the table on page 41.
- Hanger wires must be placed within 12" of the fascia where main tees and cross tees intersect the fascia.
- Extra hanger wires may be required at the perimeter of fascia applications to ensure adequate support and stability, such as cross tees less than 12" in length.

Note: These renderings and details are provided for illustrative purposes only and are not a substitute for certified architectural and engineering drawings, nor do they necessarily reflect national and local building code requirements.

FASCIAS

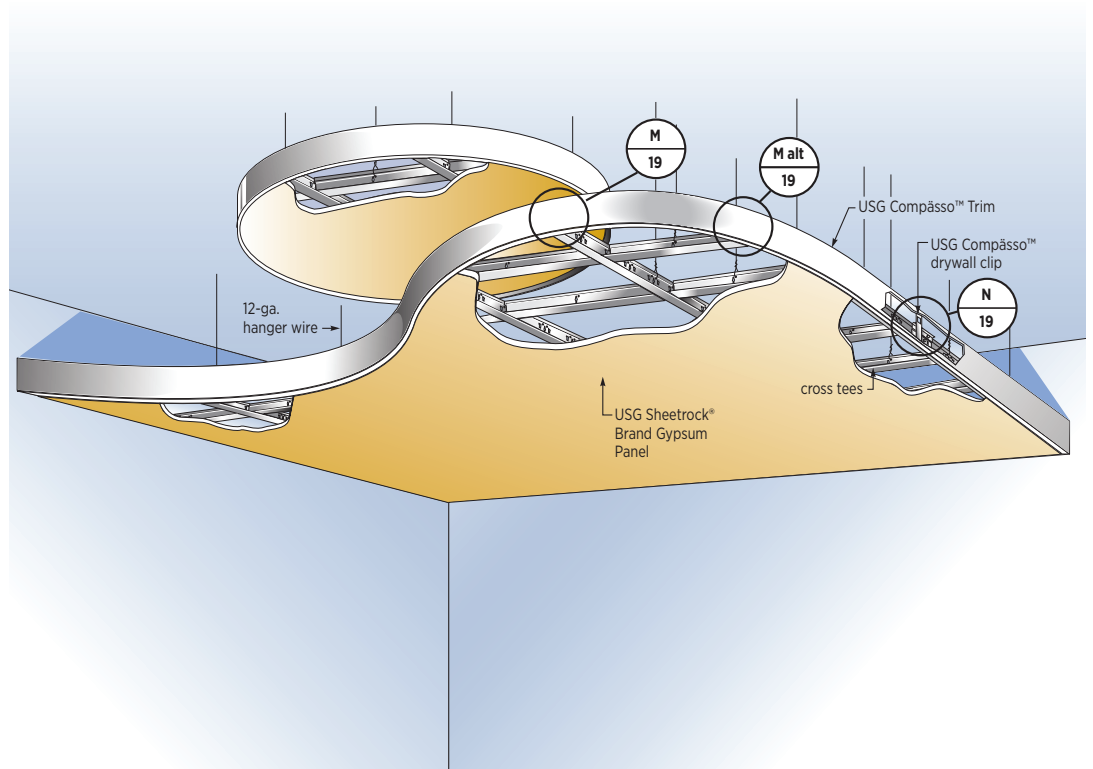
FLAT DRYWALL CEILINGS

Curved drywall fascia (up to 8" max.) for flat ceilings



FASCIAS

FLAT DRYWALL CEILINGS



USG Compasso Standard and Compasso Elite suspension trim is designed to be installed on the Drywall Suspension System using Compasso drywall clips. This is an effective alternative to gypsum board fascias for accent ceilings.

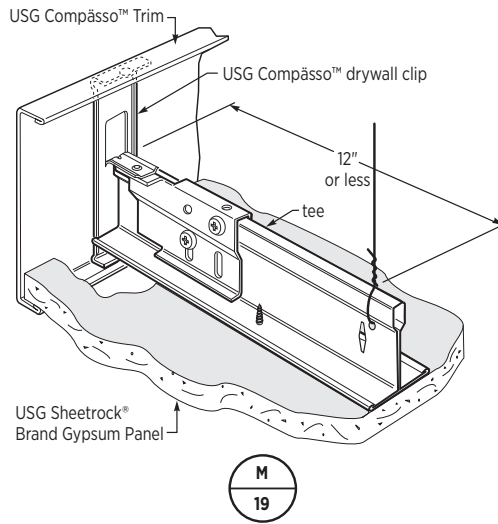
- Main-tee and cross-tee spacing is provided in the table on page 41.
- Hanger wires must be placed within 12" of the fascia where main tees and cross tees intersect the fascia.
- Extra hanger wires may be required at the perimeter to ensure adequate support for cross tees less than 12" in length.

Note: These renderings and details are provided for illustrative purposes only and are not a substitute for certified architectural and engineering drawings, nor do they necessarily reflect national and local building code requirements.

FASCIAS

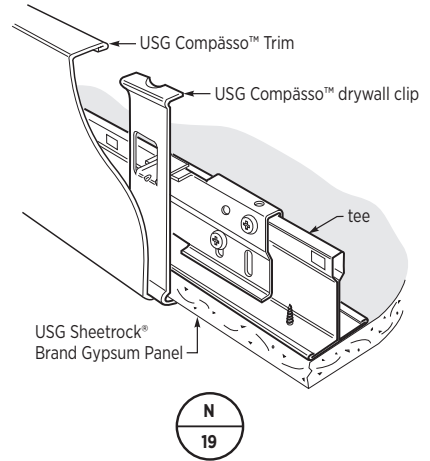
FLAT DRYWALL CEILINGS COMPÄSSO™ STANDARD

Compässon Trim perpendicular to main tee or cross tee



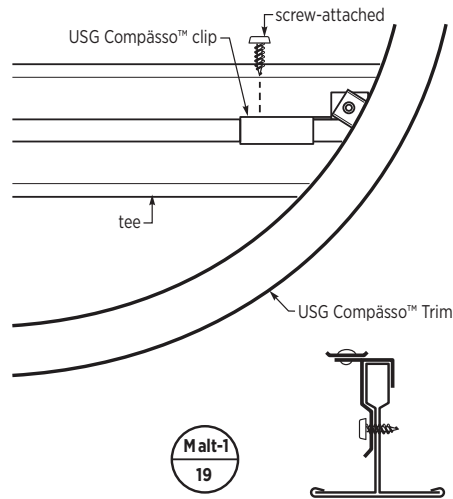
M
19

Compässon Trim parallel to main tee or cross tee



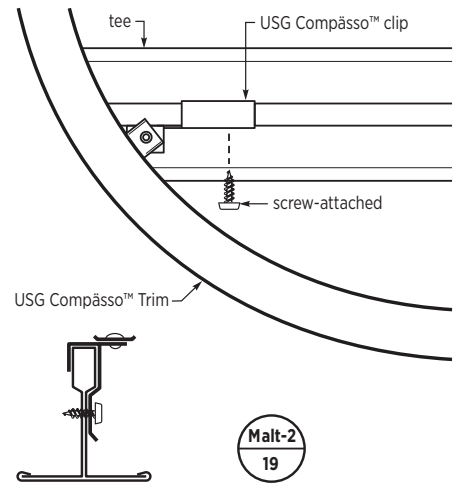
N
19

View from above



Malt-1
19

View from above

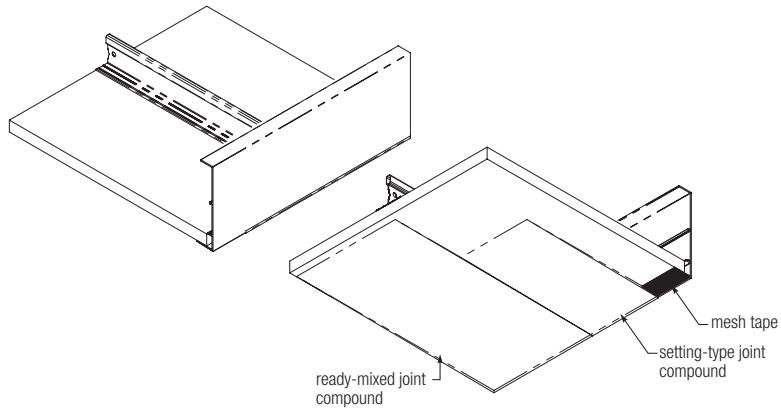


Malt-2
19

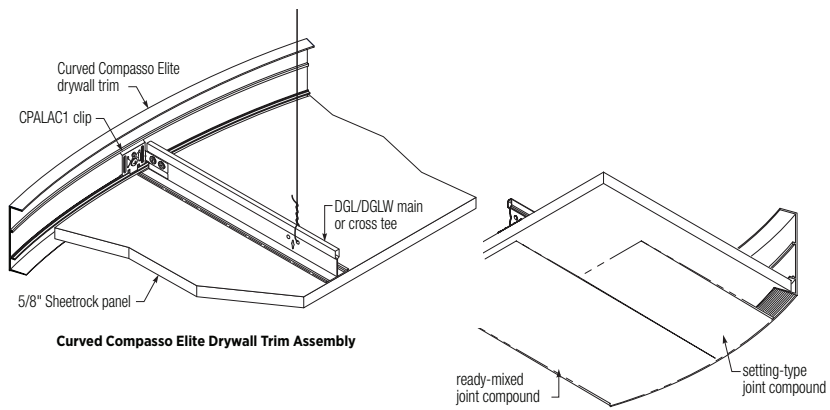
FASCIAS

FLAT DRYWALL CEILINGS COMPASSO™ ELITE

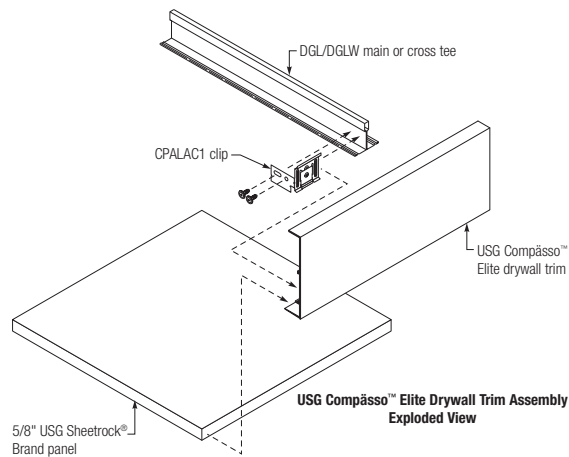
USG Compasso™ Elite Drywall Trim Assembly Isometric views from above and below



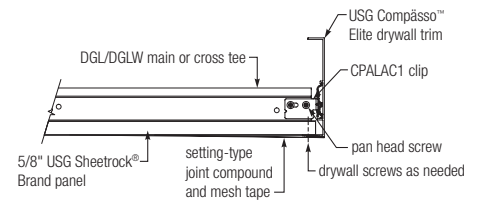
Curved Compasso™ Elite Drywall Trim Assembly isometric views from above and below



USG Compasso™ Elite Drywall Trim Assembly exploded view

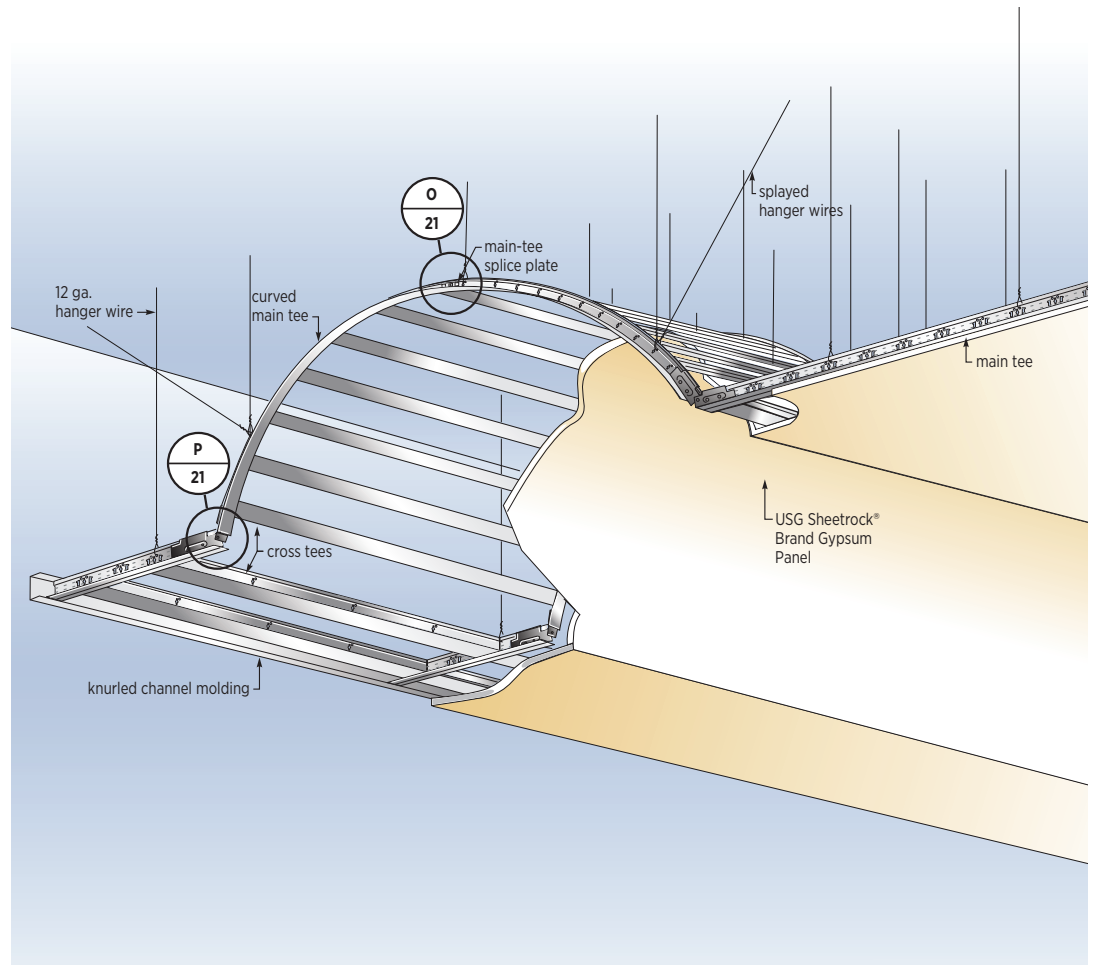


USG Compasso™ Elite Drywall Trim Assembly



VAULTS

CURVED DRYWALL CEILINGS



Curved main tees are factory bent and used to construct barrel vaults, archways, valleys, and waves with the USG Drywall Suspension System. DGSC-180 splice clips are used for attaching the curved main tees to flat ceilings, soffits or acoustical suspension systems.

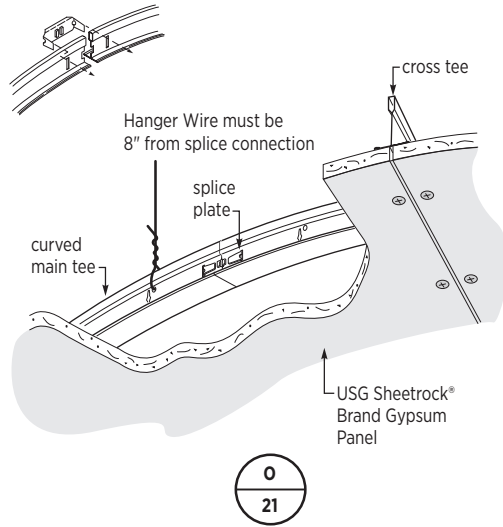
- Hanger wires shall be spaced a maximum of 48" along the arc of main tee vaults.
- Additional hanger wires or bracing may be necessary to stabilize curved ceilings during and after drywall attachment.
- At least 1 hanger wire is required within 8" of a curved main-tee splice.
- Hanger wires are required within 8" on both sides of a modified splice clip attached to the nearest hanger holes.
- At least 1 hanger wire is required within 8" of a transition clip.
- All drywall joints must be a minimum of 12" from all main-tee splices.

Note: In the image above, some hanger wires, bracing, and grid components have been omitted for clarity. These renderings and details are provided for illustrative purposes only and are not a substitute for certified architectural and engineering drawings, nor do they necessarily reflect national and local building code requirements.

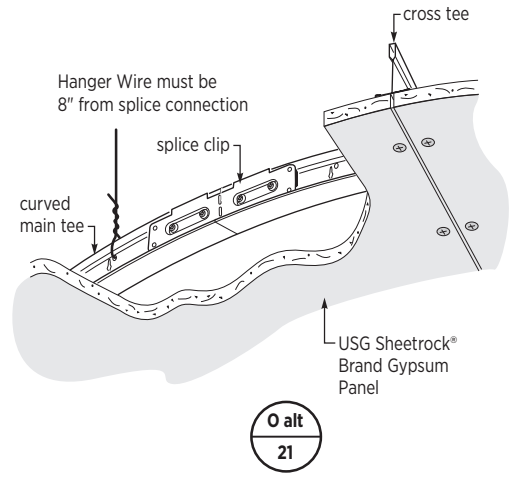
VAULTS

CURVED DRYWALL CEILINGS

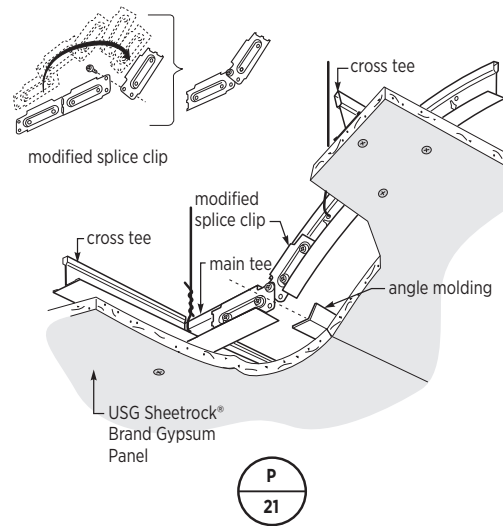
Vault to vault – factory-end connection



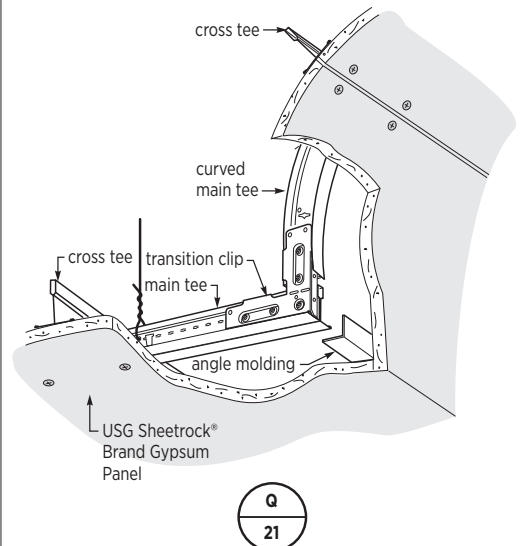
Vault to vault – field-cut



Flat to vault with angle greater than 90°

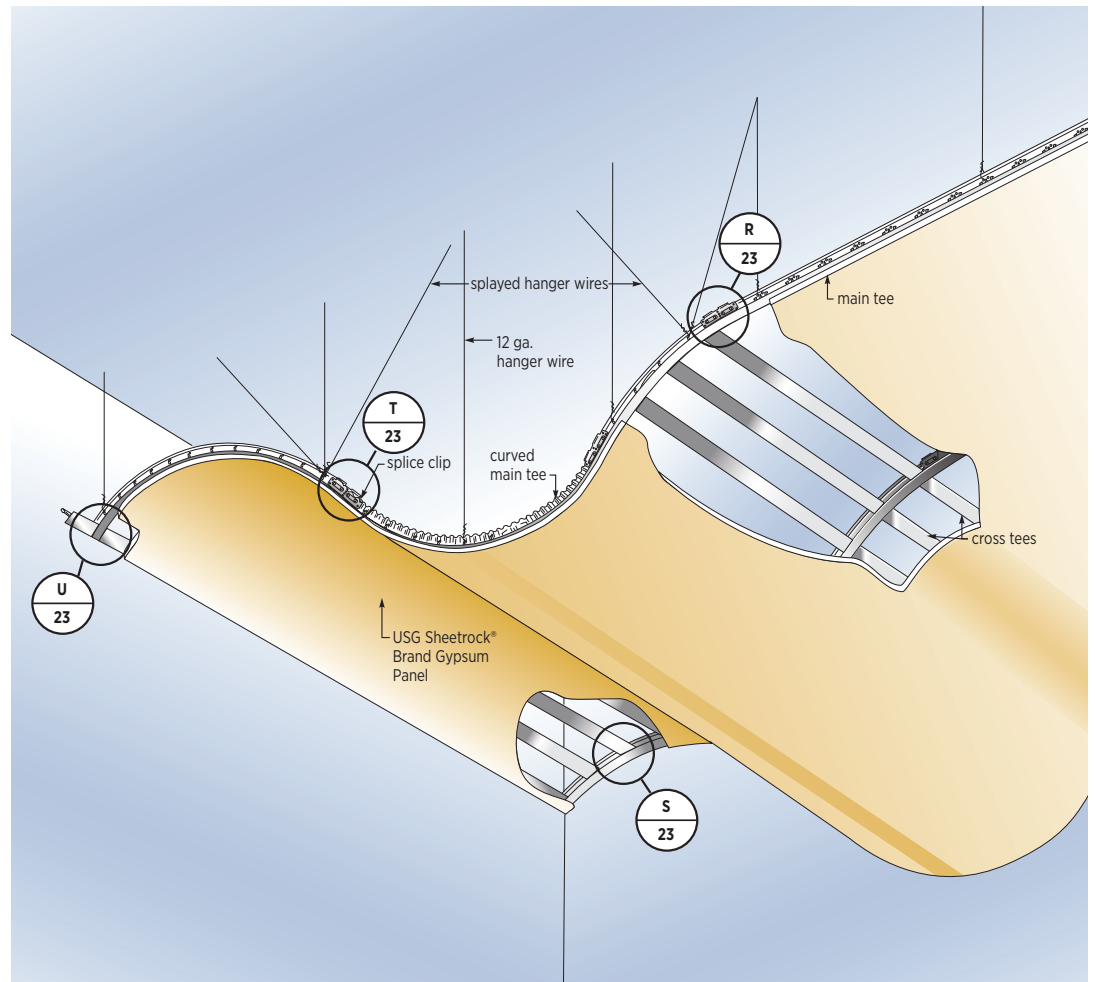


Flat to vault with 90° angle (not shown in preceding perspective)



VAULTS AND VALLEYS

CURVED DRYWALL CEILINGS



The USG Drywall Suspension System simplifies constructing serpentine ceilings. Factoryformed curved vault and valley main tees are spliced together using the DGSP-180 splice plate.

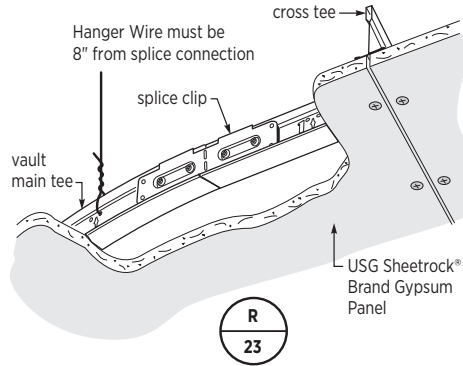
- Hanger wires shall be spaced a maximum of 48" along the arc vaults main tees.
- Hanger wires shall be spaced a maximum of 24" along the arc of valley main tees.
- Additional hanger wires or bracing may be necessary to stabilize curved ceilings during and after drywall attachment.
- At least 1 hanger wire is required within 8" of a standard curved main-tee splice.
- Hanger wires are required within 8" on both sides of a modified splice clip attached to the nearest hanger holes.
- At least 1 hanger wire is required within 8" of a transition clip.
- All drywall joints must be a minimum of 12" from all main-tee splices.

Note: In the image above, some hanger wires, bracing, and grid components have been omitted for clarity. These renderings and details are provided for illustrative purposes only and are not a substitute for certified architectural and engineering drawings, nor do they necessarily reflect national and local building code requirements.

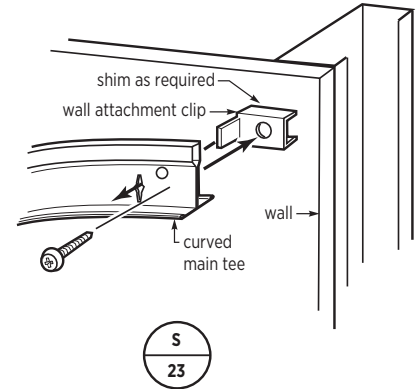
VAULTS AND VALLEYS

CURVED DRYWALL CEILINGS

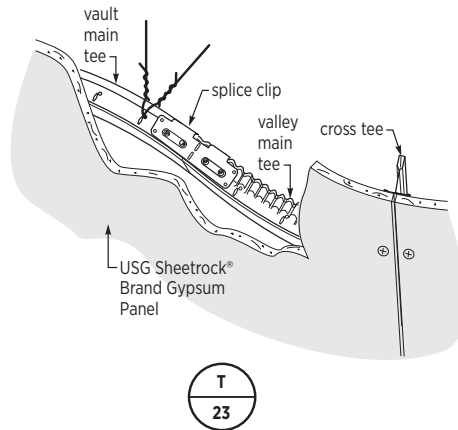
Vault to flat—field-cut connection



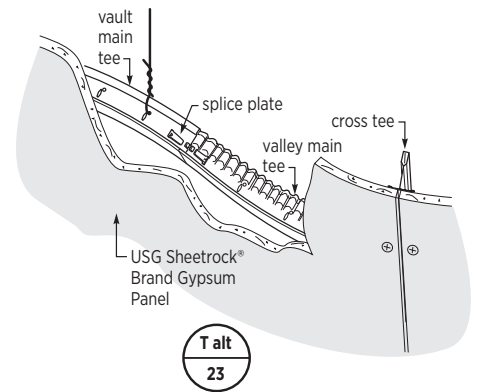
Curved main tee to parallel wall connection



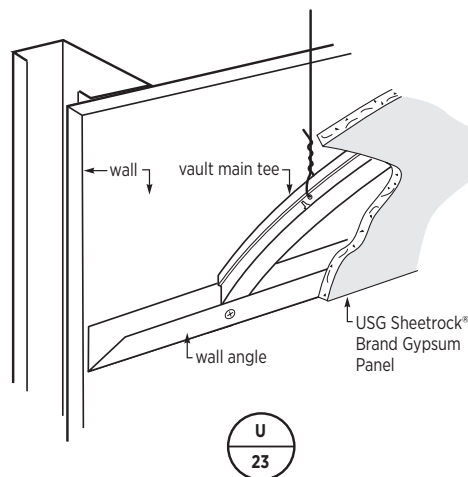
Vault to valley - field-cut connection



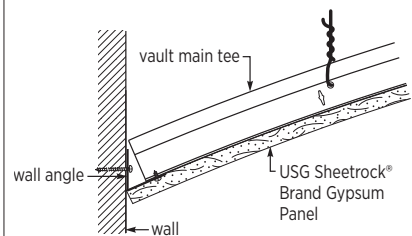
Vault to valley - factory-end connection



**Curved main tee perpendicular to wall connection
(section and isometric view)**



Acute intersection vault tee



VAULTS AND VALLEYS

CURVED DRYWALL CEILINGS

PANEL SELECTOR FOR CURVED CEILINGS

	Curved Main Tees ¹					Gypsum Board Thickness Options ²	
	Radius	Arc Length	Cross-Tee Spacing	Item No.	Hanger-Wire Spacing	Parallel ³	Perpendicular ³
Vault	31"-44"	68	8" o.c.	DGW6VTxxx	48"	—	1/4" flex double layer ⁴
	45"-60"	88	8" o.c.	DGW8VTxxx	48"	—	1/4" double layer
	61"-91"	108	8" o.c.	DGW10VTxxx	48"	1/4" double layer ⁴	1/4" double layer
	92"-239"	108	16" o.c.	DGW10VTxxx	48"	1/4" double layer or 3/8"	1/4" double layer or 3/8"
	240"+	128	16" o.c.	DGW12VTxxx	48"	1/4" double layer or 1/2"	1/4" double layer or 1/2"
Valley	31"-44"	68	8" o.c.	DGW6VYxxx	24"	—	1/4" flex double layer
	45"-60"	88	8" o.c.	DGW8VYxxx	24"	—	1/4" double layer
	61"-91"	108	8" o.c.	DGW10VYxxx	24"	1/4" double layer ⁴	1/4" double layer
	92"-239"	108	16" o.c.	DGW10VYxxx	24"	1/4" double layer or 3/8"	1/4" double layer or 3/8"

¹ All curved main tees are to be spaced 48" OC.

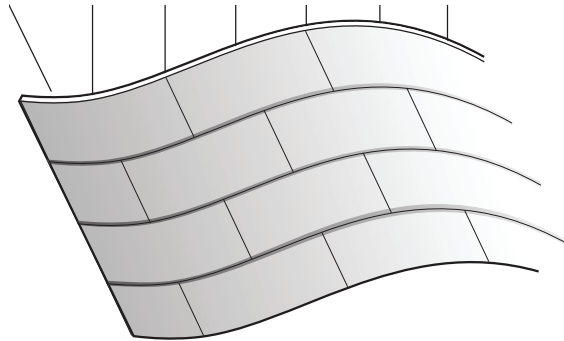
² In a multiple-radius curved ceiling, select panel thickness based on the smallest radius in the design.

³ See drawings below.

⁴ 1/4" gypsum panels must be applied in a double layer for durability and finishing.

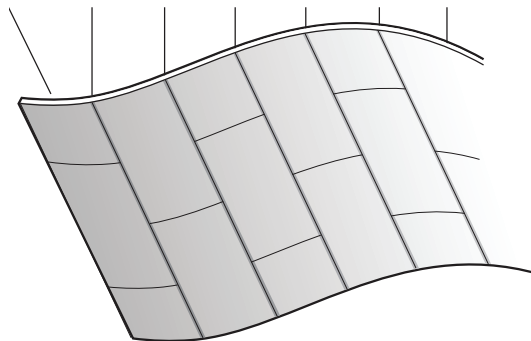
PARALLEL APPLICATION OF DRYWALL

"Parallel" refers to the long wrapped edges of the gypsum panel applied **parallel** to the curved main tees.



PERPENDICULAR APPLICATION OF DRYWALL

"Perpendicular" refers to the long wrapped edges of the gypsum panels applied **perpendicular** to the curved main tees.



VAULTS AND VALLEYS

CURVED DRYWALL CEILINGS

BENDING RADIUS FOR GYPSUM PANELS

Minimum Bending Radii of Dry Gypsum Board¹

Board Thickness		Board Applied with Long Dimension Perpendicular to Framing		Board Applied with Long Dimension Parallel to Framing	
in.	mm	ft.	m	ft.	m
1/4	6.4	3	0.9	5	1.8
3/8	9.5	6	1.8	9	2.7
1/2	12.7	12	3.7	—	—
5/8	15.9	18	5.5	—	—

¹Comparable information is available for USG Fiberock® Brand Panels. See the most current literature of USG Fiberock® Brand Panels for data.

Minimum Radii of USG Sheetrock® Brand 1/4" Flexible Gypsum Panels

Application	Condition	Lengthwise Bend Radii		Max. Stud Spacing		Widthwise Bend Radii		Max. Stud Spacing	
		in.	mm	in.	mm	in.	mm	in.	mm
Inside (concave)	Dry*	32	813	9	229	45	1143	9	229
Outside (convex)	Dry*	34	864	9	229	20	508	6	152

*At 75° F/50% relative humidity.

Minimum Bending Radii of Wetted Gypsum Board¹

Board Panel Thickness	Radius	Inside Length of Arc ²	Outside Length of Arc ²	No. of Studs on Arc Including at Tangents ³	Approx. Stud Spacing c. to c. ⁴	Max. Stud Spacing c. to c. ⁴	Oz. of Water Required per One-Side-oz ⁵
1/4"	2'0"	3.14'	44.0"	9	5.50"	6"	30
1/4"	2'6"	3.93'	53.4"	10	5.93"	6"	30
3/8"	3'0"	4.71'	62.8"	9	7.85"	8"	35
3/8"	3'6"	5.50'	72.2"	11	7.22"	8"	35
1/2"	4'0"	6.28'	81.6"	8	11.70"	12"	45
1/2"	4'6"	7.07'	91.1"	9	11.40"	12"	45

¹ For gypsum board applied horizontally to framing members.

² Arc length = $\frac{3.14R}{2}$ (for a 90° arc).

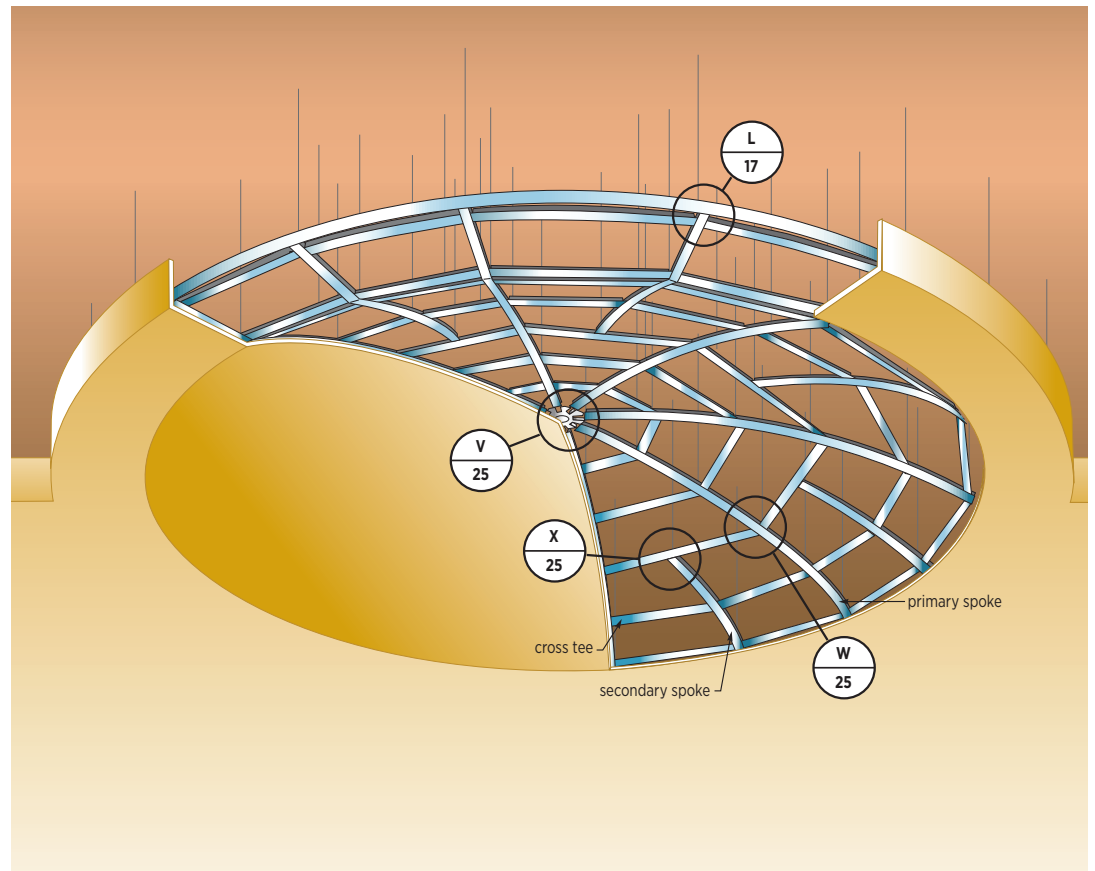
³ No. studs = outside arc length/maximum spacing + 1 (rounded up to next whole number).

⁴ Stud spacing = outside arc length/no. of studs - 1 (measured along outside of runner).

⁵ Wet only the side of board that will be in tension, water required per board side is based on 4'x8' sheet

DOMES

CURVED DRYWALL CEILINGS



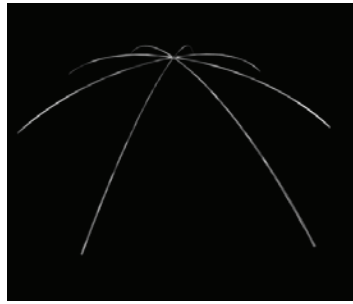
USG offers pre-engineered solutions for framing domed ceilings. Curved main tees are factory-bent to form spokes and cross tees for the dome frame system. This eliminates jobsite bending required with conventional framing methods. Domes can then be finished using either gypsum board or lath and plaster.

- Hanger wires shall be spaced a maximum of 32" along each spoke.
- Additional secondary spokes are required when spacing between primary spokes exceeds 48".
- Hanger wires are required at both ends of all secondary spokes.
- Cross tees are required 16" OC maximum.

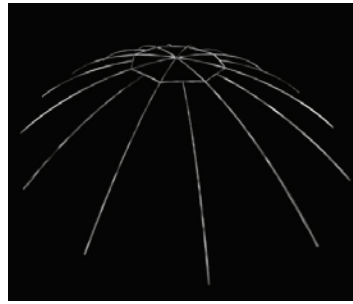
DOMES

CURVED DRYWALL CEILINGS

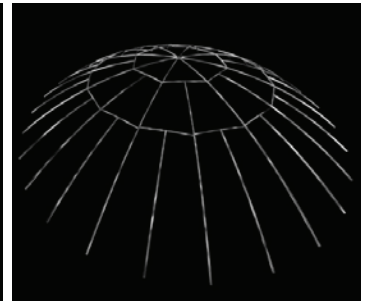
Hub and primary spokes



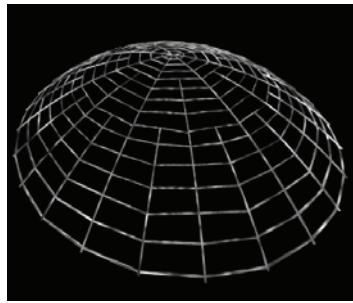
First header and secondary spokes



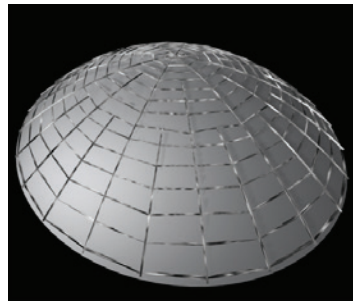
Second header and secondary spokes



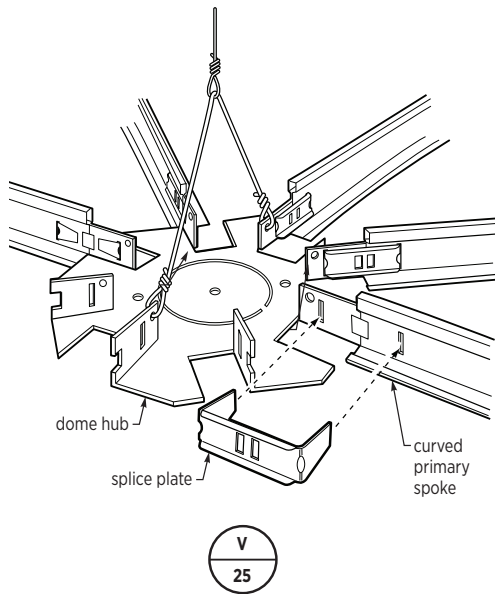
Cross tees



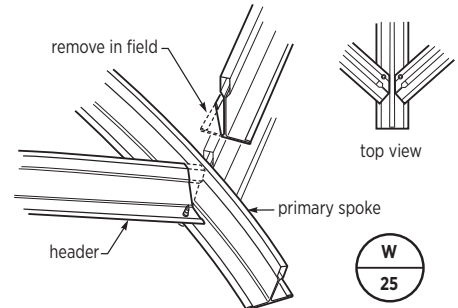
Lath and plaster finish



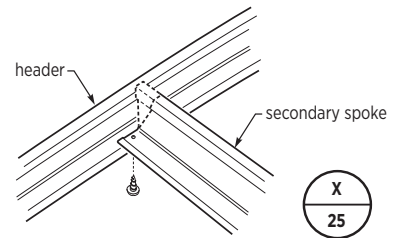
Detail 1: Top-connector spoke hub



Detail 2: Header-to-spoke connection

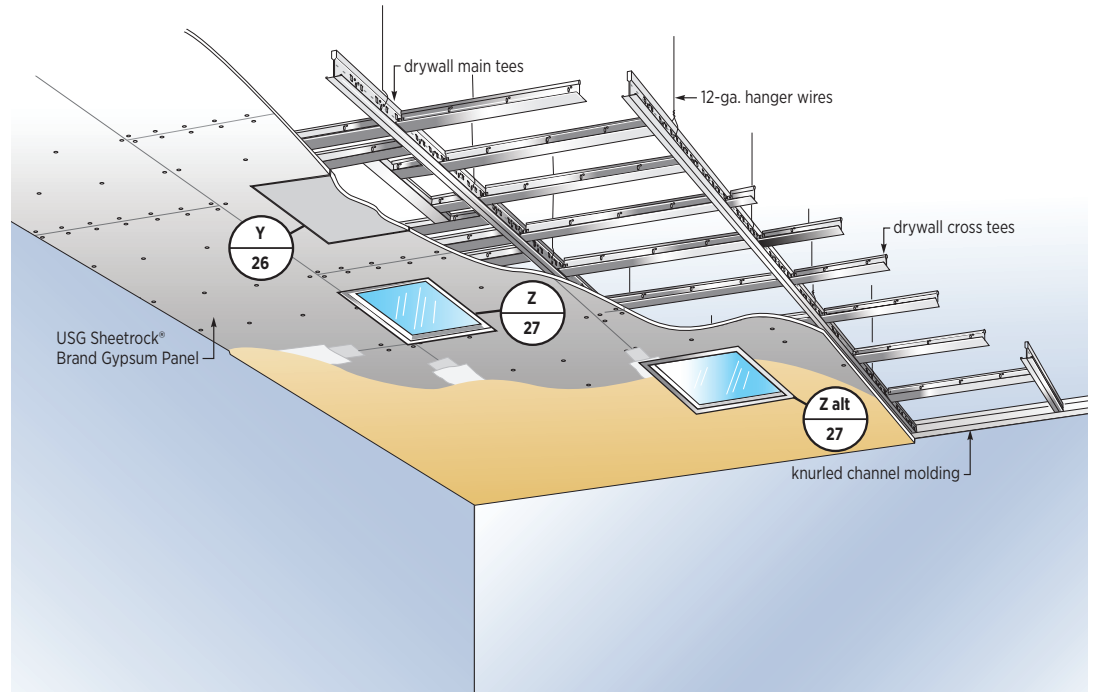


Detail 3: Secondary spoke connection



UTILITY INTERFACES

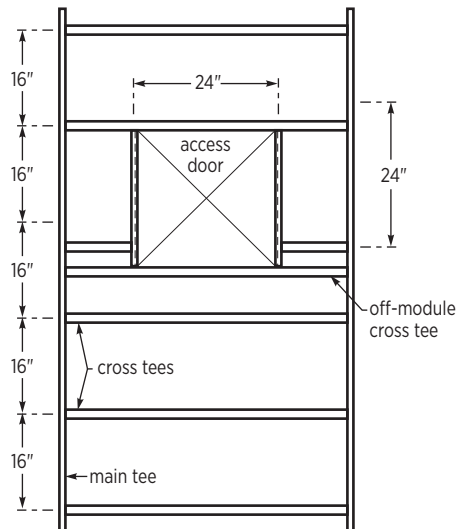
FLAT DRYWALL CEILINGS



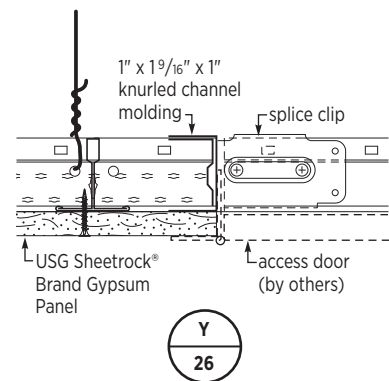
The USG Drywall Suspension System easily accommodates conventional light fixtures, access doors or HVAC ceiling diffusers.

Note: These renderings and details are provided for illustrative purposes only and are not a substitute for certified architectural and engineering drawings, nor do they necessarily reflect national and local building code requirements.

Access door



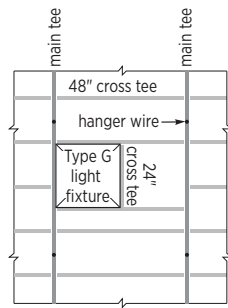
Access door



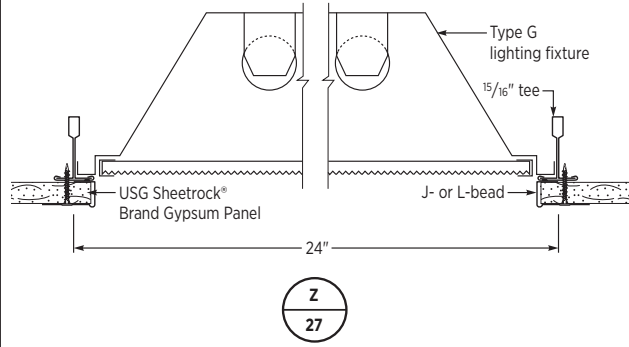
UTILITY INTERFACES

FLAT DRYWALL CEILINGS

TYPE G LIGHT FIXTURE

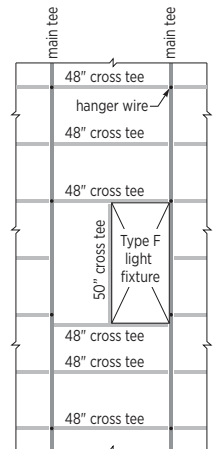
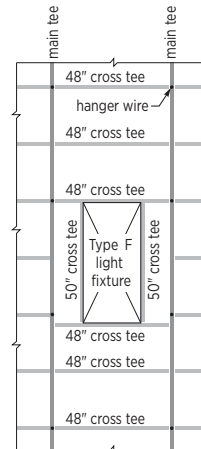
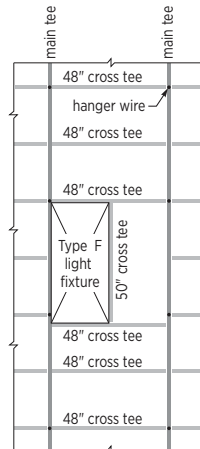
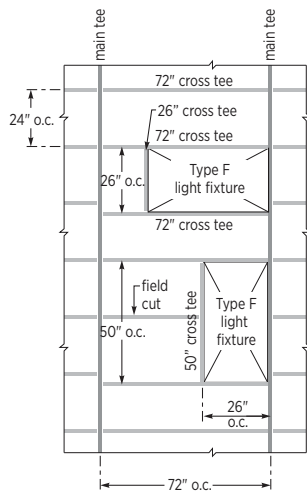
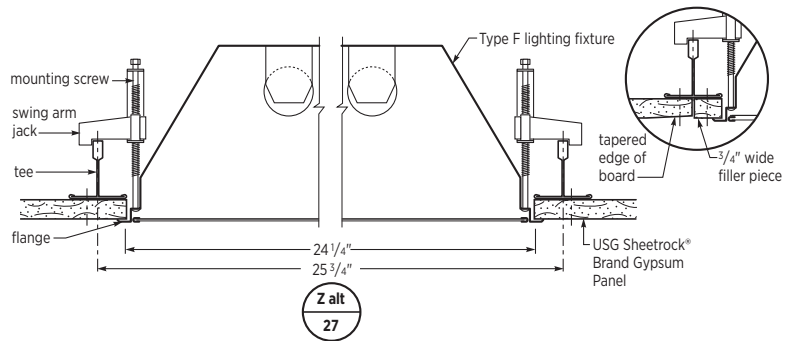


A Type G fixture, commonly used in suspended acoustical suspension ceilings, requires 15/16"-face main or cross tees to be located on either 24" or 48" centers. Drywall is cut even with the grid flanges and trimmed with J- or L-bead. The fixture is passed through the opening and lowered to rest on the grid flanges.



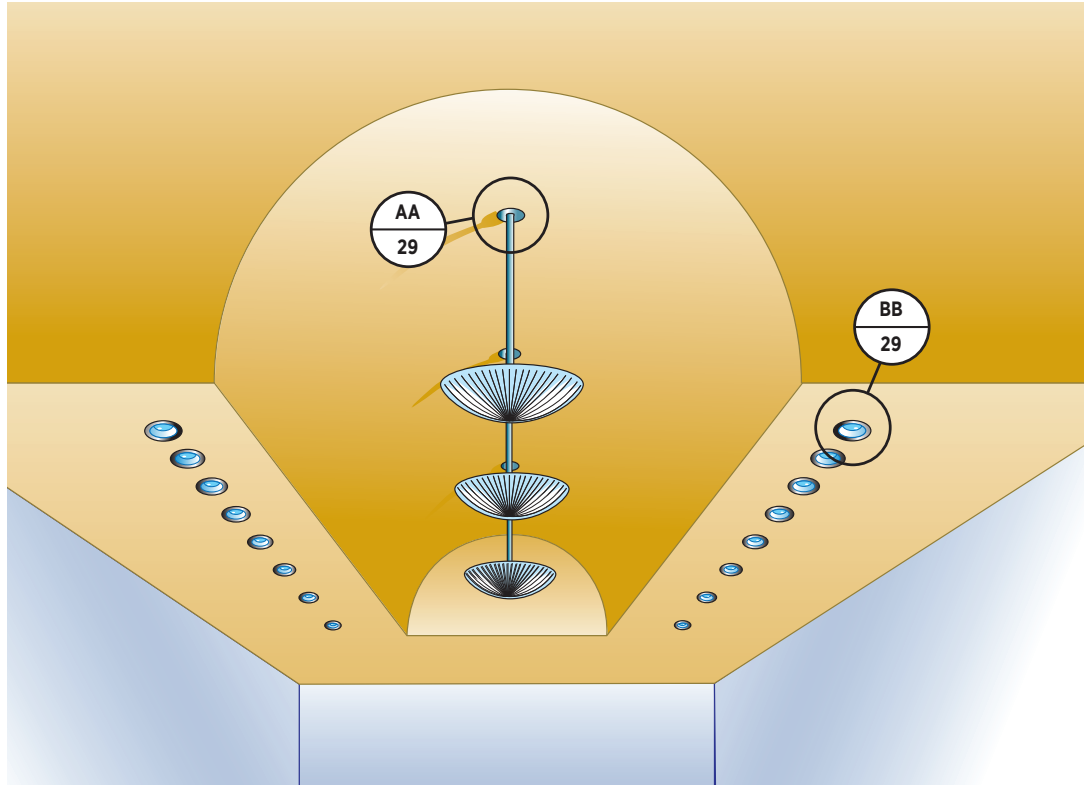
TYPE F LIGHT FIXTURE

A Type F light fixture has lower flanges that cap the cut edges of the drywall. This fixture typically requires a full 24" or 48" opening, and many systems require grid members to be installed "off-module" to accommodate the light. All USG Drywall Suspension System main tees are factory-punched with a three-slot cross tee hole pattern every 8" so that Type F light fixtures can be positioned in a variety of locations within a grid opening without field-modifying support tees. Type F light fixtures are raised into the opening until the flanges contact the ceiling. Securing devices on the fixture are adjusted to suspend the fixture from the grid and pull it tight to the ceiling surface.



UTILITY INTERFACES

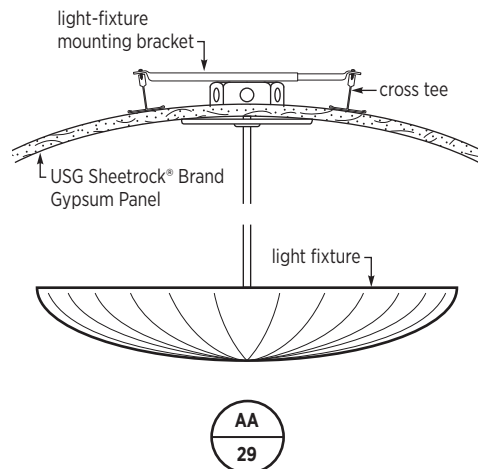
CURVED DRYWALL CEILINGS



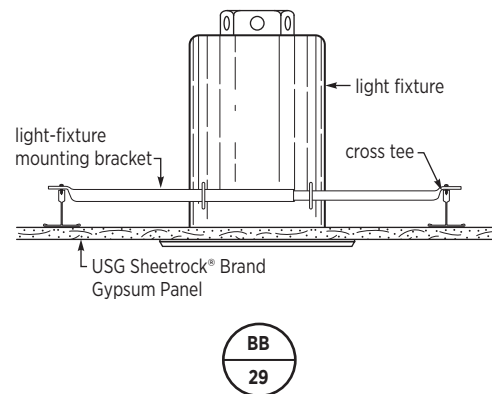
Curved drywall ceilings create exciting lighting design opportunities. The interface of light fixtures with curved ceiling surfaces requires careful design consideration. Stem- and cablestyle indirect and direct light choices are possible solutions. Recessed flat sections can be built into curved sections to accommodate light fixtures. Sconces are also very effective with a vaulted ceiling.

Note: These renderings and details are provided for illustrative purposes only and are not a substitute for certified architectural and engineering drawings, nor do they necessarily reflect national and local building code requirements.

Pendant fixture - vault



Incandescent fixture - recessed flat ceiling



FIRE-RATED ASSEMBLIES

FLAT DRYWALL CEILINGS

Floor/Ceiling	UL Design No.	Assembly Rating*	Board Thick.	Wallboard Type	Fixture Size (% of Fixtures)	Max Duct Area, sq. in. per 100 sq. ft.	Assembly Construction Details
Concrete/Steel Deck	D501	2 HR-R 1-1/2 HR-UR 2 HR-UBR	5/8"	USG Sheetrock® Brand Firecode C	N/A	N/A	Min. 2" normal wt. concrete on min. W8x17 beams
	D502	2 HR-R & UR 2 HR-UBR	5/8"	USG Sheetrock® Brand Firecode C 1P-X2, 1PC-AR & WRC	2x4 (24%)	144 sq. in.	Min. 2-1/2" normal wt. concrete topping on min. W8x28 beams
	D503	2 HR-R & UR 2 HR-UBR	5/8"	USG Sheetrock® Brand Firecode C	69 dia. incandescent 4 per 100 sq. ft.	N/A	Min. 2-1/2" normal wt. concrete on 2" steel deck on min. W12x19 beams
Concrete/Expanded Lath Floors Over Steel Joists and Beams	G523	2 HR-R & UR 3 HR-UBR	5/8"	USG Sheetrock® Brand Firecode C 1P-X2	2x4 (24%)	144	Min. 2-1/2" normal wt. concrete topping on min. 8J2 joists and W10x21 beams
	G524	2 HR-R & UR 2 HR-UBR	1/2"	USG Sheetrock® Brand Firecode C 1P-X2, 1PC-AR & WRC	N/A	113	Min. 2-3/4" or 2-1/2" lt. wt. or normal wt. concrete topping on min. 8" or 10" Hambro joists, respectively, and min. W8x24 beams
	G525	2 HR-R & UR 2 HR-UBR	5/8"	USG Sheetrock® Brand Firecode C	N/A	113	Min. 3-1/2" or 3-1/4" normal wt. concrete topping on min. 8" or 10" Hambro joists, respectively, and W8x24 beams
	G526	2 HR-R & UR 2 HR-UBR	1/2"	USG Sheetrock® Brand Firecode C	2x4 (25%)	57	Min. 2-1/2" normal wt. concrete topping on min. 8J2 joists and W10x21 beams
	G527	2 HR-R & UR 3 HR-UBR	1/2"	USG Sheetrock® Brand Firecode C 1P-X2 & 1PC-AR	N/A	N/A	Min. 2-1/2" normal wt. concrete topping on min. 8J2 joists and W10x21 beams
	G528	1-1/2 HR-R & UR	1/2"	USG Sheetrock® Brand Firecode C	N/A	N/A	Min. 2-1/2" normal wt. concrete topping on min. 10J2 joists
	G529	2 HR-R & UR 2 or 3 HR-UBR	1/2"	USG Sheetrock® Brand Firecode C	2x4 (24%)	57	Min. 2-1/2" normal wt. or lt. wt. concrete topping on min. 10J2 joists and W8x24 beams
		3 HR & UR 3 HR-UBR	1/2"	USG Sheetrock® Brand Firecode C	2x4 (24%)	57	Min. 3-1/4" normal wt. concrete topping on min. 10J2 joists and W8x24 beams
		3 HR-R & UR 3 HR-UBR	5/8"	USG Sheetrock® Brand Firecode C	2x4 (24%)	57	Min. 2-3/4" normal wt. concrete topping on min. 10J2 joists and W8x24 beams
	G531	2 HR-R&UR 2 HR-UBR	1/2"	USG Sheetrock® Brand Firecode C	1x1 (1%)	144	Min. 3-1/4" normal wt. concrete min. 6" D500 steel joist
		1 HR-R&UR	5/8"	USG Sheetrock® Brand Firecode C	1x1 (1%)	144	Min. 2-1/2" normal wt. concrete min. 6" D500 or D510 steel joist
	G541	1 HR-R&UR	5/8"	USG Sheetrock® Brand Firecode C	2x4 (24%)	113	Min. 3-1/2" normal wt. concrete min. 7-3/16"- deep, 18-ga. steel C-joists
	G546	1 HR-R&UR 1 HR-UBR	5/8"	USG Sheetrock® Brand Firecode C	N/A	N/A	Min. 2" normal lt. wt. concrete light-gauge steel truss
	G547	2 HR-R&UR	1/2"	USG Sheetrock® Brand Firecode C	2x4 (24%)	114	Min. 2-1/2" normal wt. concrete min. 8J2 or 10K1 steel joists
		3 HR-R&UR 3 HR-UBR	5/8"	USG Sheetrock® Brand Firecode C	2x4 (24%)	114	Min. 3" normal wt. concrete min. 8J2 or 10K1 steel joists
G551	1 HR-UR	5/8" (1 or 2 layers)	USG Sheetrock® Brand Firecode C	N/A	N/A	1" USG Levelrock® Brand, steel deck, 9-1/4"-deep steel C-joists @ 24" OC, 3-1/2" insulation, RC-Is @ 24" OC	
Precast Concrete Floors	J502	2 HR-U & UR 3 HR-R & UR	5/8"	USG Sheetrock® Brand Firecode C	NA	NA	Min. 2" normal wt. concrete slab min. 2-3/4" normal wt. concrete slab
		3 HR-R & UR	5/8"	USG Sheetrock® Brand Firecode C	NA	NA	
Wood Joists	L211	2 HR-UR 75-min. finish rating	1/2"	USG Sheetrock® Brand Firecode C	1x4 (12%) 2x2 (16%) 2x4 (24%) 20"x48" (20%)	576	T & G or plywood (see 6 alternatives) over subfloor on 2x10 joists @ 16" OC, plus P237- ceiling const.
	L502	1 HR-UR 22-min. finish rating	1/2"	USG Sheetrock® Brand Firecode C 2P-X2, 1PC-AR & WRC	N/A	N/A	T & G or plywood (see 14 alternatives) over subfloor on 2x10 joists @ 16" OC
	L508	1 HR-UR 29-min. finish rating	5/8"	USG Sheetrock® Brand Firecode C 1P-X1, 2P-X2, 2PC-AR, SCX, SYX & WRX	N/A	N/A	T & G or plywood on 4x10 or DBL 2x10 joists
	L513	1 HR-UR 28-min. finish rating	5/8"	USG Sheetrock® Brand Firecode C	N/A	N/A	3/4" T & G w/ adhesive on 2x10 joists @ 24" OC, drywall battens at joints (see 15 alternatives)

FIRE-RATED ASSEMBLIES

FLAT DRYWALL CEILINGS

Floor/Ceiling	UL Design No.	Assembly Rating*	Board Thick.	Wallboard Type	Fixture Size (% of Fixtures)	Max Duct Area, sq. in. per 100 sq. ft.	Assembly Construction Details
	L515	1 HR-UR 21-min. finish rating	1/2"	USG Sheetrock® Brand Firecode C 2P-X2, 1PC-AR & WRC	N/A	N/A	T & G over subflooring on 2x10 joists @ 16" OC (see 9 alternatives)
	L523	1 HR-U 21-min. finish rating	5/8"	USG Sheetrock® Brand Firecode C	N/A	198	Finish floor over 5/8" plywood on 2x10 joists @ 16" OC max.
	L525	1 HR-UR 21-min. finish rating	1/2" or 5/8"	USG Sheetrock® Brand Firecode C	2x4 (24%)	57	T & G or plywood over subflooring on 2x10 joists @ 16" OC (see 12 alternatives)
	L526	1 HR-UR 22-min. finish rating	5/8"	USG Sheetrock® Brand Firecode C 1P-X2, 1PC-AR & WRC	2x4 (24%)	114	T & G or plywood over on 2x10 joists (see 10 alternatives)
Plywood with Wood Truss	L521	1 HR-U 25-min. finish rating	5/8"	USG Sheetrock® Brand Firecode C	N/A	324	Finish floor over plywood subfloor on min. 18"-deep wood truss @ 24" OC max.
	L529	1 HR-UR 22-min. finish rating	5/8"	USG Sheetrock® Brand Firecode C 1P-X2, 2PC-AR	2x4 (24%)	57	T & G wood floor or normal wt. insulating concrete over subflooring (see 16 alternatives) on trusses @ 24" OC max
	L550	1 HR-U 23-min. finish rating	5/8"	USG Sheetrock® Brand Firecode C	N/A	360	Finish floor over T&G plywood subfloor on min. 18"-deep wood truss @ 24" OC max.
Steel C-Joists or Light-Gauge Steel Truss	L524	1 HR-R&UR	1/2" (2 layers)	USG Sheetrock® Brand Firecode C	N/A	N/A	Finish floor over plywood subfloor on min. 7"-deep steel C-joist
	L548	1 HR-R&UR	5/8" (2 layers)	USG Sheetrock® Brand Firecode C	N/A	N/A	7/8" T&G plywood on min. 11-3/8"-deep, 16-ga. steel truss @ 24" OC max.
	L549	1 HR-R&UR	5/8"	USG Sheetrock® Brand Firecode C	N/A	N/A	Finish floor over 23/32" plywood on light-gauge steel trusses @ 48" OC max.
	L551	1 HR-R&UR	5/8"	USG Sheetrock® Brand Firecode C	N/A	N/A	Finish floor over 23/32" plywood on light-gauge steel trusses @ 48" OC max.
	L552	1 HR-R&UR	5/8"	USG Sheetrock® Brand Firecode C	N/A	N/A	Finish floor over 23/32" plywood on light-gauge steel trusses @ 48" OC max.
	L553	1 HR-R&UR	5/8"	USG Sheetrock® Brand Firecode C	N/A	N/A	Finish floor over 23/32" plywood on light-gauge steel trusses @ 48" OC max.
	L559	1 HR-R&UR	5/8"	USG Sheetrock® Brand Firecode C	N/A	N/A	Finish floor over 23/32" plywood on light-gauge steel trusses @ 48" OC max.
	L560	1 HR-R&UR	5/8"	USG Sheetrock® Brand Firecode C	N/A	N/A	Finish floor over 23/32" plywood on light-gauge steel trusses @ 48" OC max.
	L563	1 HR-UR	5/8"	USG Sheetrock® Brand Firecode C	N/A	256	Wood floor; 2x4 open-web wood truss @ 24" OC
	L569	1 HR-UR	5/8"	USG Sheetrock® Brand Firecode C	N/A	N/A	Wood floor; 2x10 wood joists @ 16" or 24" OC when battens (item 7) are used.
	L570	1 HR-UR	1/2"	USG Sheetrock® Brand Firecode C	N/A	N/A	Wood floor, 9-1/2"-deep wood I-joists @ 19.2" OC

* R = restrained rating
 UR = unrestrained rating
 UBR = unrestrained beam rating

FIRE-RATED ASSEMBLIES

FLAT DRYWALL CEILINGS

Floor/Ceiling	UL Design No.	Assembly Rating*	Board Thick.	Wallboard Type	Fixture Size (% of Fixtures)	Max Duct Area, sq. in. per 100 sq. ft.	Assembly Construction Details
Double Ceiling Roof Assemblies	P237	2-HR-R & UR 2-HR-UBR	1/2"	USG Sheetrock® Brand Firecode C	1x4 (12%), 2x2 (16%), 2x4 (24%), 20"x48" (20%)	576	Roof system on steel roof deck, min. fiber 8H3 or 10k1 min. @ 72" OC max.
	P239	1-1/2 HR-R & UR 1-1/2 HR-UBR	1/2"	USG Sheetrock® Brand Firecode C	1x4 (12%), 2x2 (16%), 2x4 (24%), 20"x48" (20%)	576	Roof covering of gypsum concrete over USG form board, subpurlins and 12J3 joists with W6x16 beam
	P241	2 HR-R & UR	1/2"	USG Sheetrock® Brand Firecode C	1x4 (12%), 2x2 (16%), 2x4 (24%), 20"x48" (20%)	576	Roof covering over insulating concrete on steel roof deck and 10J3 min. joists @ 48" OC
Mineral and Fiber Board on Building Units or Precast Concrete	P501	1 and 2 HR-R & UR	5/8"	USG Sheetrock® Brand Firecode C 2P-X2 & 2PC-AR	N/A	N/A	Roof covering over mineral and fiber board on building or precast concrete units, 14J5 joists @ 48" OC max.
Gypsum Plank, Insulation Board	P506	1-1/2 HR-R & UR	5/8"	USG Sheetrock® Brand Firecode C	2x4 (24%)	57	Roof covering over min. & fiber boards on gypsum planks, subpurlins and 12 H5 joists @ 48" OC max.
	P508	1 HR-R & UR	5/8"	USG Sheetrock® Brand Firecode C 2P-X2, 1PC-AR & WRC	2x4 (24%)	144	"Roof covering over min. & fiber boards (see alt) gyp wallboard, steel roof deck, 10J4 joists (min.) @ 48" OC"
Insulating Concrete	P507	"1-1/2 HR-R 1 HR-UR"	5/8"	USG Sheetrock® Brand Firecode C	2x4 (24%)	57	Roof covering on foamed plastic insulation, Gypsum conc and form boards on subpurlins and 10J4 joists (min.) @ 4' OC
	P509	1 HR-R & UR 1 HR-R"	5/8"	USG Sheetrock® Brand Firecode C	2x4 (24%)	144	Roof covering on foamed plastic insulation, Gypsum conc and form boards on subpurlins and 10J4 joists (min.) @ 4' OC
Corrugated Steel Deck with Insulated Board or Foam Plastic Insulation	P510	1 & 1-1/2 HR-R & UR"	1/2" & 5/8"	USG Sheetrock® Brand Firecode C	2x4 (24%)	57	Roof covering over insulation (see alt) on gypsum wallboard steel roof deck, 10J4 joists (min.) @ 72" OC max.
	P513	1-1/2 HR-R & UR	5/8"	USG Sheetrock® Brand Firecode C	2x4 (24%)	144	Roof covering on insulating concrete and foamed plastic over corrugated steel deck, 10J4 steel joists @ 48" OC
	P514	2 HR-R & UR	5/8"	USG Sheetrock® Brand Firecode C	2x4 (24%)	255	Roof covering over insulation (see 9 alternatives), gyp. wallboard and steel deck, 8H3 steel joists @ 48" OC
	P516	1 HR-UR	5/8" (2 layers)"	USG Sheetrock® Brand Firecode C	N/A	N/A	Metal roof deck panels on min. 8"-deep C- or Z-shaped purlins @ 60" max., glass fiber insulation between roof deck panels and steel roof purlins, W-shaped beam
	P518	1 HR-R&UR 1 HR-UB"	1/2" (2 layers)	USG Sheetrock® Brand Firecode C	N/A	N/A	Roof covering over steel deck on min. 8"-deep, 18-ga. steel C-joists @ 24" OC max.
Engineered Steel or Wood Roof Truss	P515	1 HR-R&UR	5/8" (2 layers)	USG Sheetrock® Brand Firecode C	N/A	N/A	Roof covering over mineral and fiber board on steel roof deck over steel roof trusses @ 48" OC max.
	P521	2 HR-R&UR	5/8" (2 layers)	USG Sheetrock® Brand Firecode C	N/A	N/A	Roof covering over foamed plastic insulation, gypsum wallboard, steel deck on light-gauge steel trusses @ 48" OC max.
	P522	1 HR-UR	5/8"	USG Sheetrock® Brand Firecode C	N/A	196	Roof system over 15/32" plywood on wood trusses @ 24" OC max.
	P523	1 HR-R&UR	5/8"	USG Sheetrock® Brand Firecode C	N/A	N/A	Roof system over 23/32" plywood on light-gauge steel trusses @ 48" OC max.

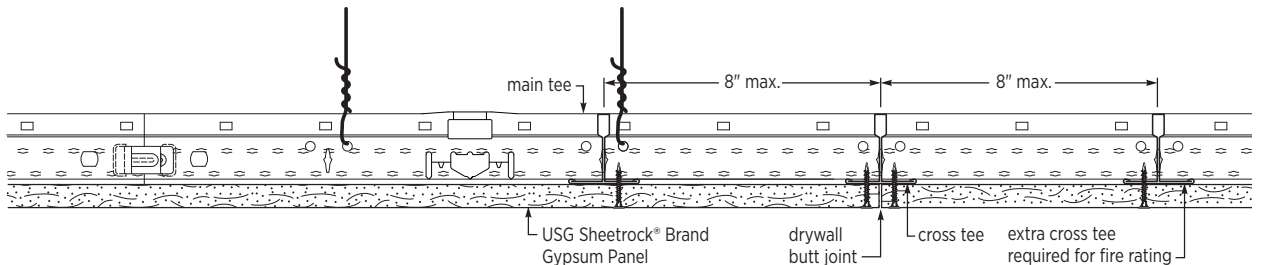
FIRE-RATED ASSEMBLIES

FLAT DRYWALL SUSPENSION CEILINGS

Floor/Ceiling	UL Design No.	Assembly Rating*	Board Thick.	Wallboard Type	Fixture Size (% of Fixtures)	Max Duct Area, sq. in. per 100 sq. ft.	Assembly Construction Details
Engineered Steel or Wood Roof Truss	P525	2 HR-R&UR	5/8" (2 layers)	USG Sheetrock® Brand Firecode C	N/A	N/A	Roof membrane or metal roof deck on foamed plastic insulation, USG Durock® Brand Cement Board or gypsum wallboard over corrugated steel deck on light-gauge steel trusses @ 48" OC max.
	P526	1 HR-R&UR	5/8"	USG Sheetrock® Brand Firecode C	N/A	N/A	Roof system over 23/32" plywood or steel roof deck on light-gauge steel trusses @ 48" OC max.
	P527	1-1/2 HR-R&UR	5/8"	USG Sheetrock® Brand Firecode C	N/A	N/A	Roof covering or metal roof deck on foamed plastic insulation, USG Durock® Brand Cement Board or gypsum wallboard over corrugated steel deck on light-gauge steel trusses @ 48" OC max.
	P528	1 HR-R&UR	5/8"	USG Sheetrock® Brand Firecode C	N/A	N/A	Roof system over 23/32" plywood or steel roof deck on light-gauge steel trusses @ 48" OC max.
	P529	1-1/2 HR-R&UR	5/8"	USG Sheetrock® Brand Firecode C	N/A	N/A	Roof covering or metal roof deck on foamed plastic insulation, USG Durock® Brand Cement Board or gypsum wallboard over corrugated steel deck on light-gauge steel trusses @ 48" OC max.
	P530	1 HR-R&UR	5/8"	USG Sheetrock® Brand Firecode C	N/A	N/A	Roof system over 23/32" plywood or steel roof deck on light-gauge steel trusses @ 48" OC max.
	P531	1 HR-UR	5/8"	USG Sheetrock® Brand Firecode C	N/A	360	Roof system over 15/32" plywood on wood trusses @ 24" OC max.
	P534	1 HR-R&UR	5/8"	USG Sheetrock® Brand Firecode C	N/A	N/A	Roof system over 23/32" plywood or steel roof deck on light-gauge steel trusses @ 48" OC max.
	P535	1 HR-R&UR	5/8"	USG Sheetrock® Brand Firecode C	N/A	N/A	Roof covering or metal roof deck over mineral and fiber board or foamed plastic insulation, USG Durock® Brand Cement Board or gypsum wallboard over light-gauge steel trusses @ 48" OC max.
	P536	2 HR-R&UR	5/8" (2 layers)"	USG Sheetrock® Brand Firecode C	N/A	N/A	Roof covering or metal roof deck on foamed plastic insulation, USG Durock® Brand Cement Board or gypsum wallboard over corrugated steel deck on light-gauge steel trusses @ 48" OC max.
	P537	1 HR-R&UR	5/8"				Roof system over 23/32" plywood or steel roof deck on light-gauge steel trusses @ 48" OC max.

Fire-Rated Butt Joint Cross-Tee Spacing

Fire-rated ceilings require extra cross tees spaced 8" or less on either side of the butt joint. Fire-rated assemblies require a hanger wire installed adjacent to fire-relief notch.



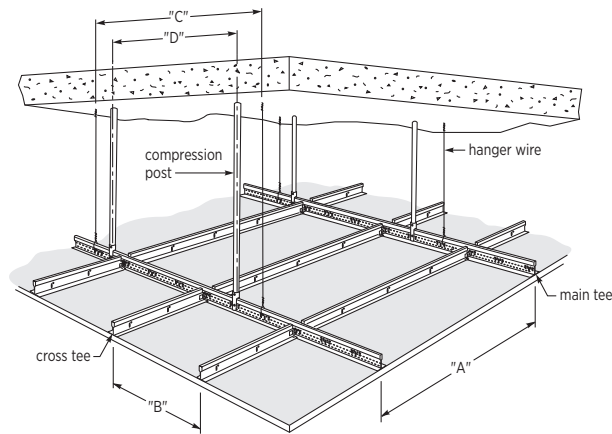
EXTERIOR APPLICATION WIND LOAD DATA

FLAT DRYWALL CEILING

USG has a selection of Drywall Suspension assemblies to accommodate the wind loads for most applications. The system has been tested using applicable industry standards for wind uplift resistance when installed in exterior soffits and canopies. For more detailed information regarding constructing exterior soffits, please refer to systems guide USG Exterior Ceilings Applications, SC2156.

Only USG Sheetrock® Brand exterior ceiling board, USG Durock® Brand cement board and USG Sheetrock® Brand Glass Mat Sheathing are suitable for exterior applications. Specific information for gypsum panel applications can be found at usg.com and usgdesignstudio.com.

Design wind loads vary with geographic region and building conditions and must be established by a professional engineer or architect of record.



Test Record	UL Class	Max. Uplift Load (psf)	Equivalent Wind Speed (mph)	Component Spacing				Exterior Soffit Panels	Plenum Height ¹ (in.)	Max. Compression Post Load (lbs.)	Test Standard
				(A) Main Runner	(B) Cross Tee	(C) 12-Gauge Hanger Wire	(D) Compression Post				
UL526	15	15	77	48	24	24	24	single-layer 5/8" gypsum panels	141	183.2	UL 580
UL526A, B	15	15	77	48	16 (526A) 24 (526B)	48	30	single-layer 1/2" gypsum panels	128	229	UL 580
UL526C	30	30	108	24	24	48	30	single-layer 1/2" gypsum panels	130	225	UL 580
UL526D	60	60	188	24	24	48	42	double-layer 5/8" gypsum panels	76	525	UL 580
UL526E	90	90	188	24	24	48	30	double-layer 5/8" gypsum panels	76	525	UL 580
UL526F	90	90	188	24	16	48	24	single-layer 5/8" gypsum panels, single layer 3/8" plywood	76	525	UL 580
NOA NO. 12-0924.03	N/A	+75, -75	171	24	16	24	24	single-layer 1/2" or 5/8" glass mat sheathing w/direct applied EFIS	24	300	"TAS 202, TAS 203"

Note: Products containing an 'E' in the naming convention have a G90 coating for exterior environments.

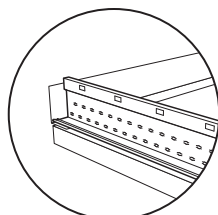
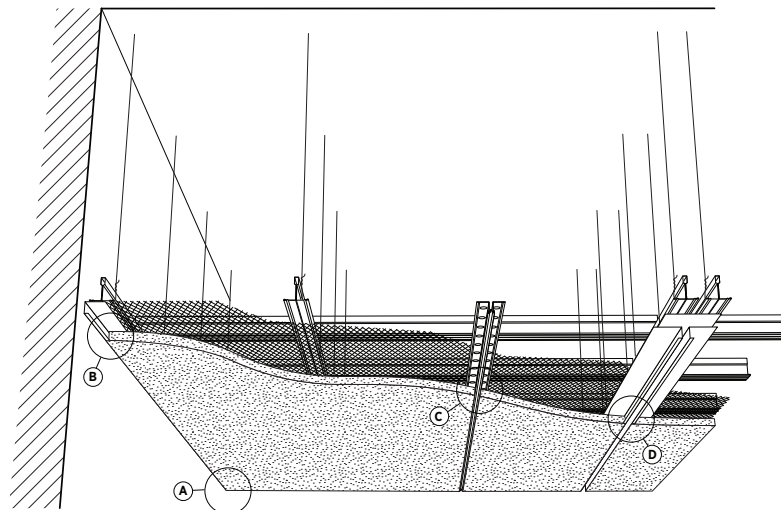
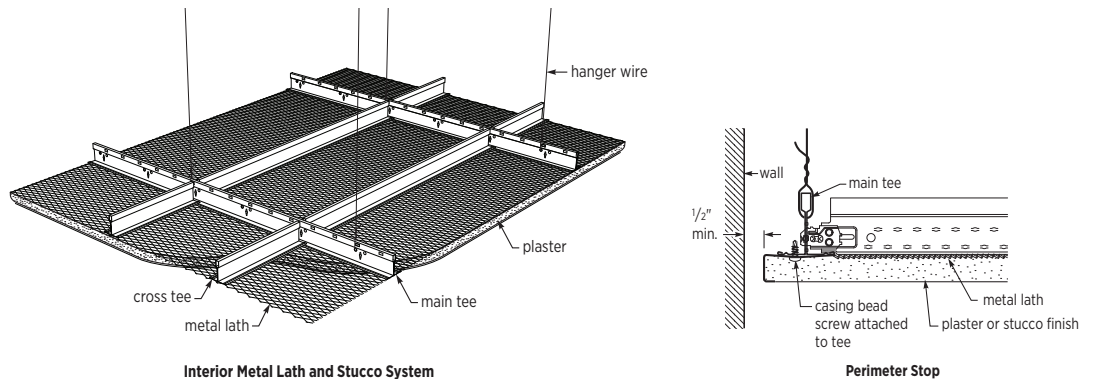
¹ Larger plenum heights require compression post size and gauge to be determined by a qualified structural engineer.

USG DRYWALL SUSPENSION STUCCO/ PLASTER/EIFS SYSTEM

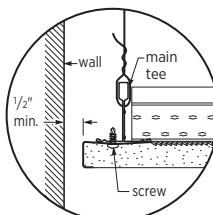
INTERIOR INSTALLATION INSTRUCTIONS

INSTALLATION

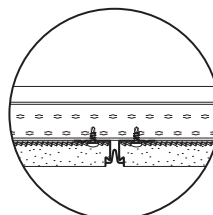
1. Suspension System and Hanger Wire
 - a. Main Tees - Laid out at 36" or 24" OC based on Membrane Load Value Table
 - b. Cross Tees - Laid out 16" or 24" OC based on Membrane Load Value Table
 - c. 12 Gauge Hanger Wire - Laid out no greater than 36" OC or otherwise dictated on Membrane Load Value Table
2. (Optional) Panel or Plywood - "Hard Lid"
 - a. Optional Gypsum or Wood membrane to be fastened into Drywall Suspension Framing Members
3. Metal Lath
 - a. 3/8", 3.4 lb Galvanized Self Furring Ribbed Sheet Lath 27" x 96"
4. Perimeter
 - a. Isolate perimeter with 1/2" min. gap but not to exceed 3/4"
 - b. Install casing bead installed at perimeter
5. Stucco/Plaster/EIFs Application
 - a. Compound, mixture, thickness to be project specified



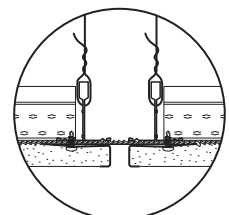
DETAIL A
Corner Isolation
from Wall



DETAIL B
Assembly Isolation
from Wall



DETAIL C
Control Joint



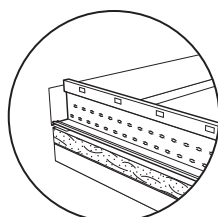
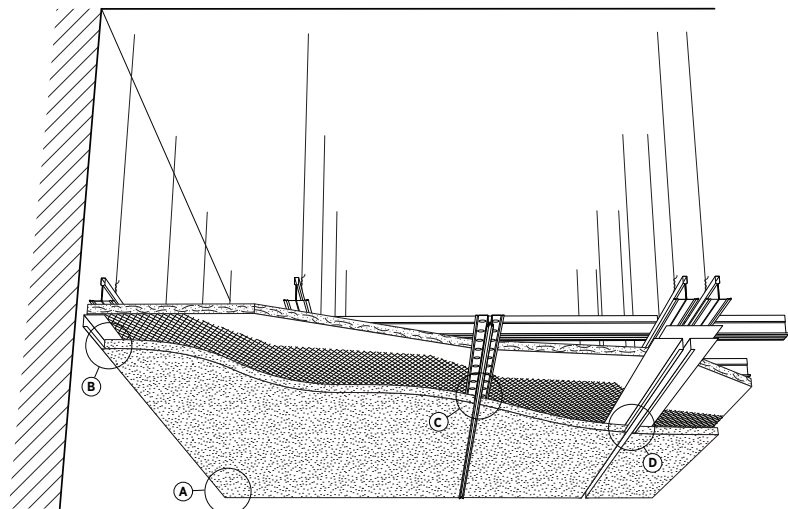
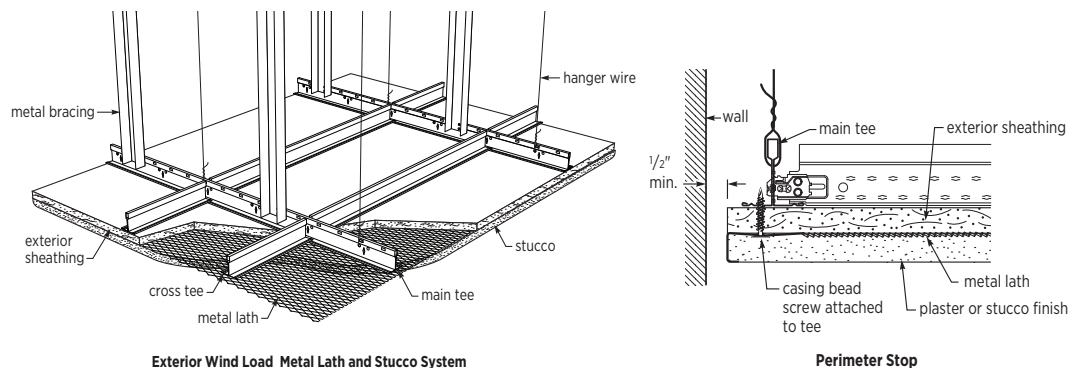
DETAIL D
Expansion Joint

USG DRYWALL SUSPENSION STUCCO/ PLASTER/EIFS SYSTEM

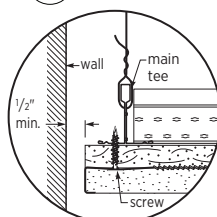
EXTERIOR INSTALLATION INSTRUCTIONS

INSTALLATION

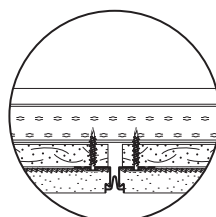
1. Suspension System and Hanger Wire
 - a. Main Tees - Laid out at 36" or 24" OC based on Membrane Load Value Table
 - b. Cross Tees - Laid out 16" or 24" OC based on Membrane Load Value Table
 - c. 12 Gauge Hanger Wire - Laid out no greater than 36" OC or otherwise dictated on Membrane Load Value Table
2. Lateral Force Bracing
 - a. Metal Stud thickness and spacing noted in **Table A** and Wind Load Data
3. (Optional) Panel, Sheathing or Plywood - "Hard Lid"
 - a. Optional Gypsum, Sheathing or Wood membrane to be fastened into Drywall Suspension Framing Members
4. Metal Lath
 - a. 3/8", 3.4 lb Galvanized Self Furring Ribbed Sheet Lath 27" x 96"
5. Perimeter
 - a. Isolate perimeter with 1/2" min. gap but not to exceed 3/4"
 - b. Install casing bead installed at perimeter
6. Stucco/Plaster/EIFs Application
 - a. Compound, mixture, thickness to be project specified



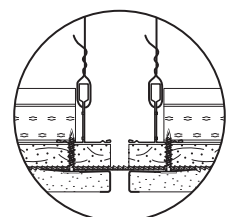
DETAIL A
Corner Isolation
from Wall



DETAIL B
Assembly Isolation
from Wall



DETAIL C
Control Joint



DETAIL D
Expansion Joint

USG DRYWALL SUSPENSION STUCCO/ PLASTER/EIFS SYSTEM

EXTERIOR INSTALLATION INSTRUCTIONS

TABLE A

Metal stud spacing for lateral force bracing

Steel members with sufficient strength are allowed by code and may be suitable for use as a compression post. Below are some common, light-gauge steel members provided by others that are typically used as compression posts.

Uplift Class / Maximum Pressure	Maximum length (in.)	Compression Post
Class 15 & Class 30 / 30 psf	96	Min. 1-5/8" in. — 20-ga. stud
		Min. 1-5/8" in. — 20-ga. track
Class 60 / 60 psf	48	Min. 1-5/8" in. — 20-ga. stud
		Min. 1-5/8" in. — 20-ga. track
	96	Min. 2-1/2" in. — 20-ga. stud back to back
		Min. 2-1/2" in. — 20-ga. stud back to back
Class 90 / 150 psf	48	Min. 1-5/8" in. — 20-ga. stud
		Min. 1-5/8" in. — 20-ga. track
	96	Min. 2-1/2" in. — 20-ga. stud back to back
		Min. 2-1/2" in. — 20-ga. stud back to back

Notes

1. The information provided is for quick reference only. Other restrictions and exemptions may apply.
2. All struts and allowable lengths should be verified by a design professional before use.
3. A structural engineer should be consulted for lengths greater than 8 ft.
4. Larger posts can be used; however, the compression post properties listed above shall be considered minimums.
5. The compression post must be attached to the grid member with at least four #8 screws.
6. The compression post attachment to the structure shall be determined by the engineer of record.

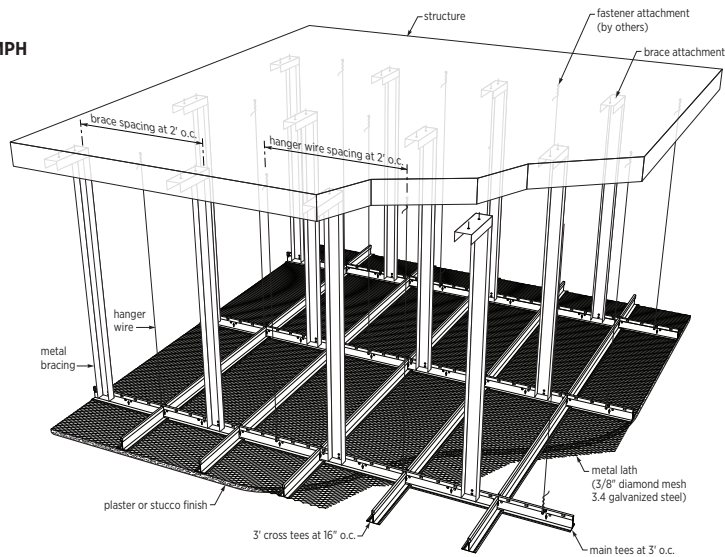
USG DRYWALL SUSPENSION STUCCO/ PLASTER/EIFS SYSTEM

WIND LOAD DATA

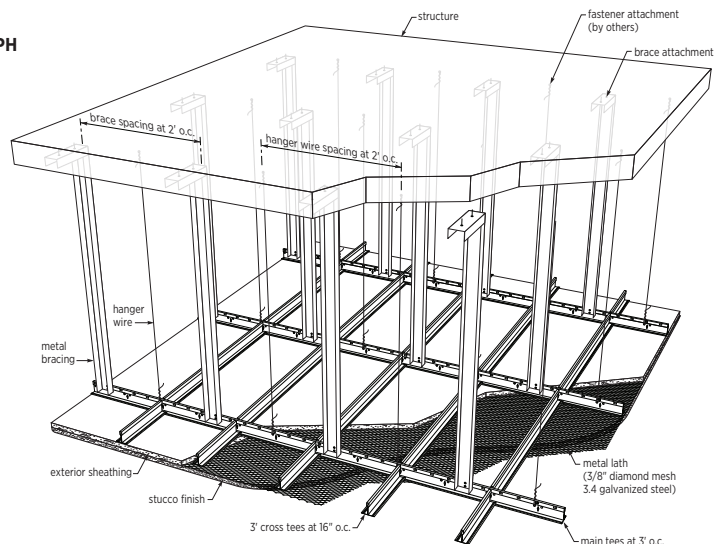
Type	Main Tee Spacing (Inch)	Cross Tee Spacing (Inch)	Compression Post Spacing (Inch)	Tested Panel Size	Test Standard	Maximum Load Rating (psf)		Equivalent Wind Speed mph. (kPh)	
						Uplift psf (kPa)	Downward psf (kPa)		
DWSS AND SECUROCK OR EXOAIR 430 + DIRECT APPLY FINISH SYSTEM	DGLW	24	16	24	1/2" ExoAir 430	Miami Dade TAS 202 & 203 ³	75 (3.59)	-75 (-3.59)	171 (275)
		24	16	24	1/2" ExoAir 430	Miami Dade TAS 202 & 203 ³	75 (3.59)	-75 (-3.59)	171 (275)
DWSS AND DRYWALL	DGLW	48	24	24	1 layer of 5/8"	UL 580 ²	15 (0.72)		77 (124)
		48	16	30	1 layer of 1/2"	UL 580 ²	15 (0.72)		77 (124)
		48	24	30	1 layer of 1/2"	UL 580 ²	15 (0.72)		77 (124)
		24	24	30	1 layer of 5/8"	UL 580 ²	30 (1.44)		108 (174)
		24	24	42	2 layer of 5/8"	UL 580 ²	60 (2.87)		153 (246)
		24	24	30	2 layer of 5/8"	UL 580 ²	90 (4.31)		188 (302)
		24	16	24	3/8" plywood and 5/8" drywall	UL 580 ²	90 (4.31)		188 (302)
		DWSS AND CEMENT STUCCO	DGLWSP	36	16	24	Typical Cement Stucco 12 psf	UL 1897 ¹	200 (9.57)

- Factor of safety of 1.17 is included per test standard
- Factor of safety of 1.5 for 30 psf; 1.3 for 60 psf; 1.17 for 90 psf is included per test standard
- Factor of safety of 1.5 is included per test standard

System for Maximum Wind Speed Up to 172 MPH



System for Maximum Wind Speed Up to 172 MPH



SEISMIC REQUIREMENTS

FLAT CEILINGS EXEMPTIONS

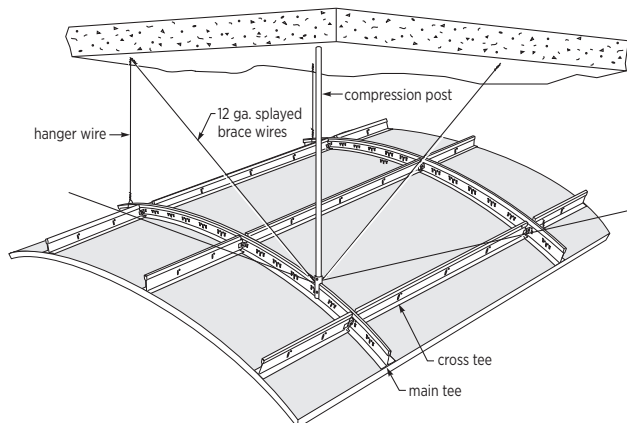
Flat ceilings constructed of gypsum board that are screw-attached to suspension members that support a ceiling on one level extending from wall to wall are generally exempt from acoustical seismic construction requirements such as the following: perimeter end wall clearance, perimeter hanger wires, horizontal restraint and vertical splay bracing; see ASTM E580. This is due to the diaphragm strength achieved by screw-attached gypsum board. In addition, there are no lay-in ceiling panels that can become dislodged.

	IBC Category D, E, F	IBC Category C
Minimum intersection strength limits for MT/CT	180 lbs.	60 lbs.
Vertical 12-gauge hanger-wire	Required	Required
Main-tee classifications	No min. requirement	No min. requirement
Perimeter vertical hanger wires not more than 8 in. from wall	Not required	Not required
Grid end/wall clearance	Not required	Not required
Perimeter closure (molding) width	No min. requirement	No min. requirement
Perimeter tee ends tied together at perimeters	Not required	Not required
Horizontal restraint (splay wires or rigid bracing) within 2 in. of intersection and splayed 90° apart at 45° angles	Not required	Not required
Compression posts (struts) 12 ft. OC in both directions, starting 6 ft. from walls	Not required	Not required
Supplementary light fixture attachment	Not required	Not required
Seismic separation joint	Not required	Not required
Drywall control joint	Required when applicable	Required when applicable

CURVED CEILINGS

1. Areas using curved main tees with radii 7" or larger should use seismic splay wires and compression posts 12' OC similar to the CISCA Guidelines for Seismic Restraint for Direct-Hung Suspended Ceiling Assemblies. See the illustration below for details.
2. Areas using curved main tees with radii smaller than 7' require bridging members, such as USG Donn® Brand DXW main tees, which span across the curved drywall main tees. These bridging tees are screw fastened to "hard" points in the curved drywall ceiling, such as the tops of vaults. Seismic splay wires and compression posts are then fastened to the bridging members.
3. Seismic restraint is usually accomplished with a set of four "splay" wires and a compression post. The wires run parallel to the main tees and cross tees at an angle of less than, or equal to, 45° to the horizontal. The compression post is installed at the junction of the four "splay" wires. This post must be strong enough to resist any uplift forces generated during an earthquake. The type of post needed also varies with the depth of the plenum. Compression posts must be approved by the project engineer or the architect of record to ensure they will resist the uplift forces. Call Technical Service for details. Seismic restraints must be installed at a minimum distance of 12' OC.

Interior Ceiling



APPLICATION GUIDE SPECIFICATIONS

FLAT DRYWALL CEILINGS

PART 1 GENERAL

1.01 Related Work

- A. Related work specified elsewhere:
 - 1. Gypsum Board: Section _____
 - 2. Air Handling: Section _____
 - 3. Lighting: Section _____
 - 4. Acoustical: Section _____
- B. Work installed but furnished under other sections: _____
- C. Work installed but furnished under other sections: _____

1.02 System Description

- A. A pre-engineered Drywall Suspension System consisting of straight main tees along with straight furring cross channels or cross tees, which join together to support screw-attached gypsum panels, independently supported light fixtures and air diffusers, where applicable. Where applicable, installed systems must conform to Underwriters Laboratories, LLC (UL) Fire Resistance Design No. and other applicable codes.

1.03 Quality Assurance

- A. Subcontractor qualification: Installer shall have successful experience installing suspension and drywall systems.
- B. Requirements of regulatory agencies: Codes and regulations of authorities having jurisdiction.
- C. Source quality control: Manufacturer will provide test certification for suspension systems as required to meet performance standards specified by various agencies.

1.04 References

- A. ASTM C635, Standard Specifications for Metal Suspension Systems
- B. ASTM C636, Recommended Practice for Installation of Metal Suspension Systems
- C. ASTM A653, Standard Specification for Steel Sheet, Zinc-Coated (Galvanized) or Zinc-Iron Alloy-Coated (Galvannealed) by the Hot-Dip Process
- D. CISCA Ceiling Systems Installation Handbook
- E. GA 216, Installation & Finish of Gypsum Panels
- F. ASTM C645, Standard Specification for Non-Structural Steel Framing Members
- G. ASTM C754, Specification for Installation of Steel Framing Members to Receive Screw-Attach Gypsum Boards
- H. ASTM C843, Specification of Application of Gypsum Veneer Plaster
- I. ASTM C844, Specification of Application of Gypsum Base to Receive Veneer Plaster
- J. ASTM E119, Standard Test Methods for Fire Tests of Building Construction and Materials
- K. Underwriters Laboratories, LLC (UL) Fire Resistance Directory
- L. ASTM E580, Standard Practice for Application of Ceiling Suspension Systems for Acoustical Tile and Layin Panels in Areas Requiring Seismic Restraint
- M. CISCA Recommendations for Direct-Hung Acoustical Tile and Lay-In Panel Ceilings, Seismic Zones 0-2
- N. CISCA Guidelines for Seismic Restraint for Direct-Hung Suspended Ceiling Assemblies, Seismic Zones 3-4
- O. ASTM C1396, Standard Specification for Gypsum Wallboard
- P. ASTM C1002, Standard Specification for Steel Self-Piercing Tapping Screws for the Application of Gypsum Panel Products or Metal Plaster Bases to Wood Studs or Steel Studs

1.05 Submittal

- A. Samples: Submit actual samples and technical data for suspension system main tees and cross tees for review.
- B. Shop Drawings:
 - 1. Reflected ceiling plans: Submit ceiling suspension system layout indicating dimensions, lighting fixture locations and related mechanical components.
 - 2. Assembly drawings: Indicate installation details, accessory attachments, and installation of related lighting fixtures and related mechanical system components.
- C. Manufacturer's Data:
 - 1. System details: Submit manufacturer's catalog cuts or standard drawing showing details of system with project conditions clearly identified and manufacturer's recommended installation instructions.

APPLICATION GUIDE SPECIFICATIONS

FLAT DRYWALL CEILINGS

1.06 Delivery, Storage and Handling

- A. Delivery of materials: Deliver materials in original, unopened packages clearly labeled with a manufacturer's name, item description, part number, type and class, as applicable.
- B. Inspection: Promptly inspect delivered materials, file freight claims for damage during shipment and order replacement of materials as required. Any damaged materials should be promptly removed from the job site.
- C. Storage: Store in a manner that will prevent warpage, water damage or damage of any kind. Prevent interference to/by other trades and any other adverse job conditions due to storage locations or methods.
Warning: Store all USG Sheetrock® Brand Gypsum Panels flat. Panels are heavy and can fall over, causing serious injury or death. Do not move unless authorized.
- D. Handling: Handle in such a manner to prevent racking, distortion or physical damage of any kind.

1.07 Project Conditions

- A. Existing conditions: (include specific alteration work requirements for the project).
- B. Environmental requirements:
 - 1. Building Conditions: Building shall be enclosed with all windows and exterior doors in place and glazed, and roof watertight before installation of suspension system.
 - 2. Interior temperature/humidity in building: Conditions in areas to receive Drywall Suspension Systems shall range from 60° F (16° C) to 104° F (40° C) and relative humidity of not more than 90% shall be maintained before installation of components.
 - 3. In cold weather during gypsum panel installation and joint-finishing and veneer-plaster application, temperatures within the building shall be maintained in the range of 55-70° F (13-21° C). Heat and ventilation should be evenly provided to facilitate curing and drying.
- C. Coordination with other work:
 - 1. General: Coordinate with other work supported by or penetrating through the ceiling, including mechanical and electrical work and partition systems.
 - 2. Mechanical work: Ductwork above system shall be complete and permanent HVAC systems operating.
 - 3. Electrical Work: Installation of conduit above suspension system shall be complete before installation of suspension system.
- D. Protection:
 - 1. Personnel: Follow good safety and industrial hygiene practices during handling and installing of all products and systems, with personnel taking necessary precautions and wearing appropriate personal protective equipment as needed. Read material safety data sheets and related literature for important information on products before installation. Contractor to be solely responsible for all personal safety issues during and subsequent to installation. Architect, specifier, owner and manufacturer will rely on contractor's performance in these matters.

2.01 Manufacturer

- A. USG Drywall Suspension System.
 - B. USG Sheetrock® Brand gypsum products, panels and accessories (regular, lightweight, Firecode, Firecode C). See Gypsum Products: Panels and Accessories (SA92) for specifications.
 - C. USG Sheetrock® Brand joint tape, joint compounds, trim, and accessories. See USG Sheetrock® Brand Interior Finishing Products (J1424) for specifications.
 - D. USG Imperial® Brand gypsum base. See (SA920) for specification. All manufactured by USG, Chicago, IL USA. Manufactured in accordance with ASTM C588, Standard Specification for Gypsum Base for Veneer Plasters.
 - E. USG Fiberock® Brand Aqua-Tough™ interior panels. See Moisture-Resistant Assemblies (SA934) for specifications.
 - F. USG Durock® Brand cement board. See Moisture-Resistant Assemblies (SA934) for specifications.
-

APPLICATION GUIDE SPECIFICATIONS

FLAT DRYWALL CEILINGS

PART 2 PRODUCTS

2.02

Materials

- A. Commercial-quality, cold-rolled steel, hot-dipped galvanized finish
- B. USG Flat Drywall Suspensions Systems:
 - 1. Main Tees: Fire-Rated Heavy Duty classification, 144" long, with integral reversible splice with knurled face.
DGLW26 1-1/2" Face, 1.617" high
 - 2. Cross Members: Fire-Rated members with knurled face.
Cross Tees: DGLW424 cross-tee 1-1/2" high x 48" long with 1-1/2" wide face. Tees must have quickrelease cross-tee ends to provide positive locking and removability without the need for tools.
 - 3. Accessory Cross Tees: Cross tees must have knurled faces. Cross tees have quick-release cross-tee ends to provide positive locking and removability without the need for tools.
DGLW224 Fire-Rated 1-1/2" high x 24" long with 1-1/2" face
DGLW424 Fire-Rated 1-1/2" high x 48" long with 1-1/2" face
DGLW624 Fire rated 1-1/2" high x 48" long with 1-1/2" face
 - 4. Wall moldings: Single web with knurled face.
DGWM-24 1"x 1-1/2" x 144" long wall molding
DGCM-27E 144"x 1-5/8"x 1" channel molding
DGLC-12 144"x 1-3/4"x 1" index channel
- C. Accessories
 - 1. Transition clip DGTC-90
 - 2. Splice clip DGSC-180
 - 3. Wall attachment clip DGWC
 - 4. Splice plate DGSP
 - 5. Dome hub DGHUB
 - 6. Close Mount Attachment Clip - CMAC-1
 - 7. Compàsso drywall clip DGC4, DGC6, DGC8
- D. USG Compàsso trim
 - 1. 4" Compàsso trim: 4" wide face, 9/16" horizontal legs with hems formed for attachment to the Compàsso mounting clip, commercial-quality cold-rolled 24-gauge steel with factory finish.
 - 2. 6" Compàsso trim: 6" wide face, 9/16" horizontal legs with hems formed for attachment to the Compàsso mounting clip, commercial-quality cold-rolled 24-gauge steel with factory finish.
 - 3. 8" Compàsso trim: 8" wide face, 9/16" horizontal legs with hems formed for attachment to the Compàsso mounting clip, commercial-quality cold-rolled 24-gauge steel with factory finish.
 - 4. 10" Compàsso trim: 10" wide face, 9/16" horizontal legs with hems formed for attachment to the Compàsso mounting clip; commercial-quality cold-rolled 24-gauge steel with factory finish.
 - 5. 12" Compàsso trim: 12" wide face, 9/16" horizontal legs with hems formed for attachment to the Compàsso mounting clip; commercial-quality cold-rolled 24-gauge steel with factory finish.
- E. Gypsum panels
 - 1. Gypsum panels manufactured in accordance with ASTM C36.
 - 2. 1/4", 3/8", 1/2", 5/8" and 3/4" USG Sheetrock® Brand or USG Securock® Brand gypsum panels (Regular, Firecode, Firecode C)
- F. USG Sheetrock® Brand drywall accessories: trims, expansion joints, sealants, joint compound materials (see USG Gypsum Panels & Accessories Specifications SA927 09250)

APPLICATION GUIDE SPECIFICATIONS

FLAT DRYWALL CEILINGS

PART 3 EXECUTION

2.03 Metal, Paper or Plastic Trim	<ul style="list-style-type: none">A. Corner Reinforcement: Minimum #26 gauge, zinc alloy with or without paper flanges or plastic bead.B. Casing Reinforcement: Minimum #24 gauge, zinc alloy or plastic with expanded flanges.C. Control Joints: Minimum #26 gauge, zinc alloy .093, extruded aluminum or plastic with expanded flanges.
--------------------------------------------------	---------------------------------------------------------------------------------------------------------------------------------------------------------------------------------------------------------------------------------------------------------------------------------------------------------------------------------------------------------------------------

2.04 Fasteners	<ul style="list-style-type: none">A. Conventional Gypsum Panel fasteners (ASTM C1002): No. 6 Type-S, HiLo bugle head, self-drilling, self-tapping steel screws.
---------------------------	-------------------------------------------------------------------------------------------------------------------------------------------------------------------------------

3.01 Inspection	<ul style="list-style-type: none">A. Examine areas to receive materials for conditions that will adversely affect installation. Provide written report of unacceptable surface.B. Do not start work until unsatisfactory conditions are corrected.C. Work to be concealed: Verify work above ceiling suspension system is complete and installed in manner that will not affect layout and installation of suspension system components.D. Beginning of installation shall signify acceptance of conditions in areas to receive ceiling suspension system.F. Fire-rating requirements: Construction above fire-rated assembly shall meet requirements as applicable to provide fire-resistance rating specified above in Part 2-Products.
----------------------------	---------------------------------------------------------------------------------------------------------------------------------------------------------------------------------------------------------------------------------------------------------------------------------------------------------------------------------------------------------------------------------------------------------------------------------------------------------------------------------------------------------------------------------------------------------------------------------------------------------------------------------------------------------------------------------------------------------------------------------------------------------------------------------------------

3.02 Preparation	<ul style="list-style-type: none">A. Field dimensions must be verified prior to installation.
-----------------------------	-------------------------------------------------------------------------------------------------------------

3.03 Installation	<ul style="list-style-type: none">A. Standard reference: Install in accordance with ASTM C636, CISCA installation standards and other applicable Installation code references.B. Manufacturer's reference: Install in accordance with manufacturer's current printed recommendations.C. Drawing reference: Install in accordance with approved shop drawings and locate ceiling in accordance with main-tee dimensions relative to elevations.D. Component and hanger-wire installation:<ul style="list-style-type: none">Flat Ceilings: Main tees shall be spaced a maximum of 48" or 72" on center depending on cross-tee layout selected and supported by hanger wires spaced a maximum 48" on center or as specified by UL Fire Resistance Directory, attaching hanger wires directly to structure above. Cross tees shall be spaced per recommendations and/or as specified by UL Fire Resistance Directory.Transitions: Changes in Elevation in Soffit and Fascia Ceiling Applications. When constructing stepped soffits, bracing of the Drywall Suspension System and/or additional hanger wires may be necessary to ensure stability and structural performance during and after drywall attachment. The maximum vertical soffit height is 48". (Maximum unsupported drywall area shall not exceed 48"x 24"). Intermediate cross tees are not necessary when soffit dimensions do not exceed 24". Cross-tee spacing in horizontal soffit plane is not to exceed 24". Intermediate cross tees may be necessary to maintain visually acceptable drywall planes and drywall corners.General hanger wire notes: Hanger wires are required within 12" on both sides of a pivoted splice clip. At least 1 hanger wire is required within 12" of a transition clip.Limitations: Do not support wires from mechanical and/or electrical equipment occurring above ceiling.E. Accessories: Install accessories as applicable to meet project requirements.
------------------------------	-----------------------------------------------------------------------------------------------------------------------------------------------------------------------------------------------------------------------------------------------------------------------------------------------------------------------------------------------------------------------------------------------------------------------------------------------------------------------------------------------------------------------------------------------------------------------------------------------------------------------------------------------------------------------------------------------------------------------------------------------------------------------------------------------------------------------------------------------------------------------------------------------------------------------------------------------------------------------------------------------------------------------------------------------------------------------------------------------------------------------------------------------------------------------------------------------------------------------------------------------------------------------------------------------------------------------------------------------------------------------------------------------------------------------------------------------------------------------------------------------------------------------------------------------------------------------------------------------------------------------------------------------------------------------------------------------------------------------------------------------------------------------------------------------------------------------------------------------------------------------------------------------------------------------------------------------------------------------------------------------------------------------------------------------------------------------------------

APPLICATION GUIDE SPECIFICATIONS

FLAT DRYWALL CEILINGS

3.04 Gypsum Panel Installation

- A. Apply gypsum panels first to ceiling and then to walls. Position all ends and edges of gypsum panels at framing members. Extend ceiling board to corners and make firm contact with the wall angle, channel or top plate. To minimize end joints, use panels of maximum practical lengths. Fit ends and edges closely, but do not force together.
- B. Cut ends and edges, scribe or make cutouts within the field of panels in a workmanlike manner. Cut gypsum board to size using a knife and straight edge.
- C. Attach gypsum panels to the suspension system main runners, cross tees and cross channels with conventional gypsum panel fasteners (No. 6 Type S HiLo bugle head, self-drilling, self-tapping steel screws) spaced 8" OC at periphery of gypsum panels and located 3/8" in from panel edges and spaced 12" OC in the field. Drive fasteners in field of panels first, working toward ends and edges. Hold panels in firm contact with framing while driving fasteners. Drive fastener heads slightly below surface of gypsum panels without breaking face paper. (See Gypsum Panel and Accessories Specification SA927 09250.) Install trim at all internal and external angles formed by the intersection of panel surfaces or other dissimilar materials. Apply corner reinforcement to all vertical or horizontal external corners in accordance with directions.

Ceilings note:

Spacing of drywall grid is designed to support only the dead load. Heavy, concentrated loads should be independently supported. Lighting fixtures or troffers, air vents and other equipment should be separately supported from the structure; gypsum panels will not support these items. To prevent objectionable sag in new gypsum panel ceilings, the weight of overlaid unsupported insulation should not exceed 1.3 psf for 1/2" thick gypsum panels with spacing of 24" OC; 2.2 psf for 1/2" thick gypsum panels 16" OC framing and 1/2" USG Sheetrock® Brand UltraLight panels on 24" OC framing and 5/8" panels 24" OC; 3/8" thick gypsum panels must not be overlaid with unsupported insulation. A vapor retarder should be installed in exterior ceilings, and plenum or attic spaces should be properly vented. During periods of cold or damp weather when a polyethylene vapor retarder is installed on ceilings behind the gypsum panels, it is important to install the ceiling insulation before or immediately after installing the gypsum panels. Failure to follow this procedure may result in moisture condensation in the back of the gypsum panels, causing sag.

- E. Spray-Textured Ceilings: Where water-based texturing materials or any slow-drying surface treatment is used over single-layer panels, maximum frame spacing is 16" OC for standard 1/2" panels applied perpendicular to framing, 24" for 1/2" USG Sheetrock® Brand UltraLight Panels.

3.05 Expansion Joints

- A. Provide a separation in the suspension system at expansion joints as shown on the drawings and carry the joint through the gypsum panels. Expansion joints are installed to separate the suspension system and allow for movement in large ceiling areas.

3.06

- A. Provide control joint No. 093, which has a 3/32" ground for drywall and veneer plaster. Ceiling areas should not exceed 2,500 sq. ft. with perimeter relief or 900 sq. ft. without perimeter relief.
Note to specifier: The following specification for USG Ceiling Suspension products and plaster products is a guide for specifying a plastered dome composed of a finished curved surface having single radius of curvature. Delete such items that are not related to the particular project. Where blank spaces are provided, insert information pertinent to the project for which the specification is prepared.

APPLICATION GUIDE SPECIFICATIONS

DOMES

PART 1 GENERAL

1.01 Scope	Specify areas to receive these systems.
1.02 Related Work	Related work specified elsewhere: 1. Air Handling: Section _____ 2. Lighting: Section _____ 3. Acoustical: Section _____
1.03 System Description	A pre-engineered Drywall Suspension System consisting of curved suspension grid that joins together to support screw attached metal lath, with an application of high-strength conventional plaster, forming curved domes.
1.04 Quality Assurance	A. Subcontractor qualification: Installer shall have successful experience installing suspension and plaster systems. B. Requirements of regulatory agencies: Codes and regulations of authorities having jurisdiction. C. Source quality control: Manufacturer will provide test certification for suspension systems as required to meet applicable industry standards and/or standards specified by various agencies.
1.05 References	A. ASTM C636, Recommended Practice for Installation of Metal Suspension Systems References B. Cisca Ceiling Systems Installation Handbook C. ASTM C28, Specification for Gypsum Plasters D. ASTM C847, Specification for Metal Lath E. ASTM C841, Specification for Installation of Interior Lathing & Furring F. ASTM C842, Specification for Application of Interior Gypsum Plaster
1.06 Submittal	A. Shop Drawings: 1. Reflected ceiling plans: Submit ceiling suspension system layout indicating dimensions, hanger wires, lighting fixture locations and related mechanical components. 2. Assembly drawings: Indicate installation details, accessory attachments, and installation of related lighting fixtures and related mechanical system components. B. Manufacturer's Data: 1. System Details: Submit manufacturer's catalog cuts or standard drawing showing details of system with project conditions clearly identified and manufacturer's recommended installation instructions.
1.07 Delivery, Storage and Handling	A. Delivery of Materials: Deliver materials in original, unopened packages clearly labeled with a manufacturer's name, item description, part number and type class, as applicable. B. Inspection: Promptly inspect delivered materials, file freight claims for damage during shipment and order replacement materials as required. Any damaged materials shall be promptly removed from the job site. C. Storage: Store in a manner that will prevent water damage or damage of any kind. Prevent interference to/by other trades and any other adverse job conditions due to storage locations or methods. Warning: Store all USG Sheetrock® Brand gypsum panels flat. Panels are heavy and can fall over, causing serious injury or death. Do not move unless authorized. D. Handling: Handle in such a manner to prevent racking, distortion or physical damage of any kind.

APPLICATION GUIDE SPECIFICATIONS

DOMES

PART 2 PRODUCTS

1.08 Project Conditions

- A. Environmental Requirements:
 - 1. Building Conditions: Building shall be enclosed, with all windows and exterior doors in place and glazed and roof watertight before installation of suspension system and plaster.
 - 2. Temperatures within the building shall be maintained in the range of 55-70° F (13-21° C). Heat and ventilation shall be evenly provided to facilitate drying.
- B. Coordination with Other Work:
 - 1. General: Coordinate with other work supported by or penetrating through the dome, including mechanical and electrical work.
 - 2. Mechanical work: Ductwork above system shall be complete and permanent HVAC systems operating.
 - 3. Electrical work: Installation of conduit above suspension system shall be complete before installation of suspension system
- C. Protection: Follow good safety and industrial hygiene practices during handling and installing of all products and systems, to take necessary precautions and wearing appropriate personal protective equipment as needed. Read Material Safety Data Sheets and related literature for important information on products before installation. Contractor to be solely responsible for all personal safety issues during and subsequent to installation; architect, specifier, owner and manufacturer will rely on contractor's performance in these matters.

2.01 Materials

- A. USG Drywall Suspension System
 - B. Structo-Base® gypsum plaster
 - C. Structo-Gauge® gauging plaster
 - D. USG Red-Top® Brand finish plaster
 - E. Diamond® interior finish plaster
 - All manufactured by USG, Chicago, IL, USA, in compliance with ASTM Standards.
 - F. Factory-curved, 1-1/2" x 1-1/2" USG drywall grid with knurled face—commercial-quality, cold-rolled steel, hot-dipped galvanized finish. Cross-tee holes spaced 8" OC. Manufacturer's designation DGW__VT__
 - G. Wire
 - 1. Hanger wire-12 gauge, 8 gauge, galvanized
 - 2. Tie wire-18 gauge, galvanized
 - H. Metal lath: 3.4 #/S.Y. self-furring diamond mesh lath, galvanized
 - I. Screws-Self-tapping truss-head lathing screws
 - J. Gypsum plaster: Structo-Base gypsum plaster
 - K. Sand: ASTM C35
 - L. Water: Clean and potable
 - M. Finish plaster: To be determined
 - N. Dome hub and connecting clips
 - O. Casing and corner beads as required
 - P. Accessories as applicable to project requirements
-

APPLICATION GUIDE SPECIFICATIONS

DOMES

PART 3 EXECUTION

3.01 Inspection

- A. Examine areas to receive materials for conditions that will adversely affect installation. Provide written report of unacceptable surface.
- B. Do not start work until unsatisfactory conditions are corrected.
- C. Work to be concealed: Verify work above ceiling suspension system is complete and installed in manner that will not affect layout and installation of suspension system components.
- D. Beginning of installation shall signify acceptance of conditions in areas to receive ceiling suspension system.
- E. Field dimensions must be verified prior to installation.

3.02 Installation

- A. Standard reference: Install grid members in accordance with ASTM C636.
- B. Follow CISCA installation standards or other applicable code or manufacturer's references.
- C. Manufacturer's reference: Install in accordance with manufacturer's current printed recommendations.
- D. Drawing reference: Install in accordance with approved shop drawings and locate ceiling in accordance with main-tee dimensions relative to elevations.
- E. Hanger Wire Installation: Hanger wires are required along the radial suspension members (spokes) spaced no more than 32" as measured along the arc of the member. Install additional hanger wires to upper structural elements. Do not support hangers from mechanical and/or electrical equipment.
- F. Space radial spoke members so as not to exceed 48" spacing at any point.
- G. Space cross-tee members so the maximum span of metal lath is 16".
- H. Secure metal lath to tee members with screws spaced 6" OC max., applied at lath ribs. Lap metal lath ends and edges and secure with 18-gauge tie wire spaced 6" OC.
- I. Mix Structo-Base® gypsum plaster with sand in proportions of 2 cu. ft. of sand per 100 lbs. of plaster for scratch and brown coats. Apply plaster to metal lath to a thickness of 5/8" (min.) Measure from the face of the lath.
- J. Select a plaster mix for the finish coat to provide a smooth trowel or sand float (textured) finish (Reference SA 920).
- K. Use template(s) to ensure uniform and even curvature of the finished surface.

Note to specifier: The following specification for the USG Drywall Suspension System is a guide for specifying curved drywall ceilings. Delete such items that are not related to the particular project. Where blank spaces occur, provide information to the particular project for which the specification is prepared.

APPLICATION GUIDE

SPECIFICATIONS

CURVED DRYWALL CEILINGS

PART 1
GENERAL

1.01 Related Work	<p>A. Related work specified elsewhere:</p> <ol style="list-style-type: none"> 1. Gypsum Board: Section _____ 2. Air Handling: Section _____ 3. Lighting: Section _____ 4. Acoustical: Section _____ <p>B. Work installed but furnished under other sections: _____</p> <p>C. Work installed but furnished under other sections: _____</p>
1.02 System Description	<p>A. A pre-engineered Drywall Suspension System consisting of straight and curved main tees along with straight furring cross channels or cross tees, which join together to support screw attached gypsum panels and independently supported light fixtures, and air diffusers, where applicable. Where applicable, installed systems must conform to Underwriters Laboratories, LLC (UL) Fire Resistance Design No. and other applicable codes.</p>
1.03 Quality Assurance	<p>A. Subcontractor qualification: Installer shall have successful experience installing suspension and drywall systems.</p> <p>B. Requirements of regulatory agencies: Codes and regulations of authorities having jurisdiction.</p> <p>C. Source quality control: Manufacturer will provide test certification for suspension systems as required to meet performance standards specified by various agencies.</p>
1.04 References	<ol style="list-style-type: none"> A. ASTM C635, Standard Specifications for Metal Suspension Systems B. ASTM C636, Recommended Practice for Installation of Metal Suspension Systems C. CISCA Ceiling Systems Installation Handbook D. GA 216, Installation & Finish of Gypsum Panels E. ASTM C645, Standard Specification for Non-Structural Steel Framing Members F. ASTM C754, Specification for Installation of Steel Framing Members to Receive Screw-Attach Gypsum Boards G. ASTM C843, Specification of Application of Gypsum Veneer Plaster H. ASTM C844, Specification of Application of Gypsum Base to Receive Veneer Plaster I. ASTM E119, Standard Test Methods for Fire Tests of Building Construction and Materials J. Underwriters Laboratories Inc. (UL) Fire Resistance Directory
1.05 Submittal	<p>A. Samples: Submit actual samples and technical data for suspension system main tees and cross tees for review.</p> <p>B. Shop drawings:</p> <ol style="list-style-type: none"> 1. Reflected ceiling plans: Submit ceiling suspension system layout indicating dimensions, lighting fixture locations and related mechanical components. 2. Assembly drawings: Indicate installation details, accessory attachments, and installation of related lighting fixtures and related mechanical system components. <p>C. Manufacturer's Data:</p> <ol style="list-style-type: none"> 1. System details: Submit manufacturer's catalog cuts or standard drawing showing details of system with project conditions clearly identified and manufacturer's recommended installation instructions.

APPLICATION GUIDE

SPECIFICATIONS

CURVED DRYWALL CEILINGS

1.06 Delivery, Storage and Handling

- A. Delivery of materials: Deliver materials in original, unopened packages clearly labeled with a manufacturer's name, item description, part number, type and class as applicable.
- B. Inspection: Promptly inspect delivered materials, file freight claims for damage during shipment and order replacement of materials as required. Any damaged materials shall be promptly removed from the job site.
- C. Storage: Store in a manner that will prevent warpage, water damage or damage of any kind. Prevent interference to/by other trades and any other adverse job conditions due to storage locations or methods.
Warning: Store all USG Sheetrock® Brand gypsum panels flat. Panels are heavy and can fall over, causing serious injury or death. Do not move unless authorized.
- D. Handling: Handle in such a manner to prevent racking, distortion or physical damage of any kind.

1.07 Project Conditions

- A. Existing conditions: include specific alteration work requirements for the project.
- B. Environmental requirements:
 - 1. Building conditions: Building shall be enclosed with all windows and exterior doors in place and glazed and roof watertight before installation of suspension system.
 - 2. Interior temperature/humidity in building: Conditions in areas to receive Drywall Suspension Systems shall range from 60° F (16° C) to 104° F (40° C) and relative humidity of not more than 90% shall be maintained before installation of components.
 - 3. In cold weather during gypsum panel installation and joint finishing and veneer plaster application, temperatures within the building shall be maintained in the range of 55-70° F (13-21° C). Heat and ventilation should be evenly provided to facilitate curing and drying.
- C. Coordination with other work:
 - 1. General: Coordinate with other work supported by or penetrating through the ceiling, including mechanical and electrical work and partition systems.
 - 2. Mechanical work: Ductwork above system shall be complete and permanent HVAC systems operating.
 - 3. Electrical work: Installation of conduit above suspension system shall be complete before installation of suspension system.
- D. Protection:
 - 1. Personnel: Follow good safety and industrial hygiene practices during handling and installing of all products and systems, with personnel taking necessary precautions and wearing appropriate personal protective equipment as needed. Read material safety data sheets and related literature for important information on products before installation. Contractor to be solely responsible for all personal safety issues during and subsequent to installation; architect, specifier, owner and manufacturer will rely on contractor's performance in these matters.

2.01 Manufacturer

- A. USG Drywall Suspension System.
 - B. USG Sheetrock® Brand gypsum panels (Regular, Firecode, Firecode C) and 1/2" USG Sheetrock® Brand interior gypsum ceiling board.
 - C. USG Sheetrock® Brand joint tape, joint compounds, trim and accessories (see USG Gypsum Panels and Accessories SA927-09250 Specification).
 - D. USG Imperial® Brand gypsum base (see USG Plaster Systems Specification SA920-0920). All manufactured by USG, Chicago, IL, USA. Manufactured in accordance with ASTM C635.
-

APPLICATION GUIDE

SPECIFICATIONS

CURVED DRYWALL CEILINGS

2.02

Materials

- A. Commercial-quality, cold-rolled steel, hot-dipped galvanized finish
 - B. USG Flat Drywall Suspension Systems:
 - 1. Main tees: Heavy Duty classification 1-1/2" high with 1-1/2" wide face
Vault Main Tees: DGW6VT
Valley Main Tess: DGW6VY
 - 2. Cross members: Fire-Rated members with knurled face.
Cross Tees: DGLW-424 cross tee 1-1/2" high x 48" long with 1-1/2" wide face. Tees must have quickrelease cross-tee ends to provide positive locking and removability without the need for tools.
 - 3. Accessory cross tees: Cross tees must have knurled faces. Cross tees have quick-release cross-tee ends to provide positive locking and removability without the need for tools.
DGLW224 Fire-Rated 1-1/2" high x 24" long with 1-1/2" face
DGLW424 Fire-Rated 1-1/2" high x 48" long with 1-1/2" face
 - C. USG Curved Drywall Suspension Systems:
 - 1. Valley tees (face of grid convex): 1-1/2" high x 1-1/2" knurled face with partially corrugated bulb and cross-tee holes at 8" OC Made of hot-dipped galvanized steel.
 - 2. Vault tees (face of grid concave): 1-1/2" high x 1-1/2" knurled face with cross-tee holes at 8" OC made of hot-dipped galvanized steel.
 - D. Accessories
 - 1. Transition clip DGTC-90
 - 2. Splice clip DGSC-180
 - 3. Wall attachment clip DGWC
 - 4. Splice plate
 - 5. Hub DGHUB
 - 6. Close Mount Attachment Clip CMAC-1
 - E. Gypsum panels
 - 1. Gypsum panels manufactured in accordance with ASTM C36.
 - 2. 1/4", 3/8", 1/2", 5/8" USG Sheetrock® Brand gypsum panels (Regular, Firecode, Firecode C) (see USG Drywall/Steel Framed Systems Specifications—SA923 09250-USG-3).
 - F. USG Sheetrock® Brand drywall accessories: trims, expansion joints, sealants, joint compound materials (see USG Gypsum Panels & Accessories Specifications SA927 09250).
-

2.03

Metal, paper or Plastic Trim

- A. Corner bead: Minimum #26 gauge, zinc alloy with or without paper flanges or plastic bead.
 - B. Casing bead: Minimum #24 gauge, zinc alloy or plastic with expanded flanges.
 - C. Control joints: Minimum #26 gauge, zinc alloy, extruded aluminum or plastic with expanded flanges.
-

2.04

Fasteners

- A. Conventional gypsum panel fasteners (ASTM C1002). No. 6 Type-S, HiLo bugle head, self-drilling, Fasteners self-tapping steel screws.
-

APPLICATION GUIDE

SPECIFICATIONS

CURVED DRYWALL CEILINGS

PART 3 EXECUTION

3.01 Inspection	<p>A. Examine areas to receive materials for conditions that will adversely affect installation. Provide written report of unacceptable surface.</p> <p>B. Do not start work until unsatisfactory conditions are corrected.</p> <p>C. Work to be concealed: Verify work above ceiling suspension system is complete and installed in manner that will not affect layout and installation of suspension system components.</p> <p>D. Beginning of installation shall signify acceptance of conditions in areas to receive ceiling suspension system.</p>
----------------------------	---------------------------------------------------------------------------------------------------------------------------------------------------------------------------------------------------------------------------------------------------------------------------------------------------------------------------------------------------------------------------------------------------------------------------------------------------------------------------------------------------------------------------------------------------------

3.02 Preparation	<p>A. Field dimensions must be verified prior to installation.</p>
-----------------------------	--------------------------------------------------------------------

3.03 Installation	<p>A. Standard reference: Install in accordance with ASTM C636, CISCA installation standards and other applicable code references</p> <p>B. Manufacturer's reference: Install in accordance with manufacturer's current printed recommendations.</p> <p>C. Drawing reference: Install in accordance with approved shop drawings and locate ceiling in accordance with main-tee dimensions relative to elevations.</p> <p>D. Component and hanger-wire installation: Flat ceilings: Main tees shall be spaced a maximum of 48" on center and supported by hanger wires spaced a maximum 48" on center and as specified by UL Fire Resistance Directory, attaching hanger wires directly to structure above. Cross tees shall be spaced per manufacturer's recommendations and as specified by UL Fire Resistance Directory. Curved ceilings: Valley and vault main tees shall be spaced a maximum 48". Hanger wires shall be spaced a maximum 48" for vaults main tees. Hanger wires shall be spaced a maximum 24" for valley main tees. Cross tees shall be spaced as per manufacturer's recommendations. Additional hanger wires may be necessary to stabilize any curved ceiling during and after drywall attachment. Transitions: changes in elevation in soffit and fascia ceiling applications. When constructing stepped soffits, bracing of the Drywall Suspension System and/or additional hanger wires may be necessary to ensure stability and structural performance during and after drywall attachment. The maximum vertical soffit height is 48". (Maximum unsupported drywall area shall not exceed 48" x 24".) Intermediate cross tees are not necessary when bulkhead dimensions do not exceed 24". Cross-tee spacing in horizontal soffit plane is not to exceed 24". Intermediate cross tees may be necessary to maintain visually acceptable drywall planes and drywall corners.</p> <p>E. USG Drywall Suspension System (when used with USG Sheetrock® Brand gypsum panel) lifetime limited warranty: "Lifetime" is defined as the useful life of a ceiling up to a maximum of 30 years. The USG Drywall Suspension System installed without USG Sheetrock® Brand gypsum panels has a 10-year warranty. General hanger wire notes: Hanger wires are required within 12" on both sides of a pivoted splice clip. At least 1 hanger wire is required within 12" of a transition clip. Limitations: Do not support wires from mechanical and/or electrical equipment occurring above ceiling.</p> <p>F. Accessories: Install accessories as applicable to meet project requirements.</p>
------------------------------	-------------------------------------------------------------------------------------------------------------------------------------------------------------------------------------------------------------------------------------------------------------------------------------------------------------------------------------------------------------------------------------------------------------------------------------------------------------------------------------------------------------------------------------------------------------------------------------------------------------------------------------------------------------------------------------------------------------------------------------------------------------------------------------------------------------------------------------------------------------------------------------------------------------------------------------------------------------------------------------------------------------------------------------------------------------------------------------------------------------------------------------------------------------------------------------------------------------------------------------------------------------------------------------------------------------------------------------------------------------------------------------------------------------------------------------------------------------------------------------------------------------------------------------------------------------------------------------------------------------------------------------------------------------------------------------------------------------------------------------------------------------------------------------------------------------------------------------------------------------------------------------------------------------------------------------------------------------------------------------------------------------------------------------------------------------------------------------------------------------------------------------------------------------------------------------------------------------------------------------------------------------------------------------------------------------------------------------------------------------------------------------------------------------------------------------------------------------------------------------------------------------------------------------------------------------------------------------------------------------------------------------------------------------------

3.04 Gypsum Panel Installation	<p>A. Apply gypsum panels first to ceiling and then to walls. Position all ends and edges of gypsum panels at framing members. Extend ceiling board to corners and make firm contact with the wall angle, channel or top plate. To minimize end joints, use panels of maximum practical lengths. Fit ends and edges closely, but do not force together.</p> <p>B. Cut ends and edges, scribe, or make cutouts within the field of panels in a workmanlike manner. Cut gypsum board to size using a knife and straight edge.</p>
-----------------------------------------------	---------------------------------------------------------------------------------------------------------------------------------------------------------------------------------------------------------------------------------------------------------------------------------------------------------------------------------------------------------------------------------------------------------------------------------------------------------------------------------------------------------------------------------

APPLICATION GUIDE SPECIFICATIONS

CURVED DRYWALL CEILINGS

- C. Attach gypsum panels to the suspension system main runners, cross tees and cross channels with conventional gypsum panel fasteners (No. 6 Type S HiLo bugle head, self-drilling, self-tapping steel screws) spaced 8" OC at periphery of gypsum panels and located 3/8" in from panel edges and spaced 12" OC in the field. Drive fasteners in field of panels first, working toward ends and edges. Hold panels in firm contact with framing while driving fasteners. Drive fastener heads slightly below surface of gypsum panels in a uniform dimple without breaking face paper. (See Gypsum Panel and Accessories Specification SA927 09250.)
- D. Install trim at all internal and external angles formed by the intersection of panel surfaces or other dissimilar materials. Apply corner bead to all vertical or horizontal external corners in accordance with manufacturer's directions.

Ceilings note:

Spacing of drywall grid is designed to support only the dead load. Heavy, concentrated loads should be independently supported. Lighting fixtures or troffers, air vents, and other equipment should be separately supported from the structure; gypsum panels will not support these items. To prevent objectionable sag in new gypsum panel ceilings, the weight of overlaid unsupported insulation should not exceed 1.3 psf for 1/2" thick gypsum panels with spacing of 24" OC; 2.2 psf for 1/2" thick gypsum panels 16" OC framing, 1/2" USG Sheetrock® Brand UltraLight interior gypsum ceiling panels on 24" OC framing, and 5/8" panels 24" OC; 3/8" gypsum panels must not be overlaid with unsupported insulation. A vapor retarder should be installed in exterior ceilings, and plenum or attic spaces should be properly vented. During periods of cold or damp weather when a polyethylene vapor retarder is installed on ceilings behind the gypsum panels, it is important to install the ceiling insulation before or immediately after installing the gypsum panels. Failure to follow this procedure may result in moisture condensation in the back of the gypsum panels, causing sag.

- E. Spray-textured ceilings: Where water-based texturing materials or any slow-drying surface treatment is used over single-layer panels, maximum frame spacing is 16" OC for 1/2" panels applied perpendicular to framing, 24" OC for 1/2" USG Sheetrock® Brand UltraLight Panels.

**3.05
Expansion Joints**

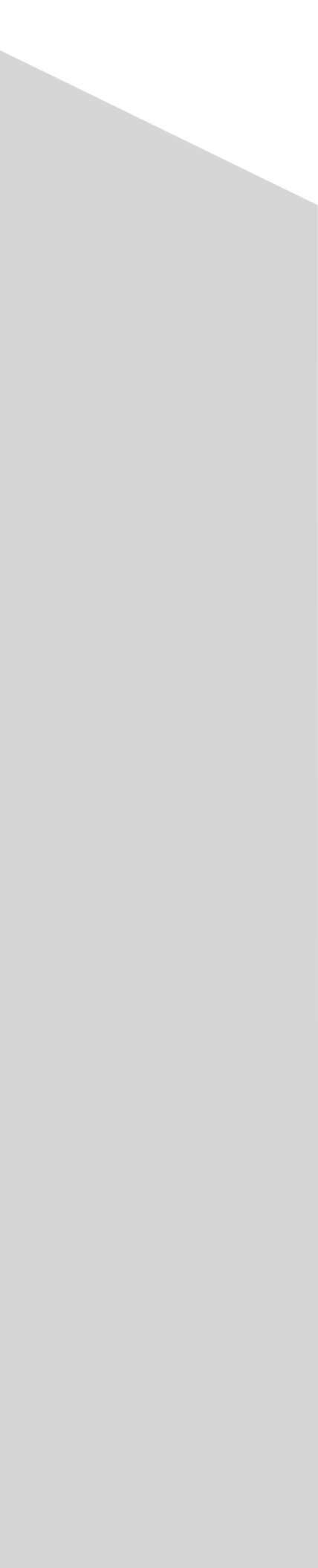
- A. Provide a separation in the suspension system at expansion joints as shown on the drawings and carry the joint through the gypsum panels. Expansion joints are installed between two main tees to separate the suspension system and allow for movement in large ceiling areas.

**3.06
Control Joints**

- A. Provide control joint No. 093, which has a 3/32" ground for drywall and veneer plaster. Ceiling areas should Control Joints not exceed 2,500 sq. ft. with perimeter relief or 900 sq. ft. without perimeter relief.
-

**BEAUTIFUL
RESULTS
EVERY TIME**





Technical Service
800 USG.4YOU

Website
usg.com

Samples/Literature E-mail
samplit@usg.com

Customer Service
800 950.3839

SAFETY FIRST!

Follow good safety and industrial hygiene practices during handling and installation of all products and systems. Take necessary precautions and wear the appropriate personal protective equipment as needed. Read Safety Data Sheets and related literature on products before specification and/or installation.

NOTE

All products described here may not be available in all geographic markets. Consult your local sales office or representative for information.

TRADEMARKS

The trademarks USG, AQUA-TOUGH, CENTRICITEE, COMPASSO, DIAMOND, DONN, DUROCK, DX, DXL, FIBEROCK, FIRECODE, IMPERIAL, LEVELROCK, QUICK-RELEASE, RED-TOP, SECUROCK, SHEETROCK, STRUCTOBASE, STRUCTO-GAUGE, IT'S YOUR WORLD, BUILD IT., the USG logo, and related marks are trademarks of USG Corporation or its affiliates.

NOTICE

We shall not be liable for incidental and consequential damages, directly or indirectly sustained, nor for any loss caused by application of these goods not in accordance with current printed instructions or for other than the intended use. Our liability is expressly limited to replacement of defective goods. Any claim shall be deemed waived unless made in writing to us within thirty (30) days from date it was or reasonably should have been discovered.

AC3152/rev 2-23

© 2023, USG Corporation or its affiliates.
All rights reserved.

Notice

The information in this document is subject to change without notice. CGC Inc. or USG Corp. assumes no responsibility for any errors that may inadvertently appear in this document.

Manufactured by
USG Interiors, LLC
550 West Adams Street
Chicago, IL 60661

